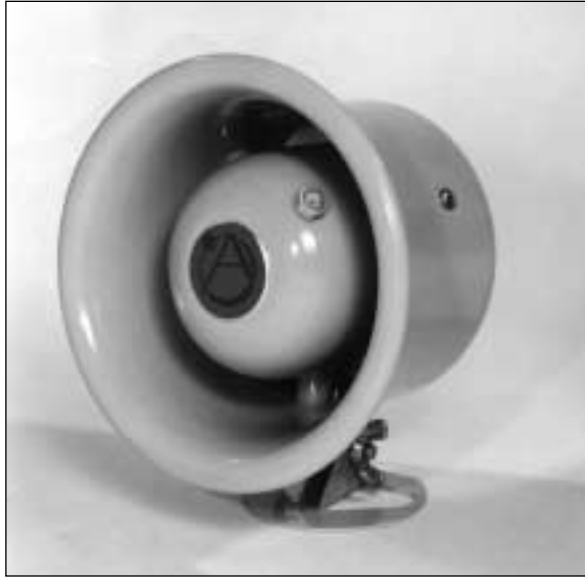




ENVIRONMENT RESISTANT 7.5 WATT MUSIC LOUDSPEAKERS

WR-5AT



WR-5AT

FEATURES

- Economy Loudspeaker for Paging, Music and Signaling
- 7.5 Watts for Localized or Area Communications
- Delivers Extended Frequency Response for Pleasing Sound Reproduction
- Withstands Indoor and Outdoor Environments

APPLICATIONS

Depend on the WR-5AT loudspeaker to reproduce natural sound for indoor or outdoor music, paging, and signaling functions. These competitively priced units are designed for localized area sound distribution wherever a medium power environment resistant loudspeaker is required. Typical applications include walkways, recreation centers, drive-in service lanes, customer service booths, individual workstations, patios, retail and storage areas. These versatile units are also ideally suited as signaling supplements to access control systems and as extension loudspeakers for two-way radio and mobile communication receivers. Multi-position bracket is provided for installation flexibility to walls, ceilings, pole and light posts.

GENERAL DESCRIPTION

Cost-effective reflex loudspeaker Model WR-5AT is 7.5 watt unit, for use where environment resistance and small size are important criteria in equipment selection for localized sound distribution. A specially engineered reflex housing enhances frequency response and optimum efficiency of the cone loudspeaker. Weatherproof treatment and construction allows flexibility and dependable performance in indoor and outdoor installations. Model WR-5AT is equipped with a 70.7/25-volt transformer with screwdriver adjustable watts/impedance switch. Housing is constructed of heavy-gauge spun aluminum with durable light epoxy finish.

MODEL	POWER	FREQUENCY RESPONSE	SOUND LEVEL	DISPERSION	DIMENSIONS	SHIPPING WEIGHT
WR-5AT	7.5 Watts	375 – 10,000 Hz	106.5dB	95°	6" Dia. x 4 1/4"D (152 mm x 102 mm)	2 Lbs. (1 Kg.)

* Measured 4" on axis at rated power

Specifications subject to change without notice



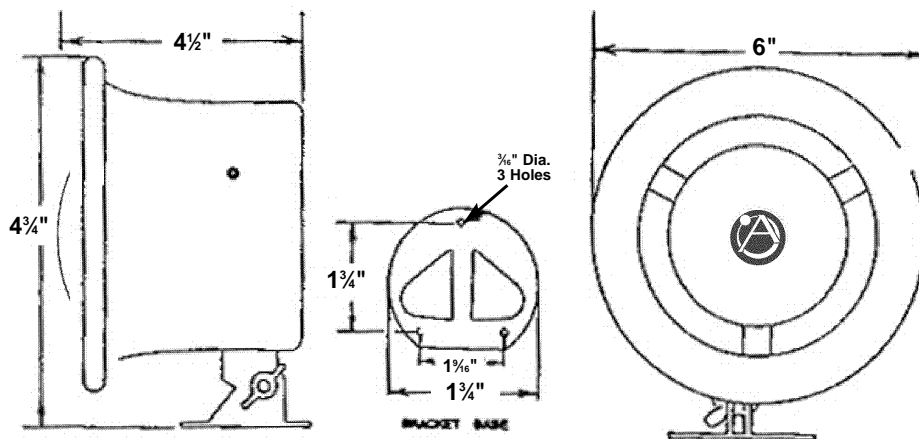
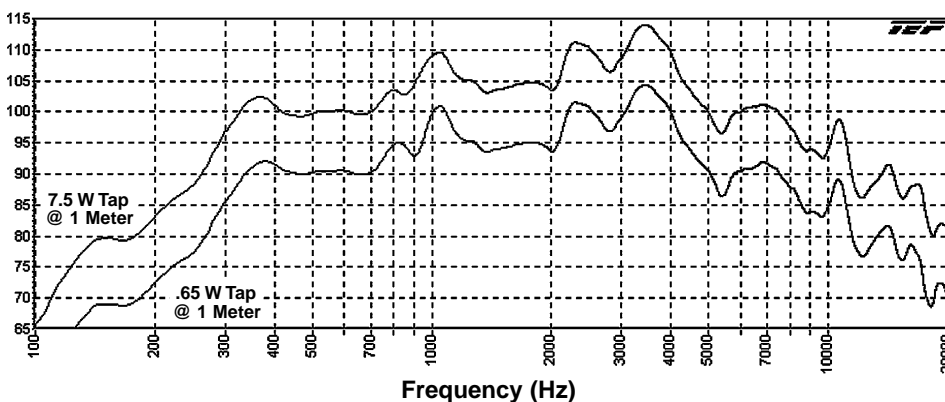
1601 JACK MCKAY BLVD. / ENNIS, TEXAS 75119 U.S.A.
TELEPHONE: (800) 876-3333 / FAX (800) 765-3435

AtlasSound.com

ARCHITECT AND ENGINEER SPECIFICATIONS

Loudspeaker shall be Atlas Sound Model _____ (WR-5AT) or approved equal. Assembly shall include a cone loudspeaker mounted within a reflex housing. All exposed parts shall be stainless steel or plated and sealed. The weatherproof unit shall be constructed of heavy gauge spun aluminum. Audio power rating shall be 7.5 watts with a frequency response of 375-10,000Hz (nominal) 400-7,800 Hz (+5dB). Dispersion angle shall be 95°.

Unit shall produce a sound pressure level of 106.5dB (7.5W/1M), 113dB (1W/1M) when measured 4 ft. on axis at rated power. Loudspeaker shall be equipped with a 70.7 volt line transformer having .65, 1.25, 2.5, 5.0, and 7.5 watt taps for impedance selection of 8000, 4000, 2000, 1000 and 666 ohms. Loudspeaker shall be furnished with adjustable mounting bracket.



Specifications subject to change without notice



1601 JACK MCKAY BLVD. / ENNIS, TEXAS 75119 U.S.A.
 TELEPHONE: (800) 876-3333 / FAX (800) 765-3435

AtlasSound.com