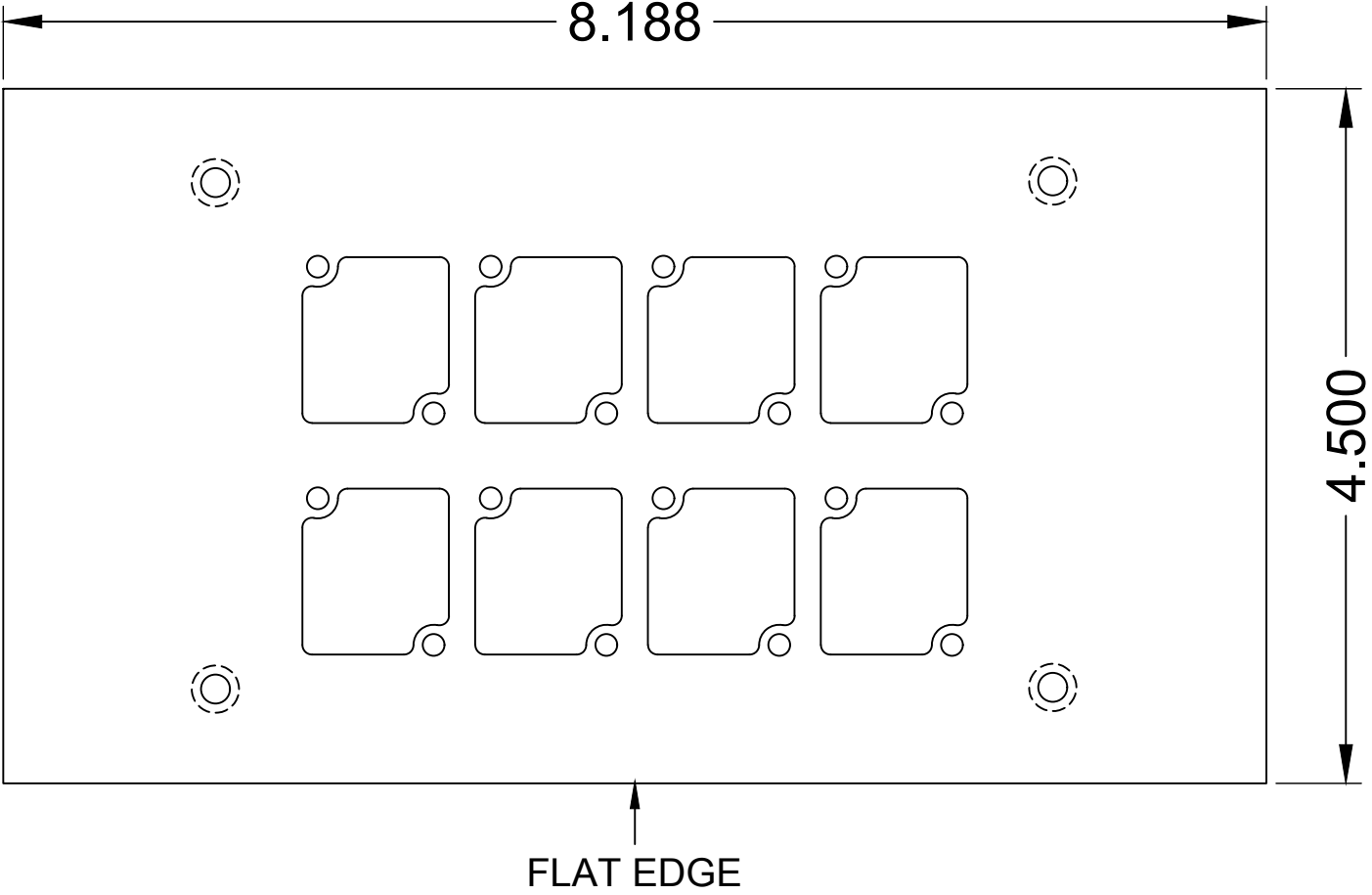
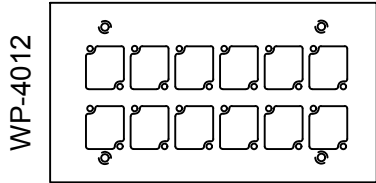
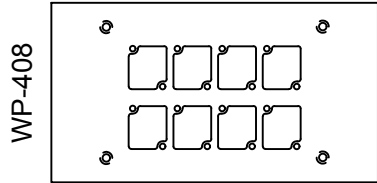
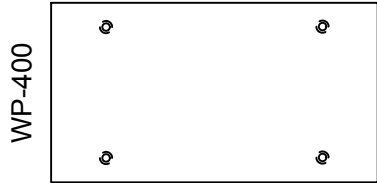


MODEL NO.	<b>WP-408</b>	SERIES	<b>WP-400 SERIES</b>	TYPE	<b>4-GANG WALL PANEL</b>	 PROUDLY MADE IN THE U.S.A.	 Stage Pocket Systems <b>Connectivity</b> www.acebackstage.com
-----------	---------------	--------	----------------------	------	--------------------------	---	--



WP-400 SERIES PANELS



REVISED: 01/2021	MATERIAL:	FINISH:	DESCRIPTION:	REV 1
ALL DIMENSIONS ARE FOR REFERENCE ONLY. ALL DIMENSIONS ARE IN INCHES	1/16" 6061-T6 ALUMINUM	BLACK POWDER COAT, SEMI GLOSS	FOUR-GANG WALL PANEL WITH (8) CONNECTRIX CUTOUTS.	SHEET 1 OF 1