

MODEL NO.

WP-400

SERIES

WP-400 SERIES

TYPE

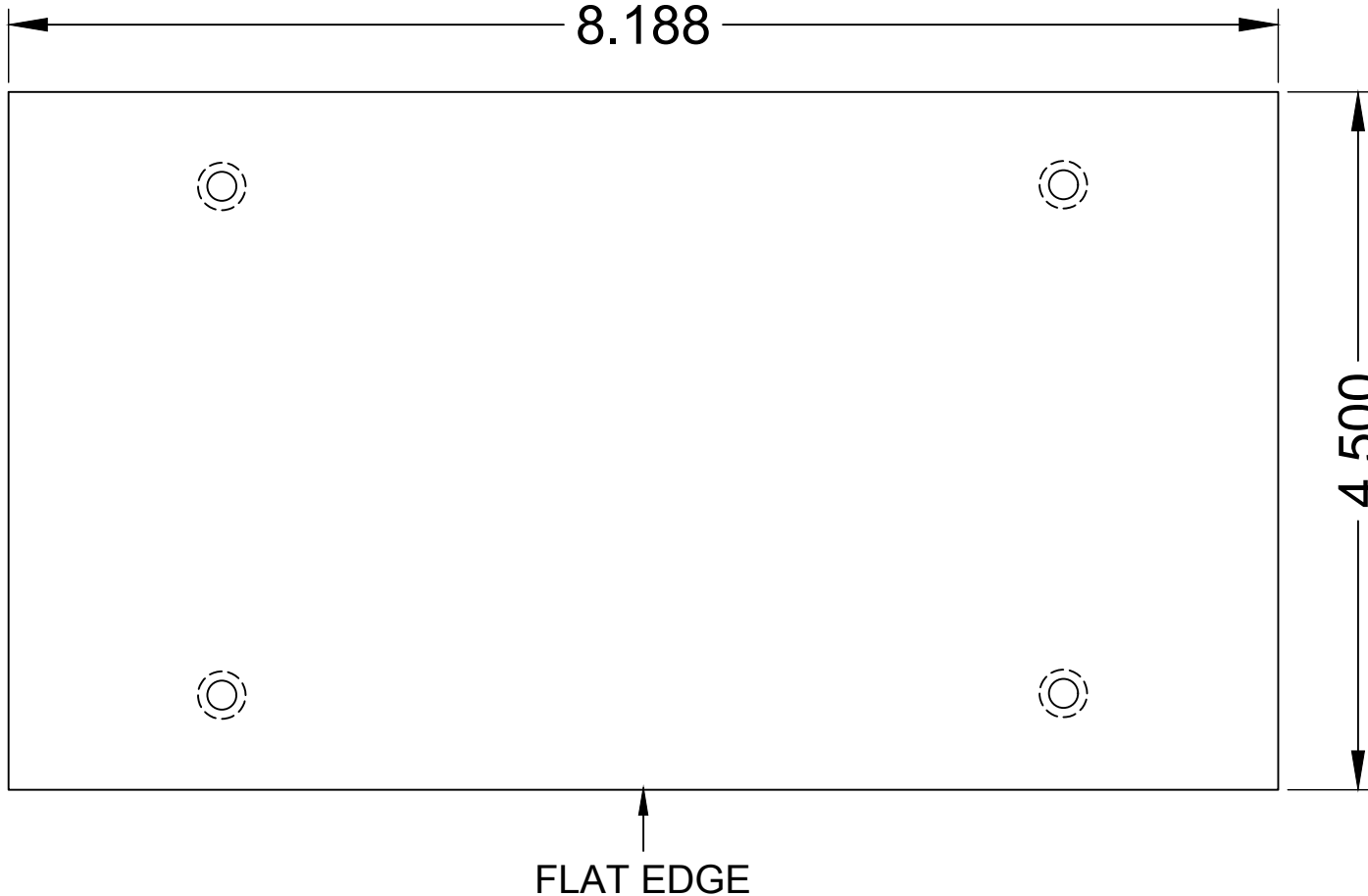
4-GANG WALL PANEL



PROUDLY MADE IN THE U.S.A.



ACE BACKSTAGE CO
Stage Pocket Systems Connectivity
www.acebackstage.com

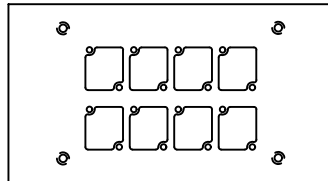


WP-400 SERIES PANELS

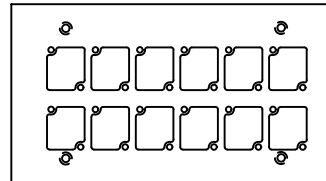
WP-400



WP-408



WP-4012



REVISED: 01/2021

MATERIAL:

1/16" 6061-T6 ALUMINUM

FINISH:

BLACK POWDER COAT, SEMI GLOSS

DESCRIPTION:

FOUR GANG WALL PANEL, BLANK.

REV 1

SHEET 1 OF 1

ALL DIMENSIONS ARE FOR REFERENCE ONLY. ALL DIMENSIONS ARE IN INCHES

MODEL NO.

WP-408

SERIES

WP-400 SERIES

TYPE

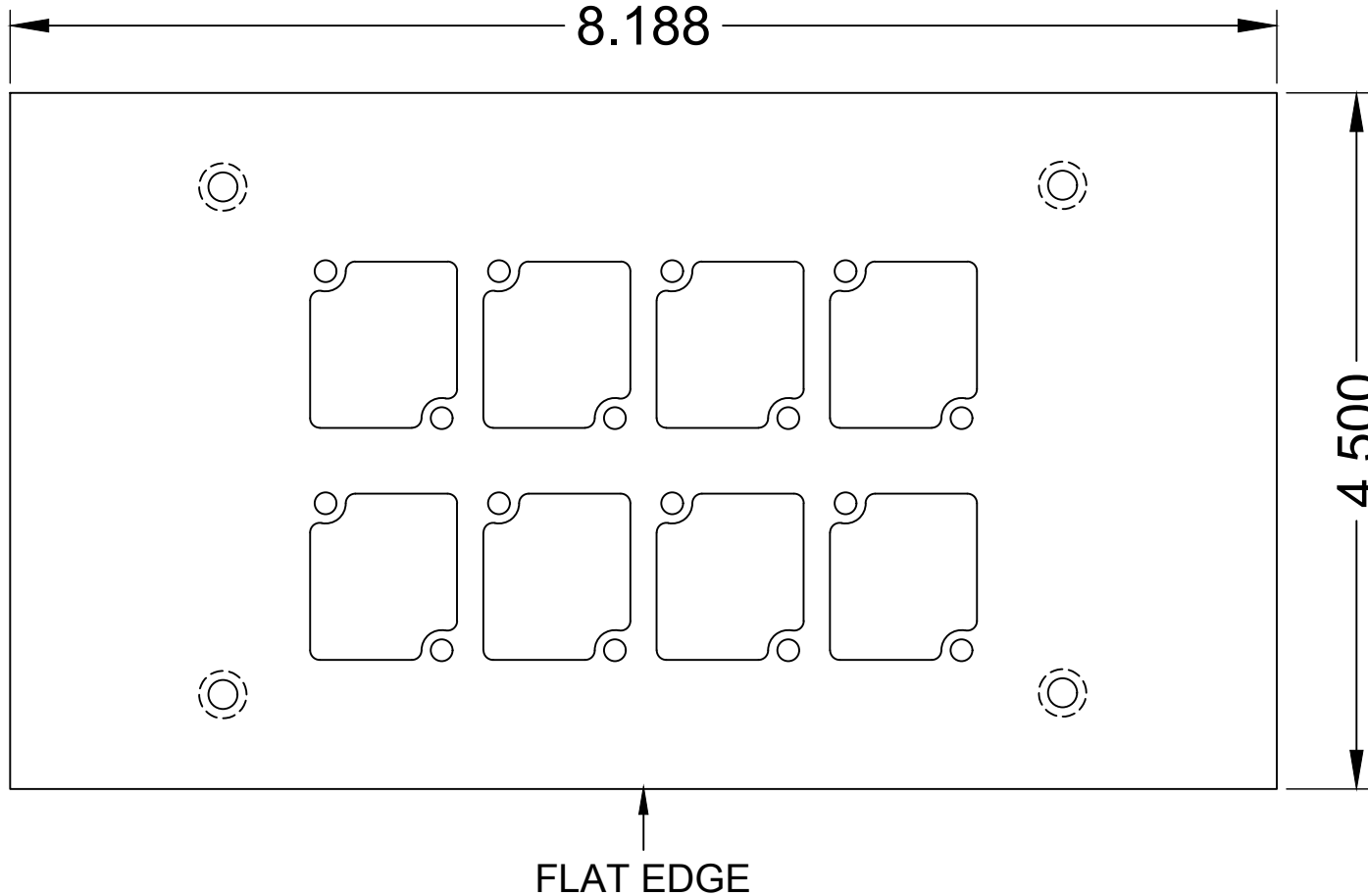
4-GANG WALL PANEL



PROUDLY MADE IN THE U.S.A.



ACE BACKSTAGE CO
Stage Pocket Systems Connectivity
www.acebackstage.com

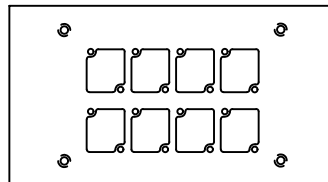


WP-400 SERIES PANELS

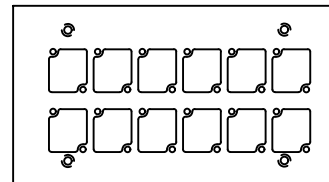
WP-400



WP-408



WP-4012



REVISED: 01/2021

MATERIAL:

1/16" 6061-T6 ALUMINUM

FINISH:

BLACK POWDER COAT, SEMI GLOSS

DESCRIPTION:

FOUR-GANG WALL PANEL WITH (8) CONNECTRIX CUTOUTS.

REV 1

SHEET 1 OF 1

ALL DIMENSIONS ARE FOR REFERENCE ONLY. ALL DIMENSIONS ARE IN INCHES

MODEL NO.

WP-4012

SERIES

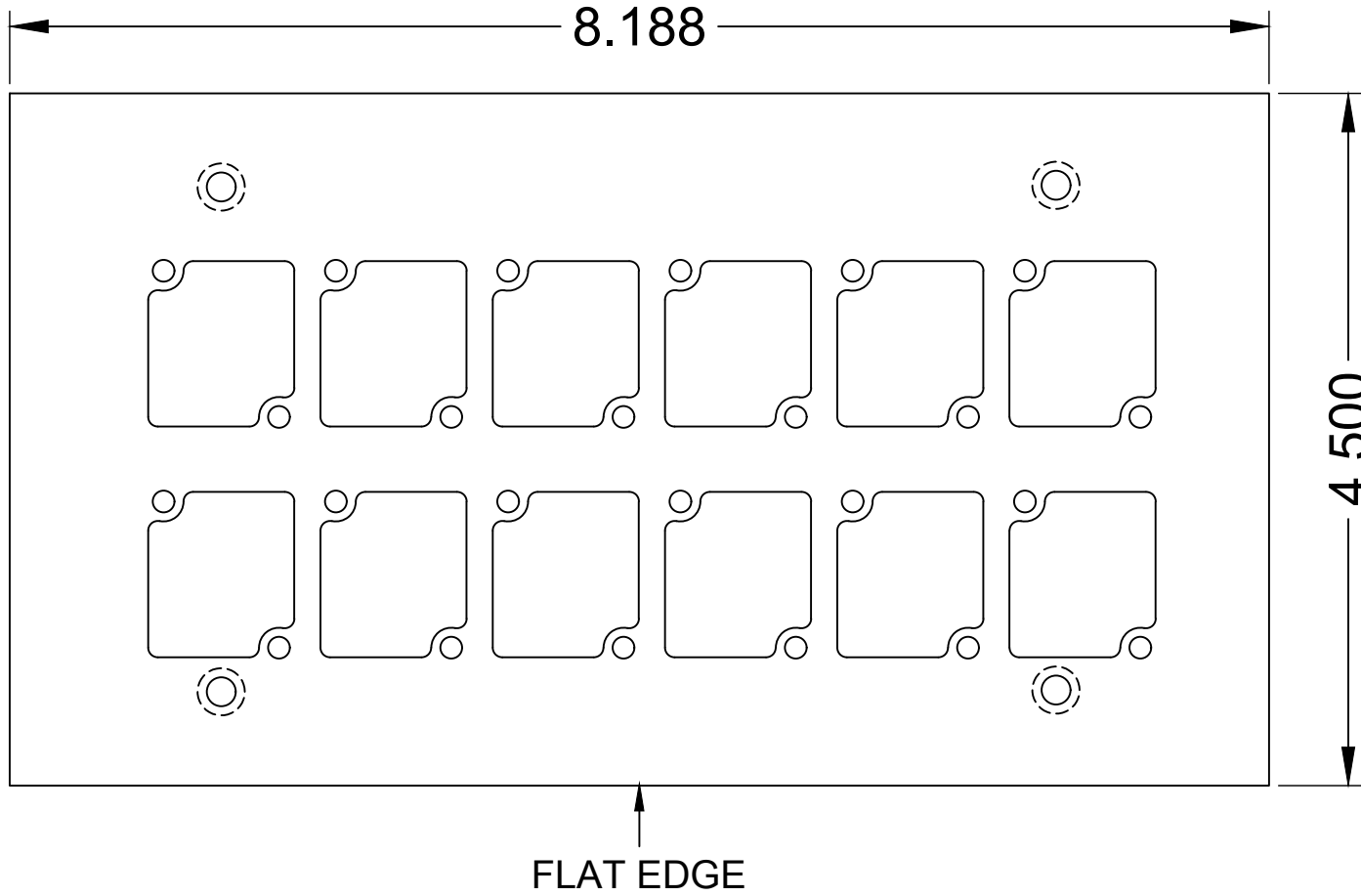
WP-400 SERIES

TYPE

4-GANG WALL PANEL



PROUDLY MADE IN THE U.S.A.

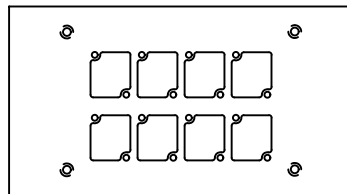


WP-400 SERIES PANELS

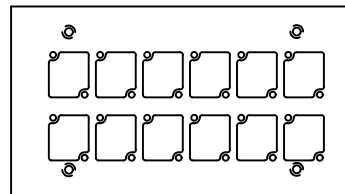
WP-400



WP-408



WP-4012



REVISED: 01/2021

MATERIAL:

1/16" 6061-T6 ALUMINUM

FINISH:

BLACK POWDER COAT, SEMI GLOSS

DESCRIPTION:

FOUR-GANG WALL PANEL WITH (12) CONNECTRIX CUTOUTS.

REV 1
SHEET 1 OF 1