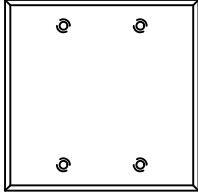


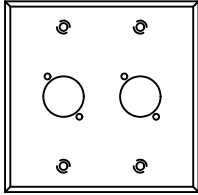
MODEL NO.	<b>WP-212</b>	SERIES	<b>WP-210 SERIES</b>	TYPE	<b>2-GANG WALL PANEL</b>	 PROUDLY MADE IN THE U.S.A.	 <b>ACE BACKSTAGE CO</b> Stage Pocket Systems <i>Connectivity</i> www.acebackstage.com
-----------	---------------	--------	----------------------	------	--------------------------	---	--

WP-210 SERIES PANELS

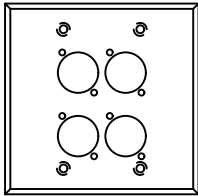
WP-210



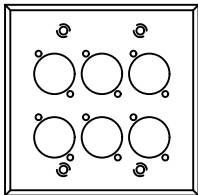
WP-212



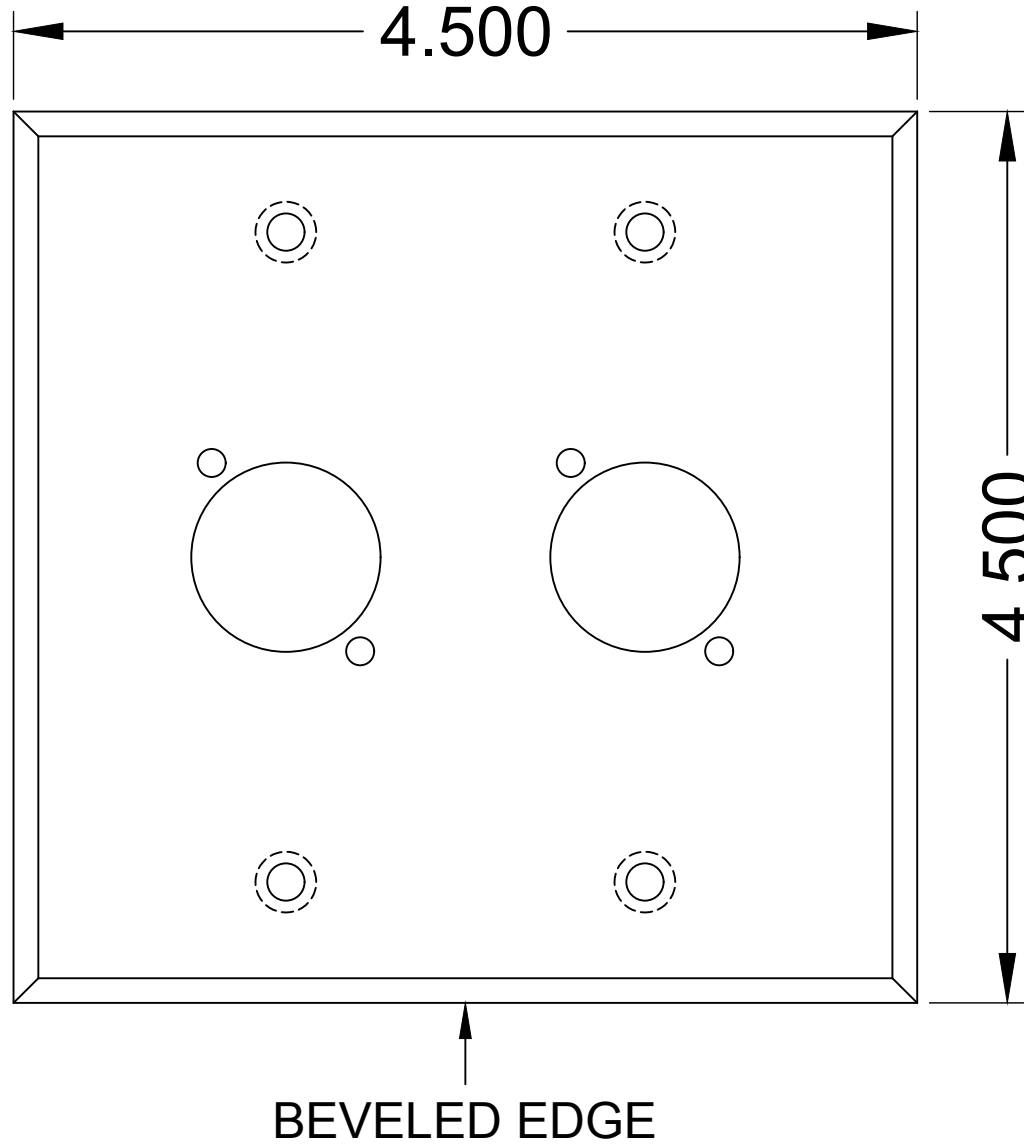
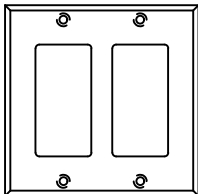
WP-214



WP-216



WP-217



REVISED: 01/2021	MATERIAL:	FINISH:	DESCRIPTION:	REV 1
ALL DIMENSIONS ARE FOR REFERENCE ONLY. ALL DIMENSIONS ARE IN INCHES	THERMOPLASTIC	WHITE	DOUBLE GANG PANEL WITH (2) NEUTRIK D-SERIES CUTOUTS.	SHEET 1 OF 1