

WP-200 SERIES PANELS

WP-200

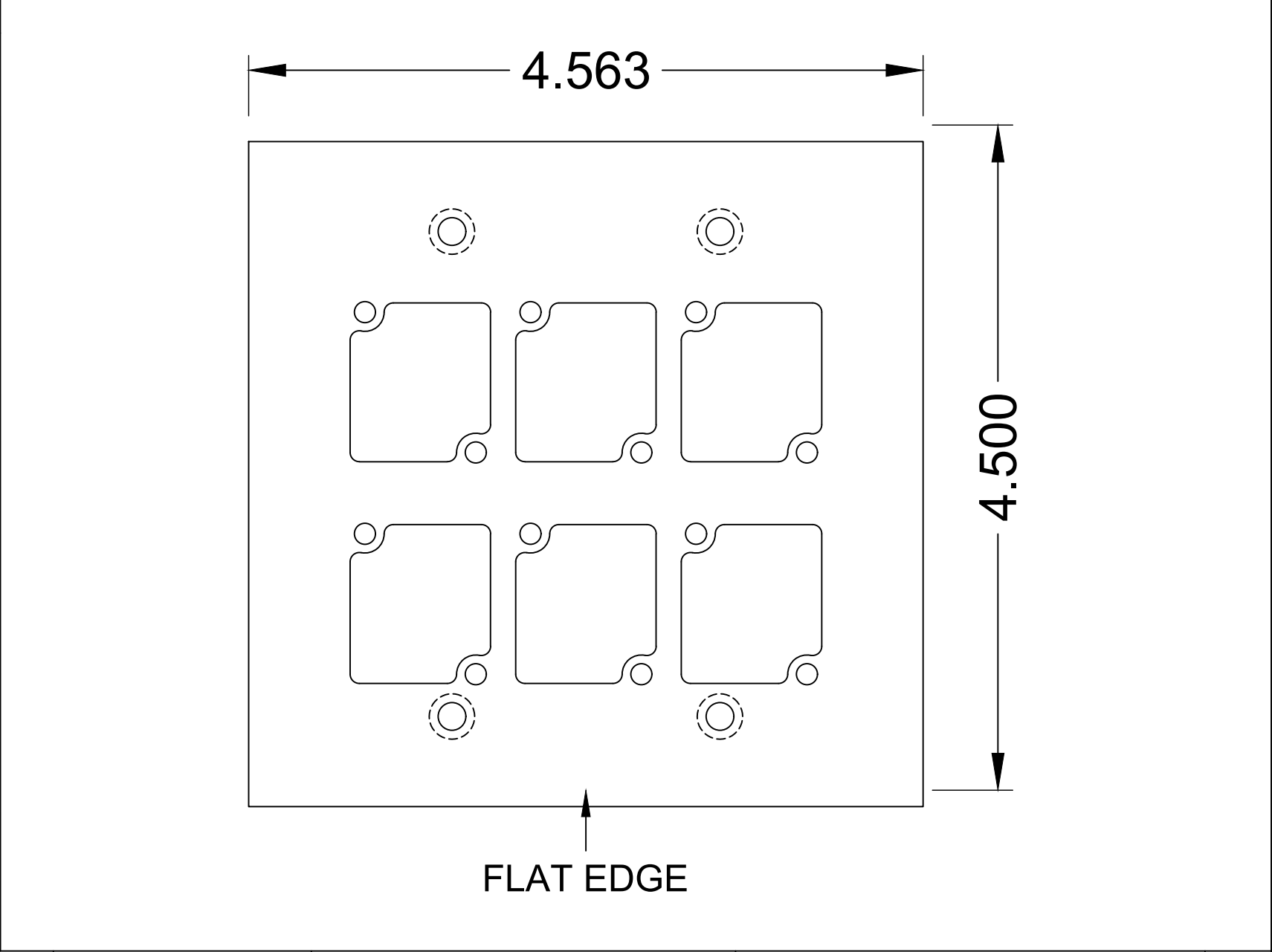
WP-202

WP-204

WP-206

WP-206R

WP-207



REVISED: 01/2021	MATERIAL:	FINISH:	DESCRIPTION:	REV
ALL DIMENSIONS ARE FOR REFERENCE ONLY. ALL DIMENSIONS ARE IN INCHES	1/16" 6061-T6 ALUMINUM	BLACK POWDER COAT, SEMI GLOSS	TWO-GANG PANEL WITH (6) CONNECTRIX CUTOUTS.	1
				SHEET
				1 of 1