
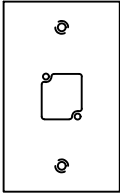
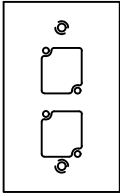
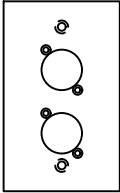
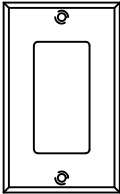
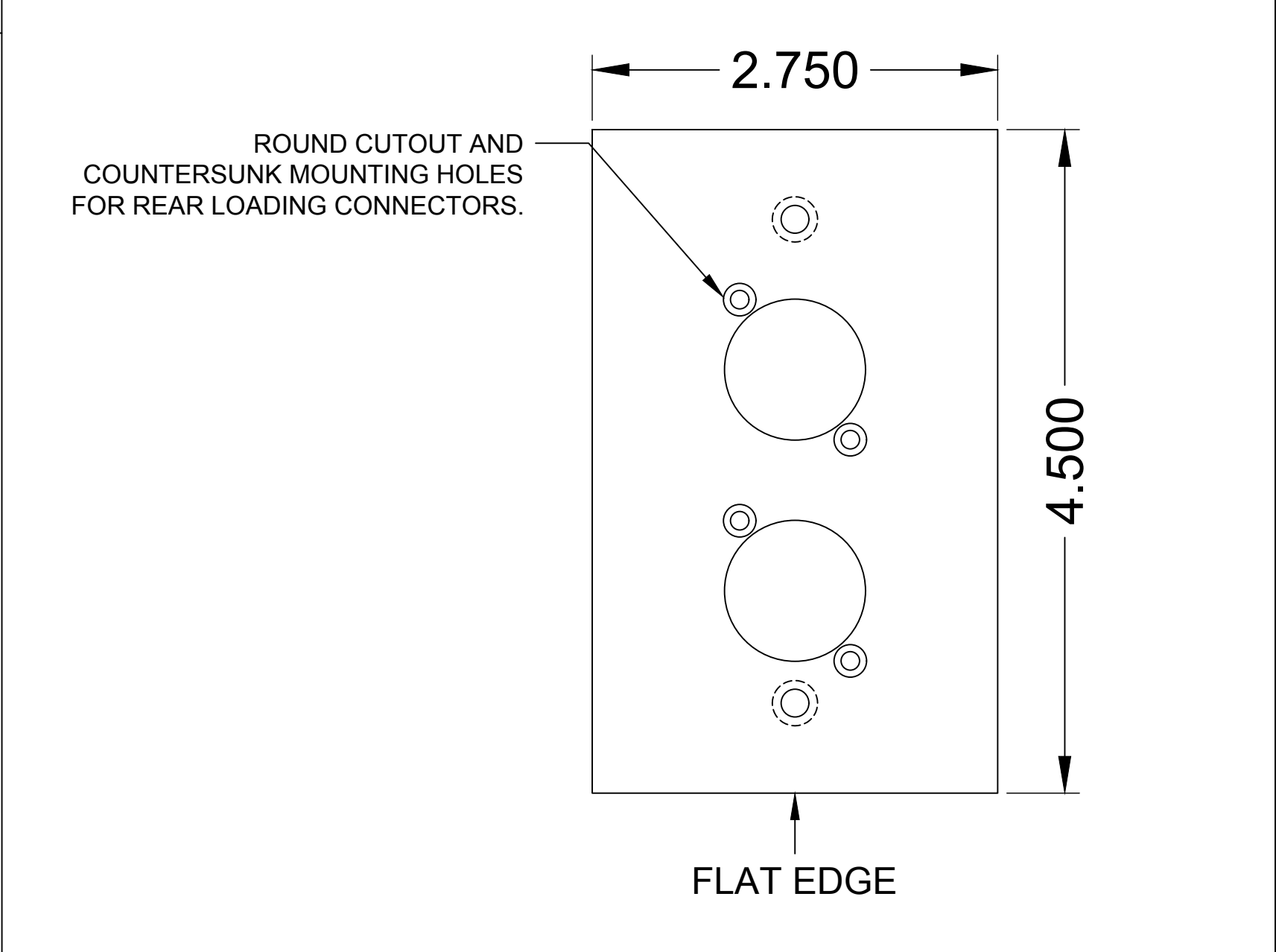


MODEL NO.	WP-102R	SERIES	WP-100 SERIES	TYPE	1-GANG WALL PANEL	 PROUDLY MADE IN THE U.S.A.	 ACE BACKSTAGE CO Stage Pocket Systems Connectivity www.acebackstage.com
-----------	----------------	--------	----------------------	------	--------------------------	---	---

WP-100 SERIES PANELS

WP-100	
WP-101	
WP-102	
WP-102R	
WP-107	



REVISED: 01/2021	MATERIAL:	FINISH:	DESCRIPTION:	REV 1
ALL DIMENSIONS ARE FOR REFERENCE ONLY. ALL DIMENSIONS ARE IN INCHES	1/16" 6061-T6 ALUMINUM	BLACK POWDER COAT, SEMI GLOSS	SINGLE GANG PANEL WITH (2) ROUND CUTOUTS FOR REAR LOADING.	SHEET 1 OF 1