

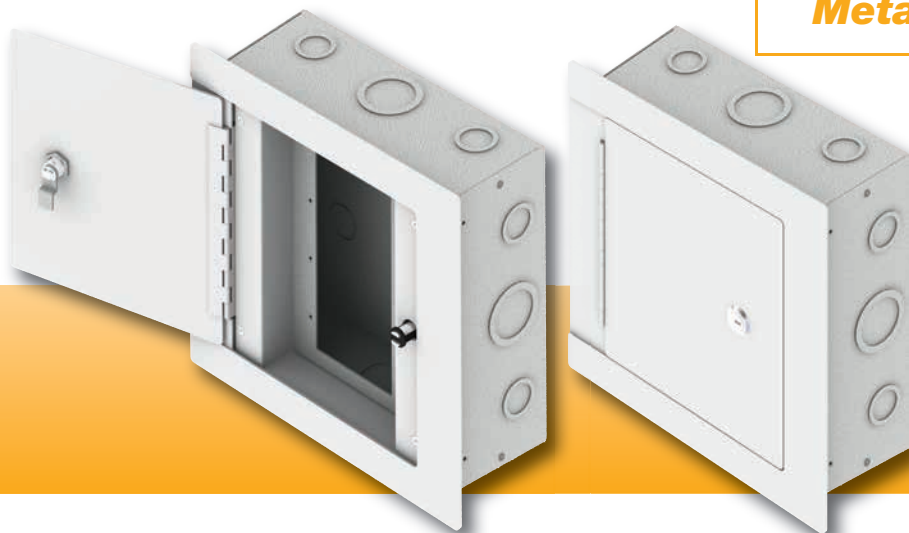
## WB-3G/4G

### Wall Box Front Access

# FSR

## Metal Products Group

WB-3G/4G



WB-4G-6 pictured

### DESCRIPTION

These wall boxes are designed to provide the AV and security industries with an attractive enclosure to securely house various connections and control plates. The wall boxes are perfect for hotels, conference centers, classrooms, churches, meeting rooms, airports and all public spaces.

The wall boxes come with all necessary hardware to mount in new or old construction. They can be mounted in any direction, permitting the door to open up, down, right or left.

There are two size boxes in two depths available. One will handle a standard three gang plate and the larger box will handle a standard four gang plate. The appropriate blank plate is supplied with each model.

A key lock built into the design as well as a push-to-open retention latch are included.

### MOUNTING

Follow the mounting instructions on the following pages to install the box in the desired location.

- Back box can be rotated for knockout convenience.
- 1½' cable tails should be provided when pulling wires.
- Verify door swing direction before mounting cover
- Follow local electrical codes.

### APPLICATIONS

Schools, Hotels, Conference Centers, Airports, Arenas and Houses of Worship.

### FEATURES

- Sturdy steel construction
- Mount in either new or old construction
- Available in either three or four gang sizes
- Standard finish is white.
- Comes complete with mounting hardware and blank plates
- Built-in lock and push-to-open retention latch
- Either wall box can be mounted in any position

### ORDERING INFORMATION

Each wall box comes complete with all mounting hardware and screws including a standard switch-plate. The options for ordering wall boxes are:

#### COVER AND BACKBOXES ARE ORDERED SEPARATELY.

Part No.	Description
WB-3G-C	Locking wall box cover for mounting a 3-gang plate
WB-3G-4	4" deep back box for above
WB-3G-6	6" deep back box for above
WB-4G-C	Locking wall box cover for mounting a 4-gang plate
WB-4G-4	4" deep back box for above
WB-4G-6	6" deep back box for above

## FSR

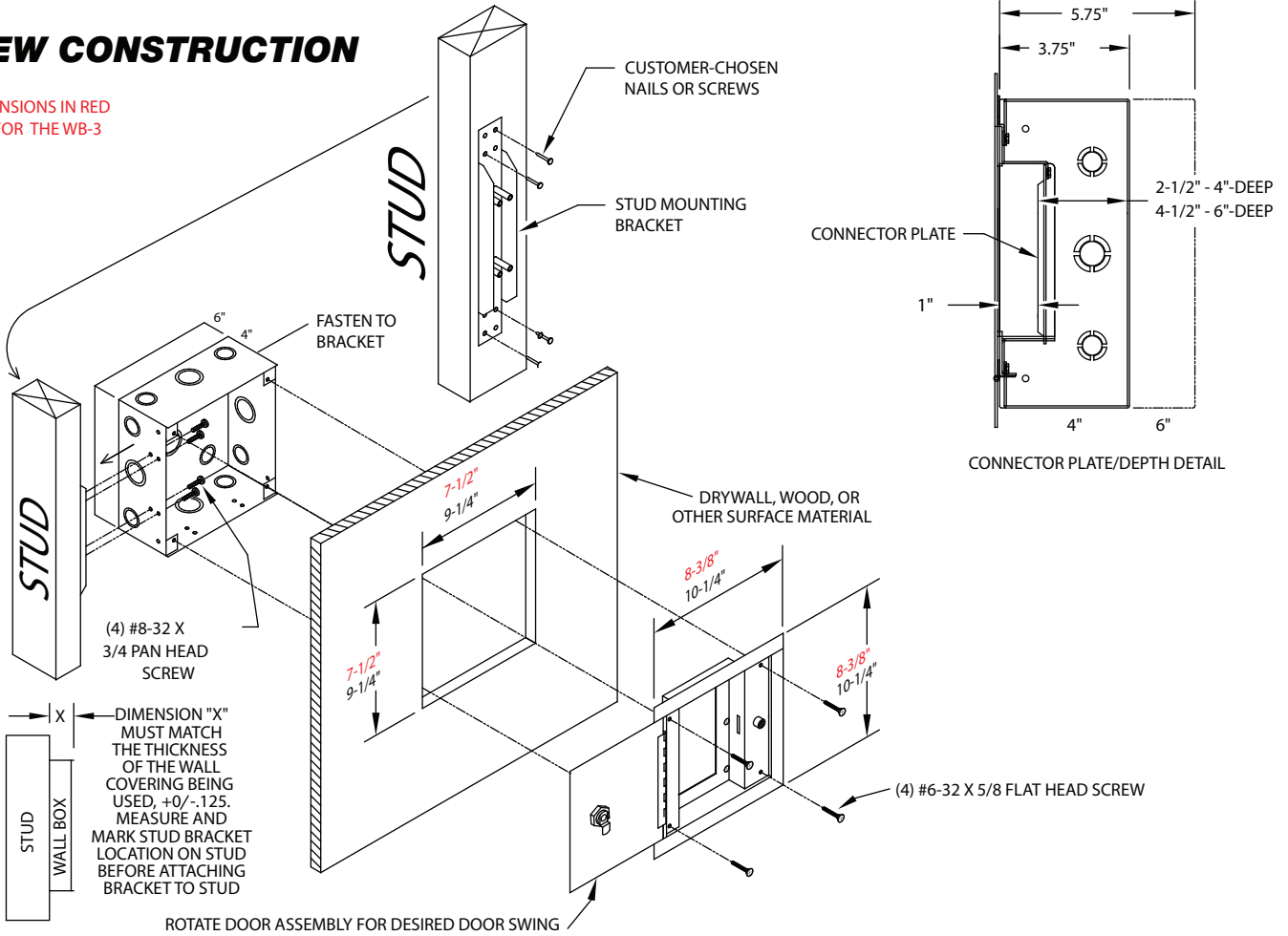
244 Bergen Boulevard, Woodland Park, NJ 07424  
Phone: 973.785.4347 · Fax: 973.785.4207  
Web: [www.fsrinc.com](http://www.fsrinc.com) · E-mail: [sales@fsrinc.com](mailto:sales@fsrinc.com)

LIT1074B

# INSTALLATION DIAGRAMS

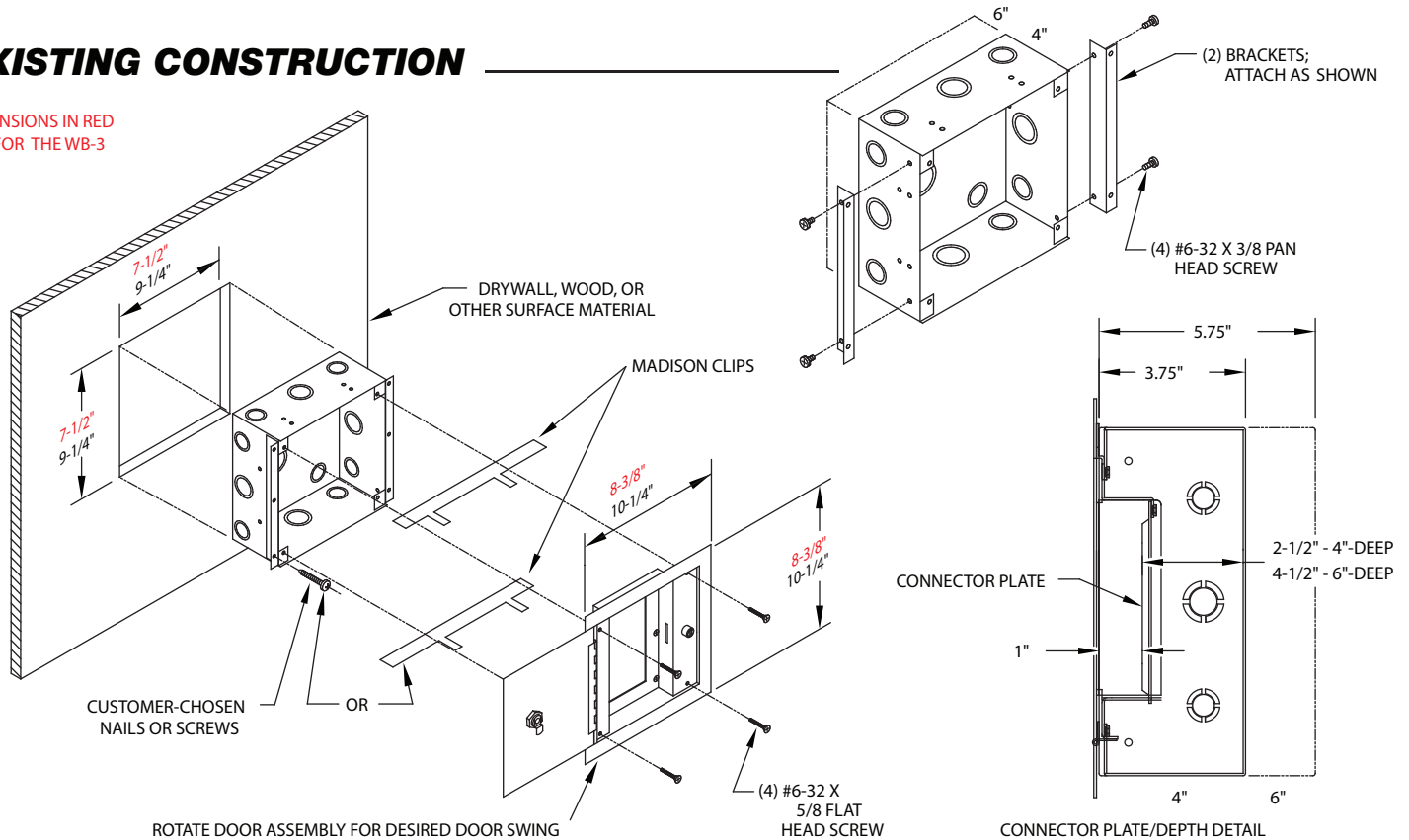
## NEW CONSTRUCTION

DIMENSIONS IN RED ARE FOR THE WB-3



## EXISTING CONSTRUCTION

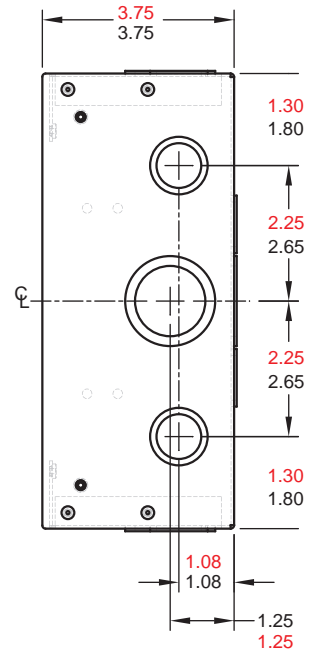
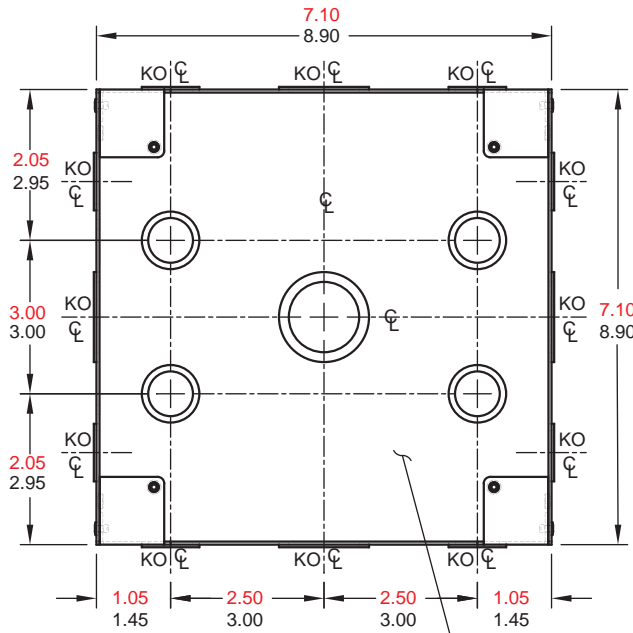
DIMENSIONS IN RED ARE FOR THE WB-3



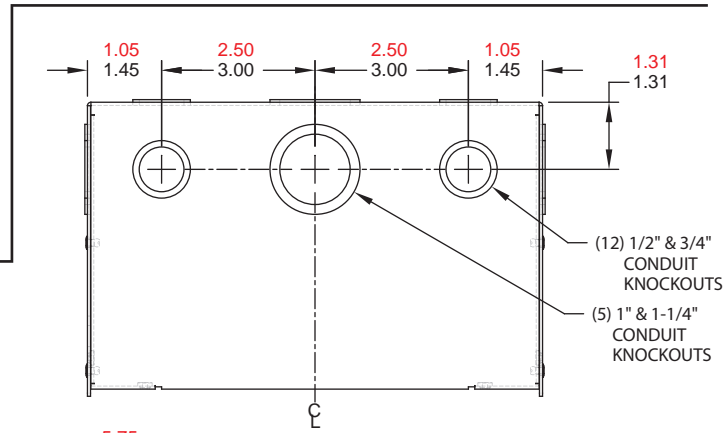
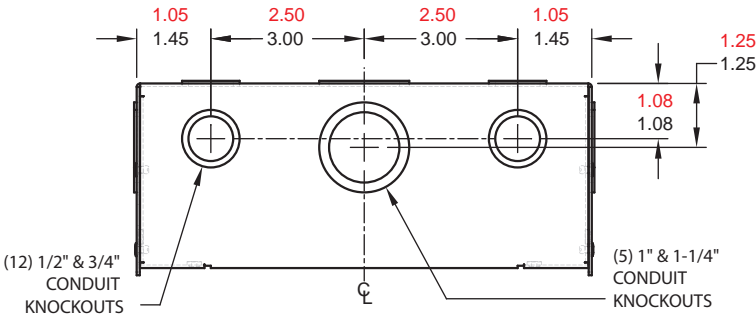
# BACK BOX DIMENSIONS

## WB-4G-4 and 3G-4

DIMENSIONS IN RED ARE FOR THE WB-3

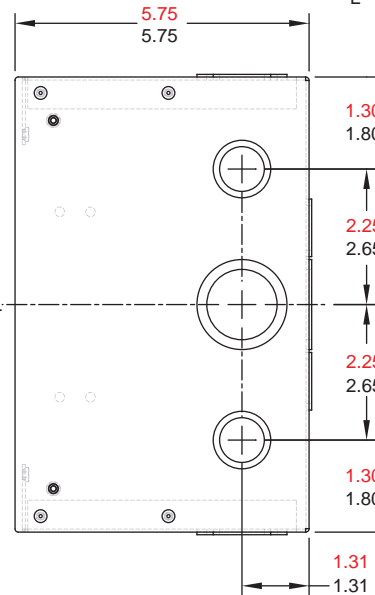
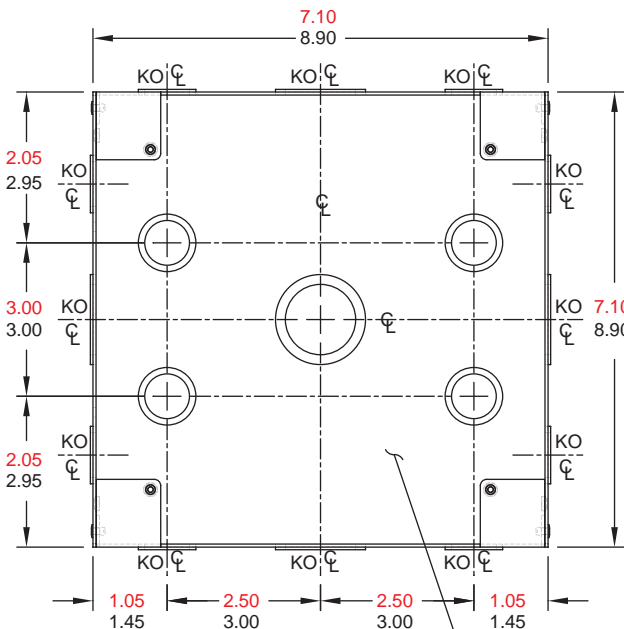


INTERNAL VOLUME: 176.9 cu.in.  
279.9 cu.in.



## WB-4G-6 and 3G-6

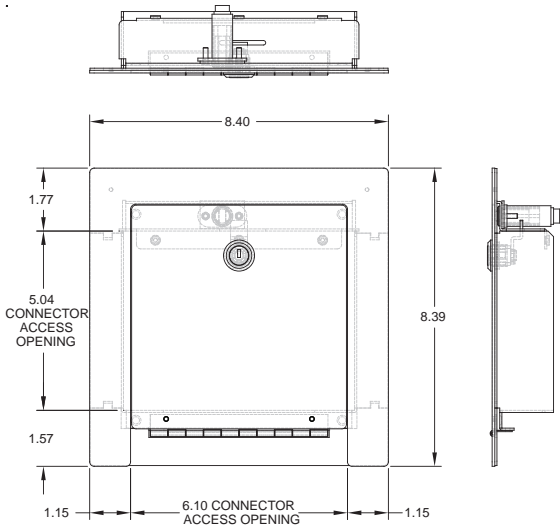
DIMENSIONS IN RED ARE FOR THE WB-3



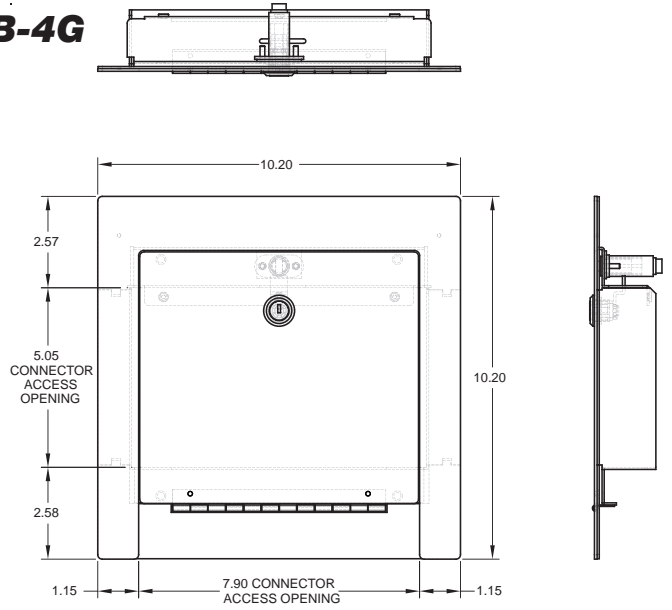
INTERNAL VOLUME: 274.3 cu.in.  
434 cu.in.

# COVER DIMENSIONS

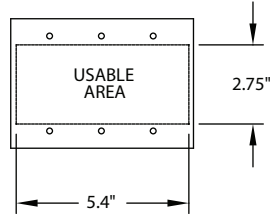
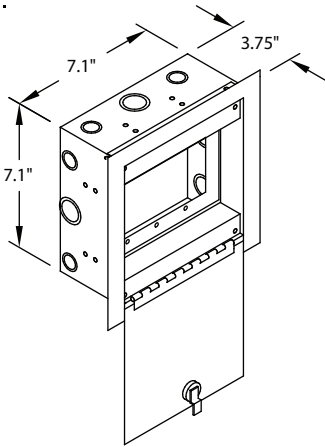
## WB-3G



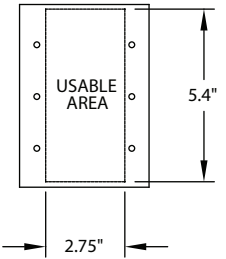
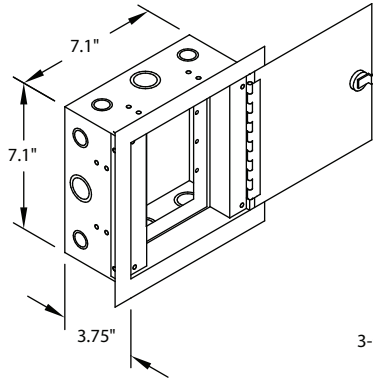
## WB-4G



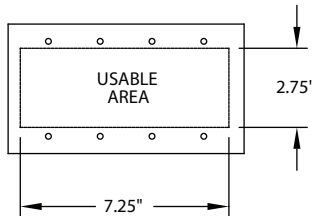
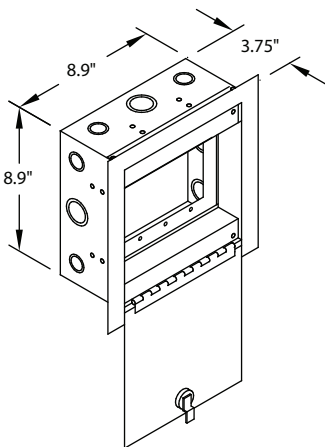
# PLATE MOUNTING DETAILS



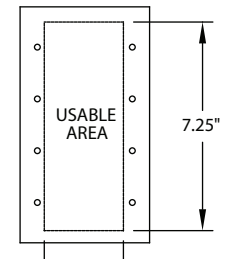
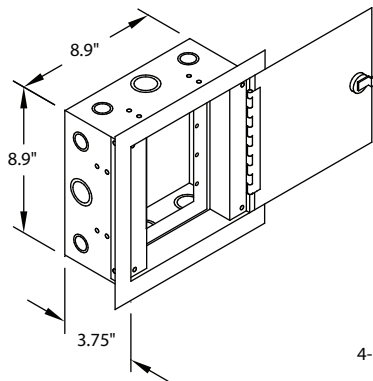
3-GANG PLATE MOUNTING BRACKET



3-GANG PLATE MOUNTING BRACKET



4-GANG PLATE MOUNTING BRACKET



4-GANG PLATE MOUNTING BRACKET

Specifications are subject to change without notice.



244 Bergen Boulevard, Woodland Park, NJ 07424  
Phone: 973.785.4347 · Fax: 973.785.4207  
Web: [www.fsrinc.com](http://www.fsrinc.com) · E-mail: [sales@fsrinc.com](mailto:sales@fsrinc.com)