



VANDAL PROOF INTERCOM STATIONS WITH CONE LOUDSPEAKER

VPCS Series



VPCS-2GPB-245



VPCS-3GPB-245



Front View



Side View

VPB-1A

FEATURES

- Shallow Depth of 2½" (54mm) for Mounting in Standard 2 & 3-Gang BackBoxes
- Moisture-Resistant 2½" (64mm) Dia. Cone Loudspeaker
- Offers Smooth Loudspeaker Response with High Output in the Speech Range
- Two-Piece Die-Cast Baffle System Protects the Loudspeaker Assembly from Vandalism
- Choice of Basic or Call Switch Equipped Models
- Unit Design Facilitates Quick and Easy Service Procedures
- Transformer Models Include 2, 1, ½, and ¼ Watt Taps at 25 Volts
- Durable 11-Gauge, Stainless Steel Face Plate

APPLICATIONS AND GENERAL DESCRIPTION

Atlas-Sound's VPCS Series 2 & 3-gang intercom systems (Patent applied for) provide superior intelligibility for one or two-way communication in high-security applications. Units are designed for installation in detention, correctional, and institutional facilities. VPCS intercom stations are also ideal for use in high-risk public-access spaces such as hallways, lobbies, and parking garages. Units withstand abuse, moisture, corrosion, dust, vibration, and temperature extremes from -10° to 150° F.

Stations are equipped with a 2½" (64mm) dia. loudspeaker to deliver clear voice and signal transmission while the phenolic resin impregnated, moisture-proof cloth cone provides durable performance. The VPCS Series includes two die-cast baffles to protect the loudspeaker assembly from vandalism. The Series is available with a 25-volt transformer providing 2, 1, ½, and ¼ watt taps or as a 45 ohm configuration.

Model numbers indicating "PB" include a vandal-proof push-button call switch for installation where call origination is a required function or a desired adjunct to security. "PB" models feature a heavy-duty, momentary action push-button with a 3A at 120 VAC/1.5A at 250 VAC contact rating, mounted to 11-gauge stainless steel face plate. The face plate mounts standard 2 & or 3-gang E.O. boxes with any counter sunk 6-32" mounting screw. Lead wires are 5" (127mm). Switch is single pole, single throw, normally open. Pushbutton assembly is constructed of nickel plated brass and sealed against moisture with a classification of 1P65.

VPB-1A is a vandal-resistant pushswitch intercom accessory mounted to a single gang size stainless steel plate. Utilize assembly in conjunction with VPCS 2- and 3-gang stations or as a stand alone signaling device when a separate or remotely located call origination button is desired.

SPECIFICATIONS

Speaker Size:	2½" (64mm)
Cone Material:	Phenolic Impregnated Cloth
Power Handling:	5 Watts
Sensitivity (1W/1M):	88dB (Measured @ 1 watt / 1 meter) 2000 Hz Octave Band – 92.4dB
Nominal Impedance:	45 Ohms
Frequency Response:	350 Hz-4500 Hz (+6dB)
Transformer:	25 Volt
Transformer Taps:	2, 1, ½, and ¼ Watts

MODEL	DESCRIPTION	DIMENSIONS	WEIGHT
VPCS-2G-2	25V; 2-gang	4¾" Sq. x 2½" D	1.58 lbs.
VPCS-2G-X45	45 ohm, 2-gang	(121 x 121 x 54mm)	(.72 kg)
VPCS-2GPB-2	25V; 2-gang w/call Switch	4¾" Sq. x 2½" D	1.60 lbs.
VPCS-2GPB-X45	45 ohm, 2-gang w/call Switch	(121 x 121 x 54mm)	(.73 kg)
VPCS-3G-245	25V; 3-gang	6¾" x 4¾" x 2½" D	1.70 lbs.
VPCS-3G-X45	45 ohm, 3-gang	(162 x 121 x 54mm)	(.77 kg)
VPCS-3GPB-245	25V; 3-gang w/call Switch	6¾" x 4¾" x 2½" D	1.72 lbs.
VPCS-3GPB-X45	45 ohm, 3-gang w/call Switch	(162 x 121 x 54mm)	(.78 kg)
VPB-1A	Plate Mounted 1-gang Call Switch	4½" x 2¾" x 1¾" D (114 x 70 x 35mm)	.48 lbs. (.22 kg)

Specifications subject to change without notice



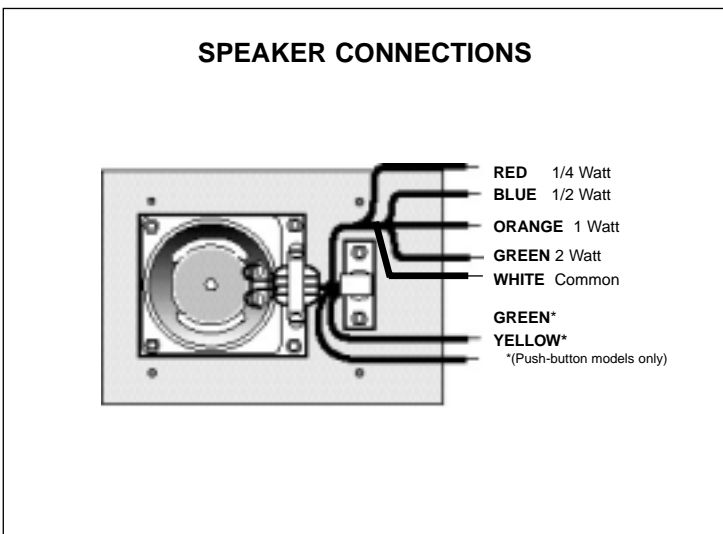
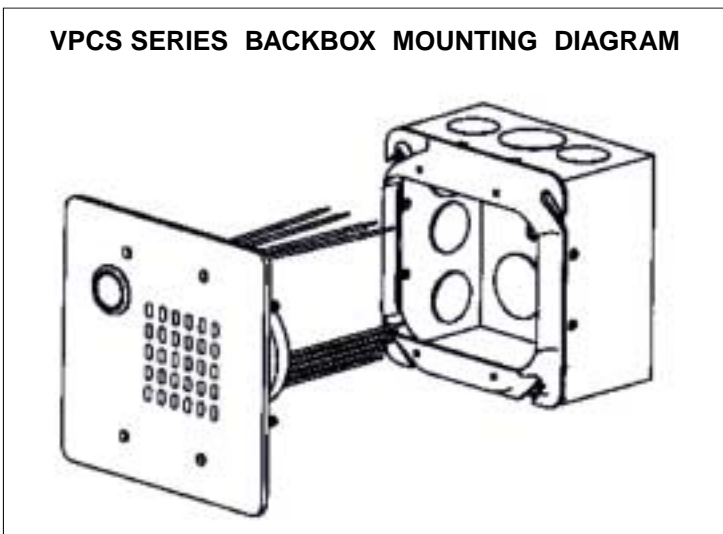
1601 JACK MCKAY BLVD. / ENNIS, TEXAS 75119 U.S.A.
TELEPHONE: (800) 876-3333 / FAX (800) 765-3435

AtlasSound.com

ARCHITECT AND ENGINEER SPECIFICATIONS

Vandal-proof intercom loudspeaker(s) shall be Atlas Sound VPCS Series Model _____ (VPCS-2G-2, VPCS-2GPB-2, VPCS-3G-245, VPCS-3GPB-245, VPB-1A or 45 Ohm versions: VPCS-2G-X45, VPCS-2GPB-X45, VPCS-3G-X45, or VPCS-3GPB-X45) or approved equal. Station(s) shall be comprised of a 5-watt, 2½" dia. loudspeaker with phenolic, impregnated cloth cone protected by aluminum baffles. The loudspeaker shall be mounted to an 11-gauge stainless steel face plate. Assembly shall be able to withstand damage caused from abuse, moisture, corrosion, dust, vibration and temperature extremes from -10° to 150° F. Unit shall have a sensitivity level of 88dB (1W/1M) with an output in the 2000 Hz octave band of 92dB. Loudspeaker impedance shall be 45 ohms. Frequency

response range shall be 350 Hz-4500 Hz. Station(s) equipped with call switch (PB models) shall include a vandal-proof, flush-mounted momentary action pushbutton switch with a contact rating of 3A at 120 VAC and 1.5A at 250 VAC. Stations equipped with a 25-volt transformers shall have 2, 1, ½ and ¼ watt taps. VPCS vandal-proof stations shall feature a shallow depth of 2½" which will allow it to mount in standard E.O. boxes. The face plate shall be attached with any counter sunk (4) 6-32" mounting screws (not included). Two-gang VPCS intercom stations shall have dimensions of 4¼" sq. x 2½"D (121 x 121 x 54mm). The 3-gang models shall measure 6¾" W x 4¾" H x 2½"D (162 x 121 x 54mm). VPB-1A dimensions are 4½"H x 2¾"W x 1¾"D (114 x 70 x 35mm). Patent applied for.



Specifications subject to change without notice



1601 JACK MCKAY BLVD. / ENNIS, TEXAS 75119 U.S.A.
 TELEPHONE: (800) 876-3333 / FAX (800) 765-3435

AtlasSound.com