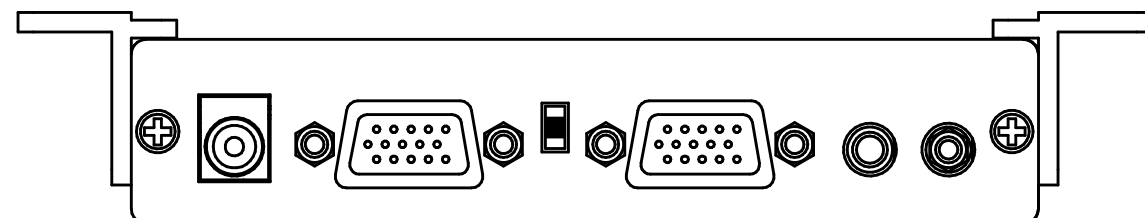
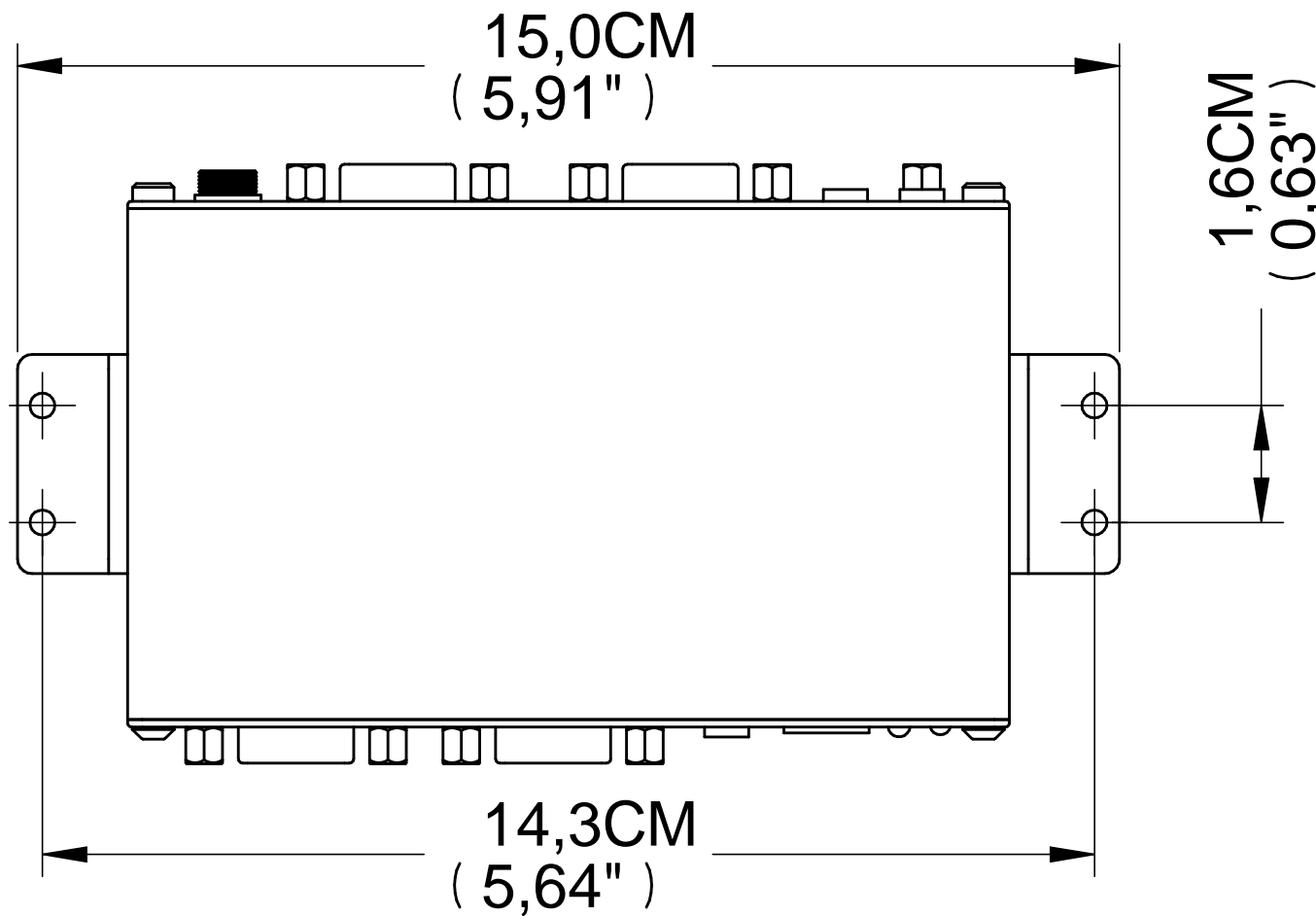
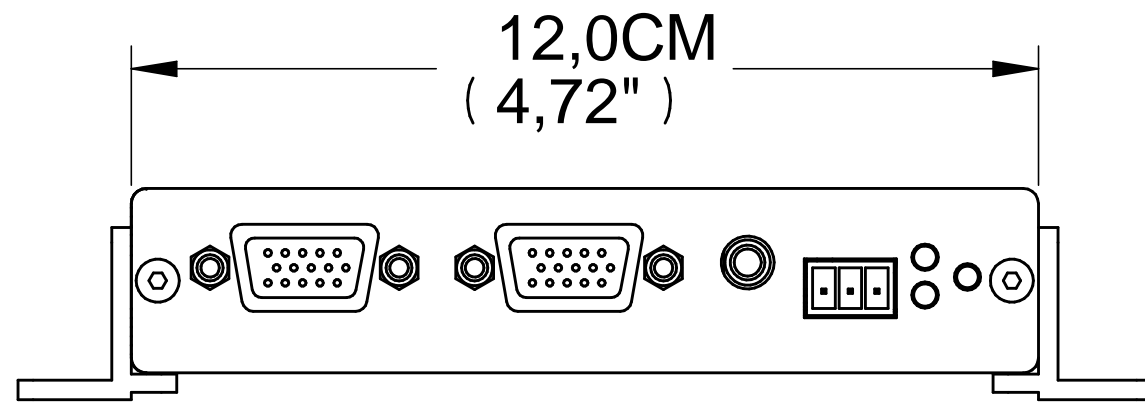
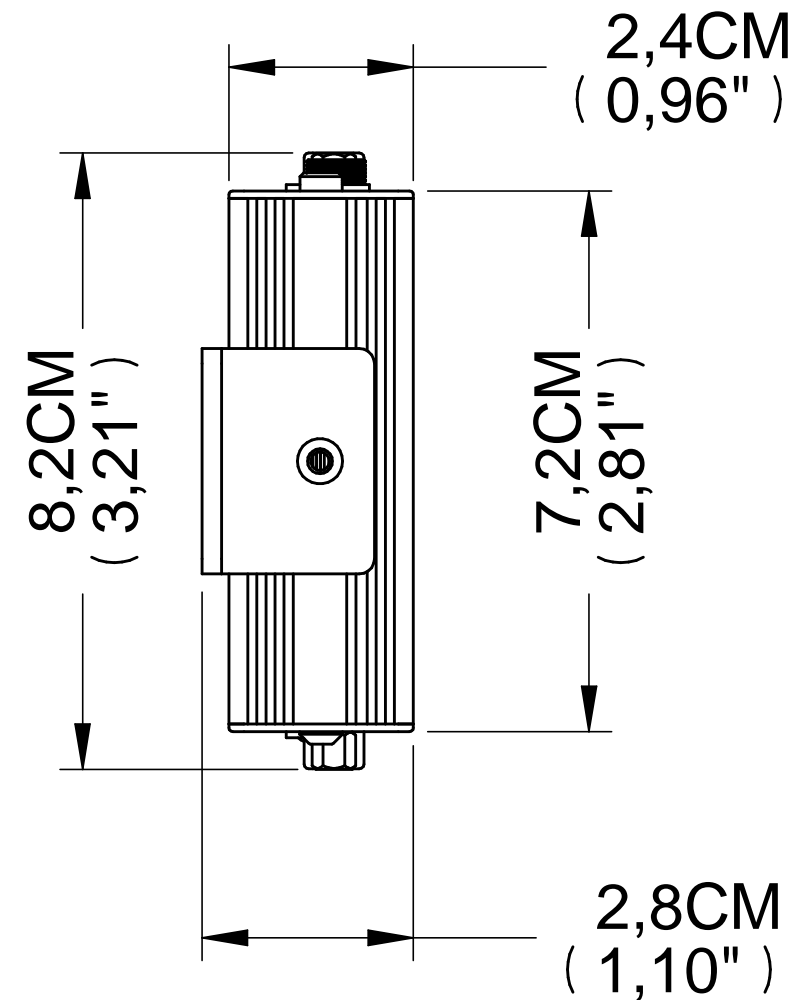



REV	DESCRIPTION	ECO NO.	DATE	APPROVED
1	PRELIMINARY		DD . MM . YY	



VP-211K



	NAME	DATE	 KRAMER ELECTRONICS LTD. JERUSALEM, ISRAEL
DRAWN	ihassidim	04/Dec/11	
CHECKED			PART: VP-211K-OUTLINE
ENG APPR			
MGR APPR			SIZE A3 KRAMER P.N.: VP-211K-OUTLINE REV 1
UNLESS OTHERWISE SPECIFIED DIMENSIONS ARE IN MILLIMETERS ANGLES ±0.5° LINEAR ±0.2 HOLES +0.2			File name: VP-211K-OUTLINE.dft Project: VP-211K Sheet 1 of 1