


Middle Atlantic Products

EXCEPTIONAL SUPPORT & PROTECTION™

ViewPoint™ Monitoring Console System


EIA/TIA Compliant

Flexible, scalable system has been designed for optimum operator effectiveness

Features

- Fully welded bays provide a heavy-duty structure that can be assembled quickly
- Available with an 18" deep work surface or 34" desktop
- A large variety of standard finishes available
- Most configurations ship in 3 weeks or less
- Custom finishes and work surfaces available upon request
- UL Listed in the US and Canada
- GREENGUARD IAQ certified
- LCD monitors can be mounted using optional monitor arms



Architects' and Engineers' Specifications

ViewPoint™ Series monitoring console system shall be Middle Atlantic Products model # VC-_____. Overall dimensions of the console bays shall be ___"W x 30"H x 19"D. Console system shall feature welded steel bays of Uni-Frame™ construction and extensible design that provides optimal structural integrity, and unrestricted cable management and access. Console system shall have exterior support foot placement that provides support and unimpeded chair/operator movement. Work surface/Desktop shall have cantilevered supports that provide unimpeded leg movement. Each 24" width bay shall accept rackrail or a slide-out CPU tray. Each 24" bay shall have a 250 lb. weight capacity. Shall include 2 horizontal, segregated raceways in each bay and wedge, configurable for upper or lower bay installation. Shall include a minimum of one 15 amp duplex per 24" bay (work surface only). Work surfaces shall have a 3 position height selection. ViewPoint shall be available with an 18" deep work surface or 34" deep desktop, available in a Wenge, Dark Cherry, Dark Pecan, Aged Cherry, Honey Maple, Light Walnut, Maple, Shark Gray, Pepperstone, Graystone or Darkstone RTF thermolaminate finish and constructed of 1-1/8" thick triple-refined MDF. Connecting wedges shall be available with 15°, 22°, 30°, 45° and 90° (forward) and 15°, 22°, and 30° (reverse) angles. Extender bays shall be available to provide a total of 33" or 39" of useable depth. Bays shall be constructed of 11 and 14 gauge steel and finished in

a fingerprint resistant black textured powder coat. ViewPoint shall have 3" and 4" cable pass-throughs trimmed with plastic bushings to create a smooth internal surface. ViewPoint shall include all tools needed for the assembly of the console. Grounding and bonding stud shall be 1/4-20 threaded, installed in base of the bay, 2 per bay. ViewPoint shall satisfy the 2007 & 2010 CBC; 2006, 2009 & 2012 IBC; ASCE 7-05 (2005 Edition) & ASCE 7-10 (2010 Edition) and the 2006 & 2009 editions of NFPA 5000 for use in areas of high seismicity, Seismic Use Group III, Zone 4 or Seismic Design Category (SDC) "D" with lateral force requirements for protecting 320 lbs. per 24" section of essential equipment in locations with the highest level of seismicity and top floor or rooftop installations with an Importance factor (Ip) of 1.5. ViewPoint system shall meet ANSI-BIFMA, BSR/HFES 100, and VESA guidelines and requirements. ViewPoint shall be UL Listed in the US and Canada. ViewPoint shall be GREENGUARD Indoor Air Quality Certified for Children and Schools. ViewPoint enclosure shall be RoHS EU Directive 2002 / 95 / EC compliant. ViewPoint shall be manufactured by an ISO 9001 and ISO 14001 registered company. Steel components shall be warranted to be free from defects in material or workmanship under normal use and conditions for the lifetime of the product. Thermolaminate components shall be warranted to be free from defects in material or workmanship under normal use and conditions for a period of 7 years.

CUSTOMIZABLE SPECIFICATION CLIPS AVAILABLE AT MIDDLEATLANTIC.COM



OPTIONS

Monitor Mounts – shall be available to accommodate 1, 2, 3, 4 or 6 monitors. Shall mount to the rear top of 12", 24", 36", 48" or 72" console bays. Shall tilt and pivot. Shall be hinged, articulating or counter-balanced. Shall be constructed of cast aluminum with steel fittings. Shall be VESA compliant. Shall have a weight capacity of, by model:

Part #	Weight capacity per monitor	Total weight capacity
VC-MM1X1	28 lbs.	28 lbs.
VC-MM2X1	25 lbs.	50 lbs.
VC-MM1X2	25 lbs.	50 lbs.
VC-MM1X2PL	21 lbs.	42 lbs.
VC-MM2X2	22 lbs.	88 lbs.
VC-MM3X1	25 lbs.	75 lbs.
VC-MM3X2	25 lbs.	150 lbs.

Large Format Monitor Mount – shall accommodate monitors with a 32" to 41" screen size (model # VC-MM32X41) and 42" to 63" screen size (model # VC-MM42X63) and mount to the rear top of the console bay. Shall be VESA compliant.

Rackrail – 10 space rackrail shall be available for horizontal equipment mounting in the front/rear of any 24" section of a 24", 36", 48" or 72" bay and shall be part # VC-B24-RR10. 6 Space rackrail for vertical equipment mounting in the top of any 24" section of a 24", 36", 48" or 72" bay, for use with work surface only, and shall be part # VC-TRK. Rackrail shall conform to EIA standards. Rackrail shall be constructed of 11-gauge steel. Shall be infinitely adjustable front-to-rear.

CPU Tray – Slide-out CPU tray shall mount in any 24" section of a 24", 36", 48" or 72" bay, and shall configure to slide out of the front or rear. Slide-out CPU tray shall have useable dimensions of 19"W x 14.25"D, extend 13" and have a weight capacity of 75 lbs. Slide out CPU tray shall be part # VC-2419ST.

Extender Bay - Extender Bay shall mount to the front of any 24" section of a 24", 36", 48" or 72" bay. Extender bay shall have 12 space front rackrail and 10 space rear rackrail. Extender bays shall be available in the following depths and configurations:

Part #	Door type	Useable Depth	Total Useable Depth
VC-2418X-PD	Plexiglass	18"	33"
VC-2418X-VD	Vented	18"	33"
VC-2424X-PD	Plexiglass	24"	39"
VC-2424X-VD	Vented	24"	39"

Rear fan door – Rear fan door shall replace standard rear console door on any 24" wide bay. Rear fan door shall provide 100 CFM of air extraction, generate less than 27 db, and be thermostatically switched. Part# shall be VC-B24-FD.

Storage Cabinet – Storage cabinet shall be constructed of constructed of 1" thick high pressure laminate on particle core. Dimensions shall be 23-1/2"W X 36"D. Storage cabinet shall have positionable glass doors and rear covers. Storage cabinet shall mounts to the front of any 24" section of a 24", 36", 48" or 72" bay and have a matching surface. Storage cabinet part # shall be VC-3624-GD.

Peninsula – Peninsula shall be constructed of 1-1/8" thick triple-refined MDF. With an Impact resistant to RTF thermolaminate finish. Peninsula dimensions shall be 24"W x 36"D. Peninsula shall mount to the front of any 24" section of a 24", 36", 48" or 72" bay. Peninsula shall be part # VC-PEN-3624.

Side Panels – Side panels shall be available in 3 styles, and be constructed of 1" thick triple-refined MDF. Side panels shall consist of a left and right side and mount to any 12", 24", 36", 48" or 72" bay.

File Cabinet – File cabinet shall have 3 drawers and be constructed of 16 and 18 gauge steel. File cabinet dimensions shall be 18"D x 27" H. File cabinet shall fit underneath a peninsula, and have swivel casters for ease of movement. File cabinet shall be part # VC-FC-3.

Articulating Task Light – Articulating task light shall mount to the top rear of the console and be part # VC-LCM.

Articulating Keyboard Shelf – Articulating keyboard shelf shall mount underneath the work surface/desktop. Shelf shall slide underneath the work surface/desktop when not in use. Shelf shall be adjustable in height and have a useable area of 31" W x 10-1/2"D. Shelf shall be part # VC-KBS.

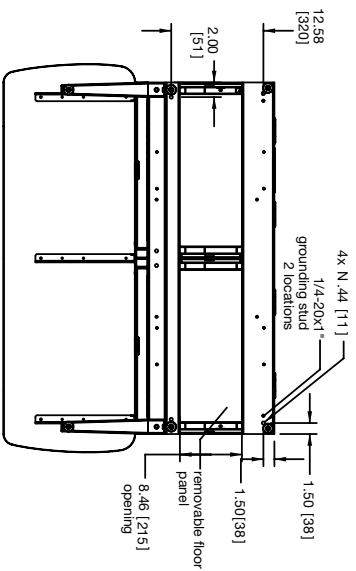
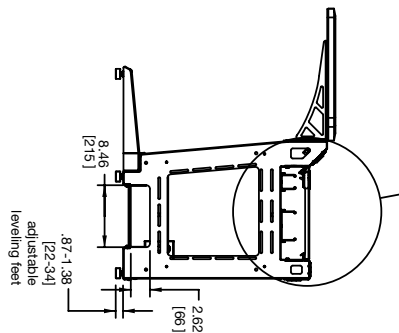
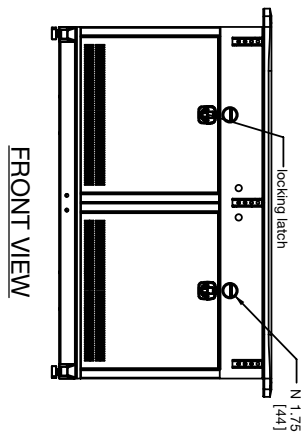
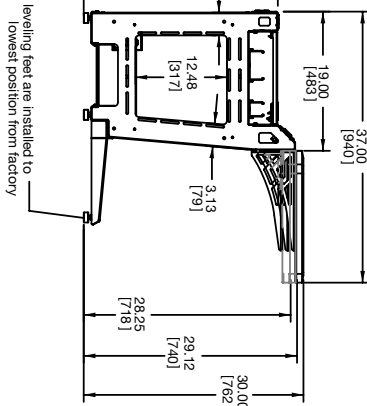
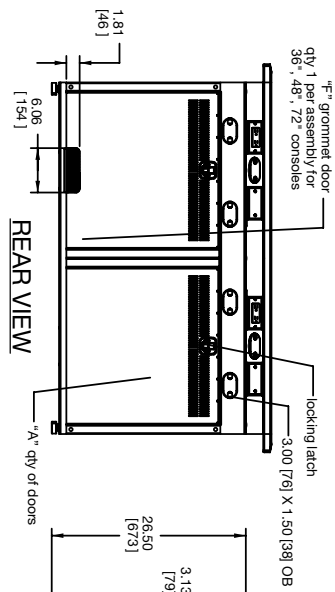
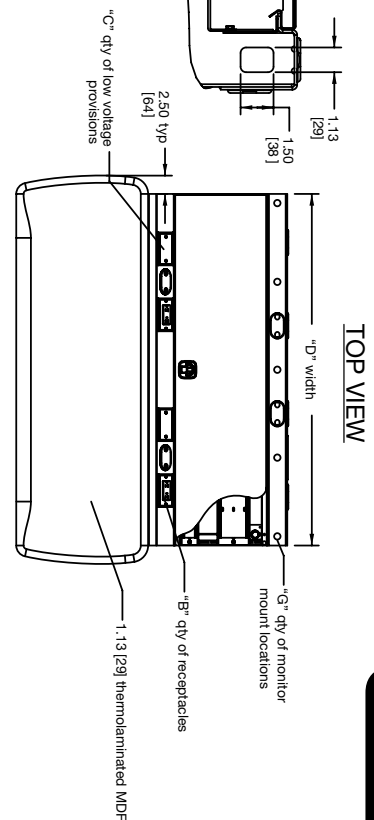
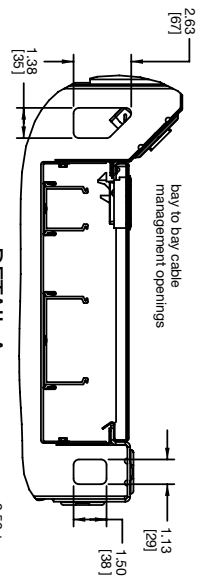
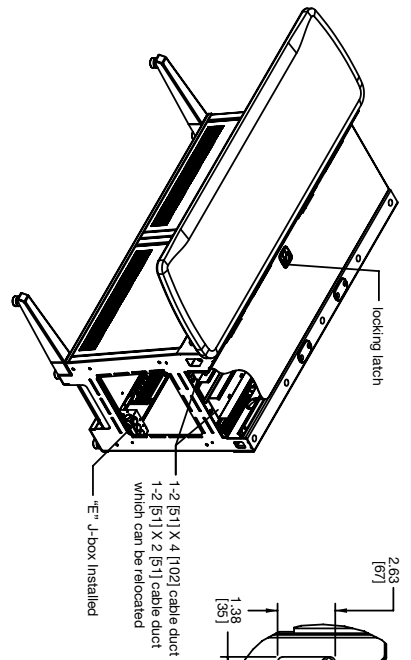
Top Mount Turret Racks – To mount turret racks shall be available with 4 or 9 rackspaces, have a minimum 8-1/2" useable depth, and work with consoles with an 18" deep work surface only. Top mount turret racks shall mount to any 24" section of a 24", 36", 48" or 72" bay.

Part#	# of rackspaces	Mounts to
VC-TR2419-4	4	24", 48", 72" bay
VC-TR3619-4	4	36" bay
VC-TR2419-9	9	24", 48", 72" bay
VC-TR3619-9	9	36" bay

Chair – Fully adjustable, ergonomically designed professional use monitoring chair shall have a 15 year warranty, and shall be part # CHAIR-CF1-B.

ViewPoint™ 18" Work Surface

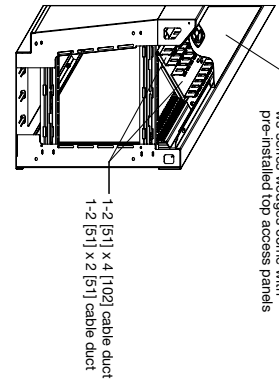
All dimensions in inches unless otherwise noted [All dimensions in brackets are in millimeters]



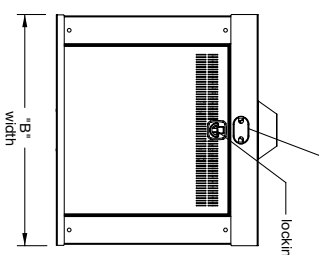
Part#	"A" Quantity of Doors	"B" Quantity of Receptacles	"C" Quantity of Low Voltage Provisions	"D" Width	"E" Grommet Doors	"F" J-Box	"G" Quantity Monitor Mount Locations
VC-619-WS18	N/A	N/A	N/A	6.00 [152]	NO	NO	N/A
VC-1219-WS18	2	N/A	N/A	12.00 [305]	NO	NO	1
VC-2419-WS18	2	1	1	24.00 [610]	NO	NO	3
VC-3619-WS18	4	2	2	36.00 [914]	YES	YES	5
VC-4819-WS18	4	2	2	48.00 [1219]	YES	YES	5
VC-7219-WS18	6	3	3	72.00 [1829]	YES	YES	7

ViewPoint™ Wedge 18" Work Surface

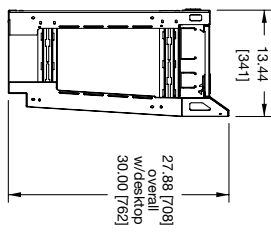
All dimensions in inches unless otherwise noted [All dimensions in brackets are in millimeters]



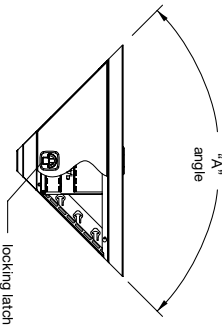
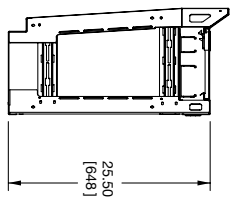
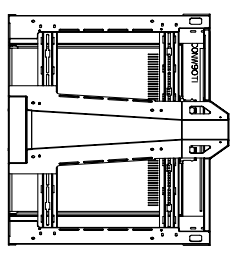
3.00 [76] x 1.50 [38] OB on 45° and 90° standard DJ and WS wedges only



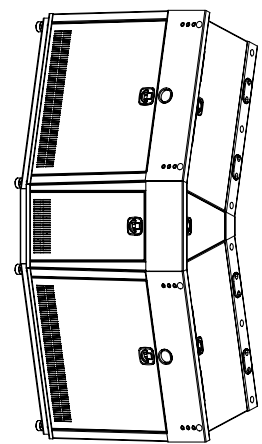
REAR VIEW



FRONT VIEW



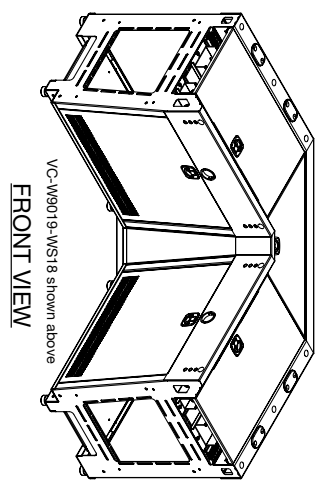
TOP VIEW



FRONT VIEW

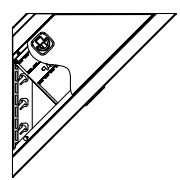
VC-FW3019-WS18 shown below reverse wedge

scale 1/32

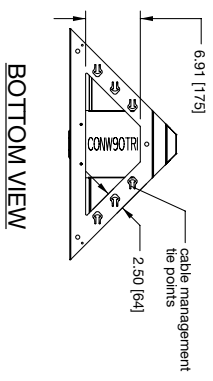


FRONT VIEW

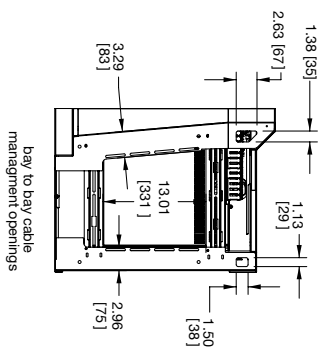
VC-W9019-WS18 shown above



Part #	"A" Angle	"B" Width	Cable Ducts	Rear Door	Front Door
VC-W1519-WS18	15°	7.47 [188]	N/A	N/A	N/A
VC-W219-WS18	22.5°	9.85 [250]	N/A	N/A	N/A
VC-W3019-WS18	30°	12.29 [312]	N/A	Y	N/A
VC-W4519-WS18	45°	16.98 [431]	Y	Y	N/A
VC-W9019-WS18	90°	29.21 [742]	Y	Y	N/A
VC-RW1519-WS18	-15°	2.53 [64]	N/A	N/A	N/A
VC-RW2219-WS18	-22.5°	2.54 [65]	N/A	N/A	N/A
VC-RW3019-WS18	-30°	2.55 [65]	N/A	N/A	Y



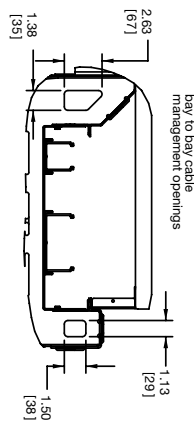
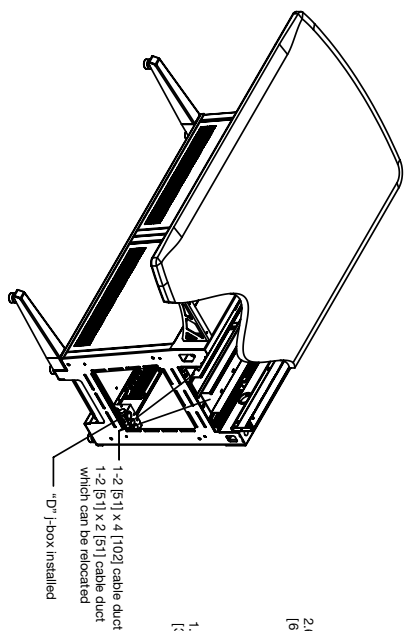
BOTTOM VIEW



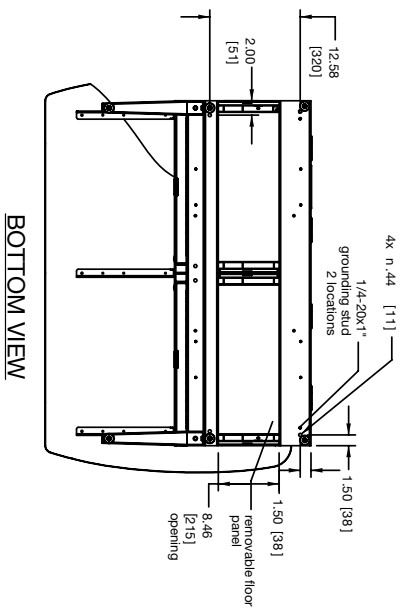
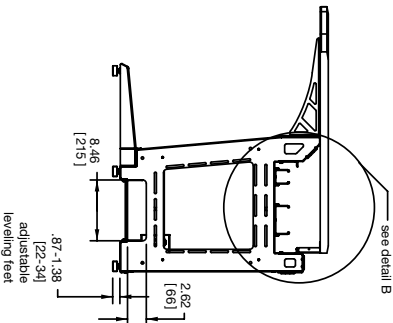
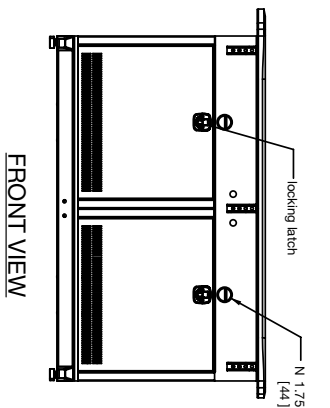
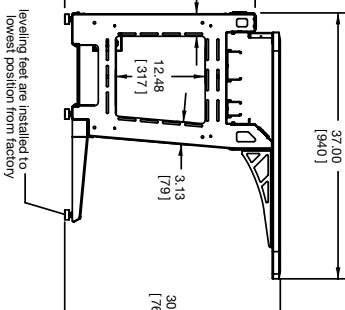
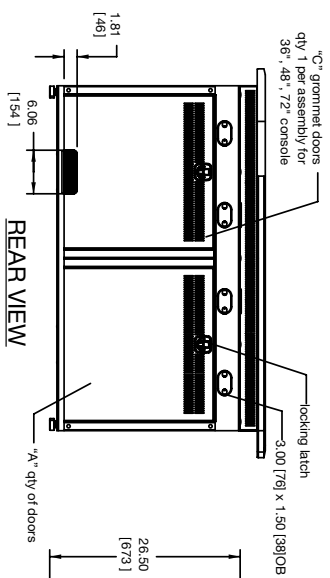
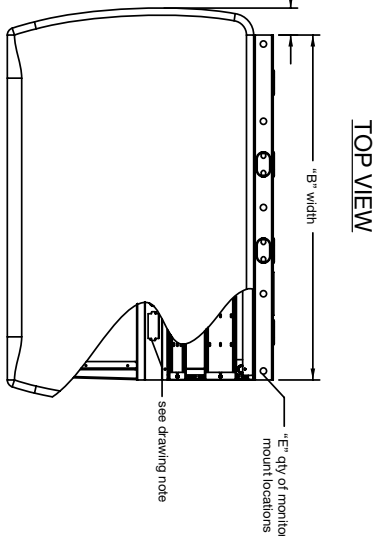
bay to bay cable management openings



ViewPoint™ 34" Desktop



DETAIL B
scale 1/8



BOTTOM VIEW

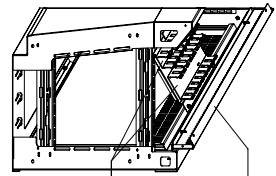
Part#	"A" Quantity of Doors	"B" Width	"C" Grommet Doors	"D" Grommet Doors	"E" Quantity Monitor Mount Locations
VC-619-DT34	N/A	6.00 [152]	NO	NO	N/A
VC-1219-DT34	2	12.00 [305]	NO	NO	1
VC-2419-DT34	2	24.00 [610]	NO	NO	3
VC-3619-DT34	4	36.00 [914]	YES	YES	5
VC-4819-DT34	4	48.00 [1219]	YES	YES	5
VC-7219-DT34	6	72.00 [1829]	YES	YES	7

All dimensions in inches unless otherwise noted [All dimensions in brackets are in millimeters]



ViewPoint™ Wedge 34" Work Surface

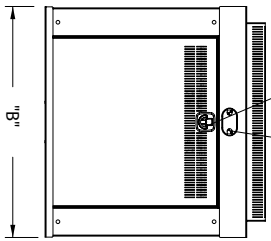
All dimensions in inches unless otherwise noted [All dimensions in brackets are in millimeters]



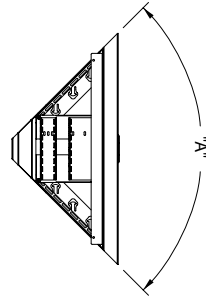
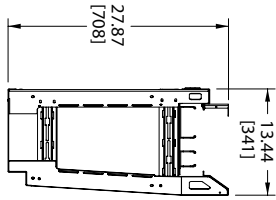
DT series wedges come with pre-installed rear filler panels

1-2 [51] x 4 [102] cable duct
1-2 [51] x 2 [51] cable duct

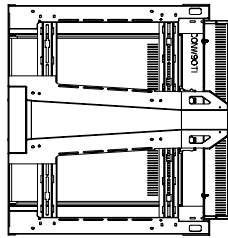
3.00 [76] x 1.50 [38] OB
on 45° and 90° standard
DT and WS wedges only



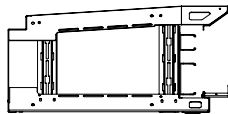
REAR VIEW



TOP VIEW

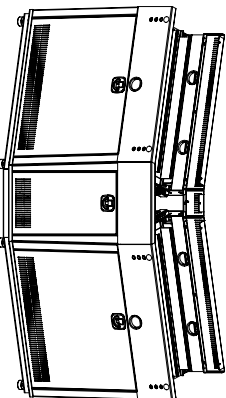


FRONT VIEW

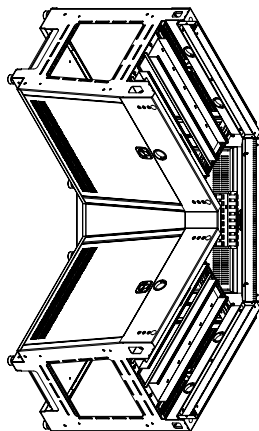


FRONT VIEW

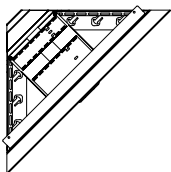
VC-RW3019-DT34 shown below
reverse wedge



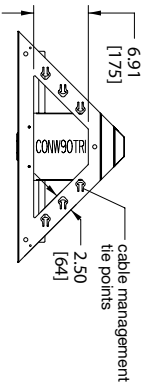
SCALE 1/32



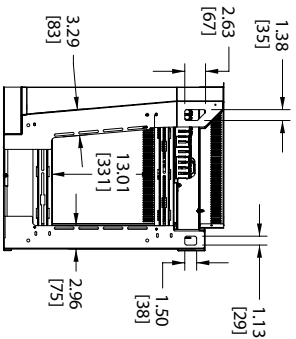
VC-RW3019-DT34 shown above
FRONT VIEW



BOTTOM VIEW



cable management
the points

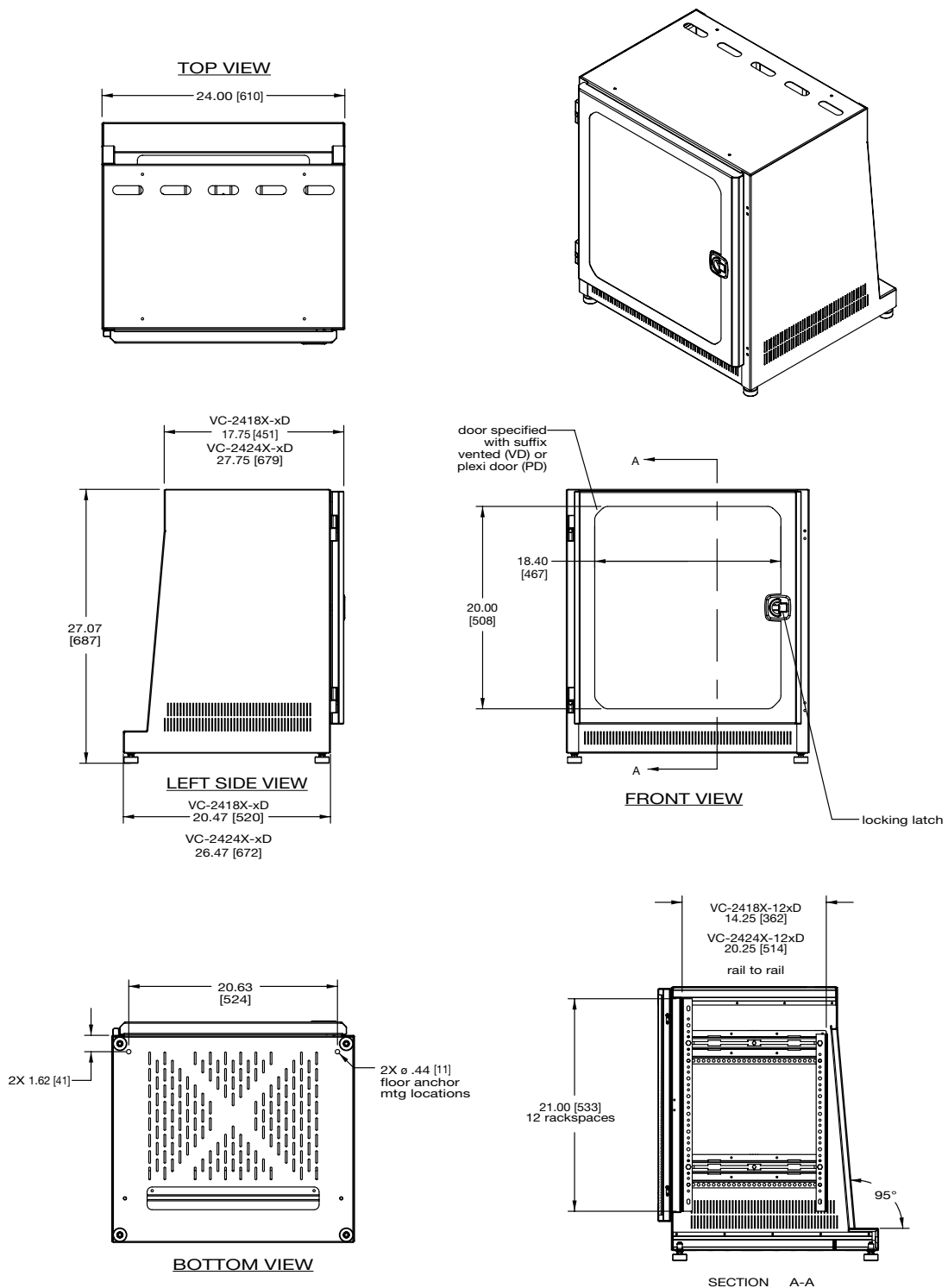


bay to bay cable
management openings

Part #	"A" Angle	"B" Width	Cable Ducts	Rear Door	Front Door
VC-W1519-DT34	15°	7.42 [188]	N/A	N/A	N/A
VC-W2219-DT34	22.5°	9.85 [250]	N/A	N/A	N/A
VC-W3019-DT34	30°	12.29 [312]	N/A	Y	N/A
VC-W4519-DT34	45°	16.98 [421]	Y	Y	N/A
VC-W9019-DT34	90°	29.21 [742]	Y	Y	N/A
VC-RW1519-DT34	-15°	2.53 [64]	N/A	N/A	N/A
VC-RW2219-DT34	-22.5°	2.54 [65]	N/A	N/A	N/A
VC-RW3019-DT34	-30°	2.55 [65]	N/A	N/A	Y



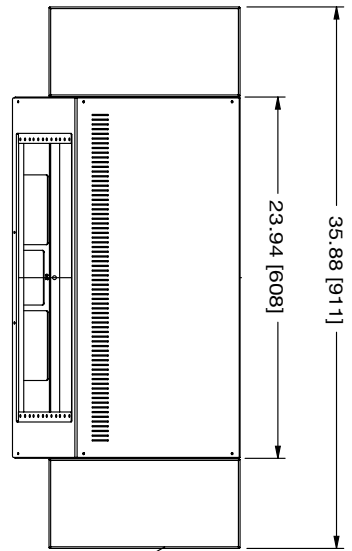
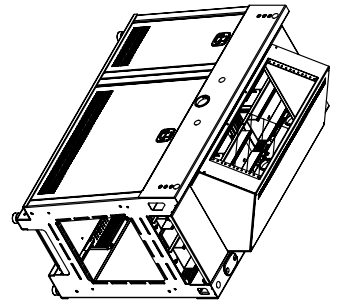
ViewPoint™ Extender Bay



All dimensions in inches unless otherwise noted [All dimensions in brackets are in millimeters]

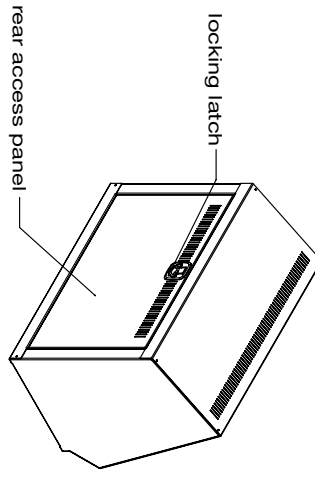


ViewPoint™ Turret



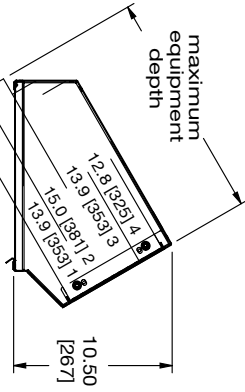
TOP VIEW

side access panels for 36" wide turrets



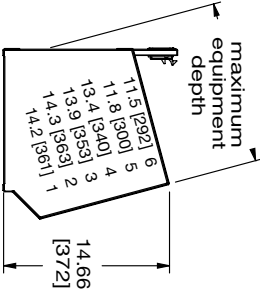
locking latch

rear access panel

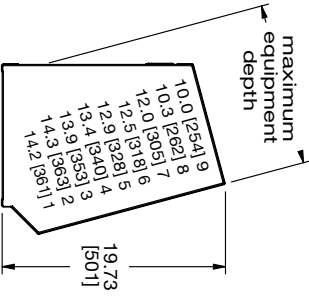


VC-TRXX19-4

FRONT VIEW
access to outlets and low voltage provisions



VC-TRXX19-6



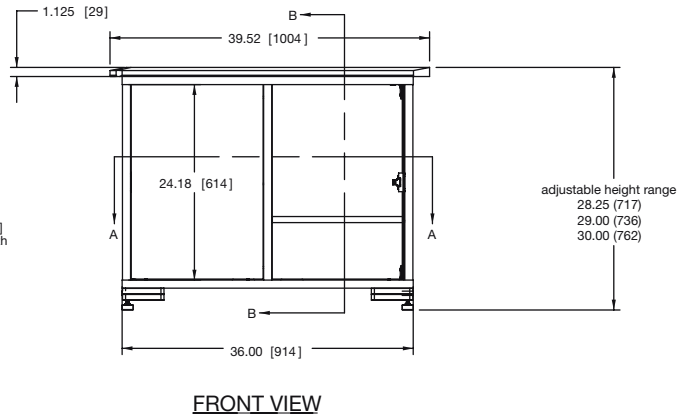
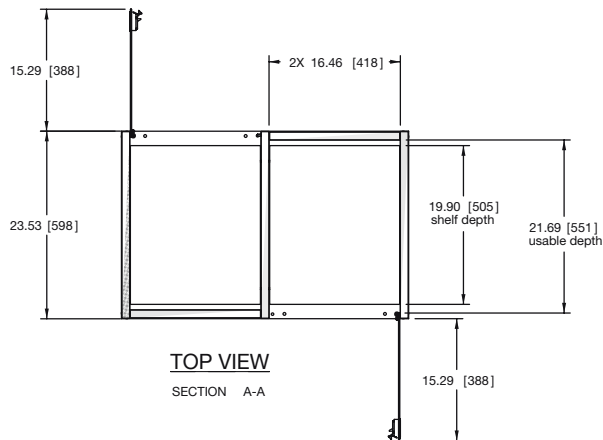
VC-TRXX19-9

Part #	Rack Units	Side Access Panels	Rear Access Panel
VC-TR2419-4	4	NO	NO
VC-TR3619-4	4	YES	NO
VC-TR2419-6	6	NO	YES
VC-TR3619-6	6	YES	YES
VC-TR2419-9	9	NO	YES
VC-TR3619-9	9	YES	YES

All dimensions in inches unless otherwise noted [All dimensions in brackets are in millimeters]



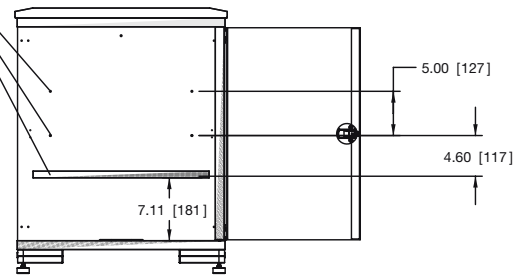
ViewPoint™ Storage Cabinet



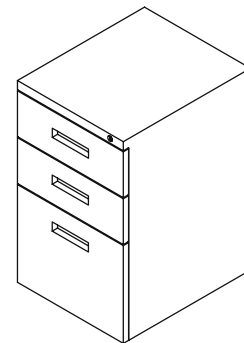
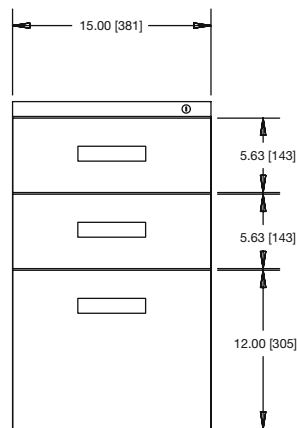
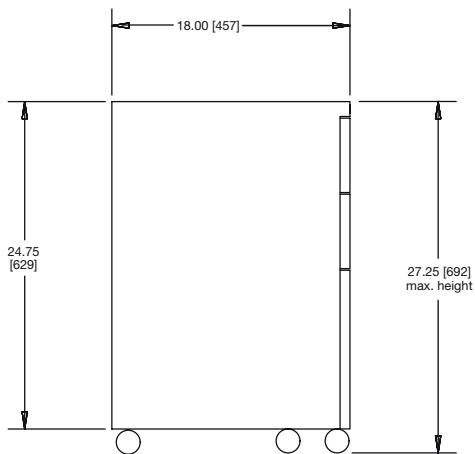
optional mounting holes
for 2 shelves included

Notes:
Includes 2 positionable
glass doors and covers

Cabinet adds 37.52 [953]
in length when attached
to console. Length of
free-standing cabinet
VC-C3624GDFS-XX
is 39.00 [991]



ViewPoint™ File Cabinet



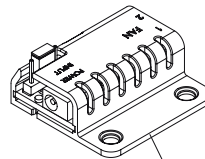
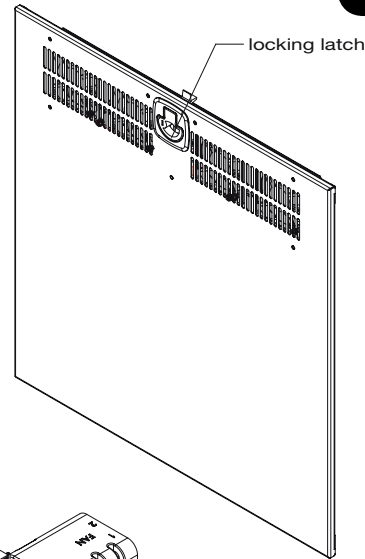
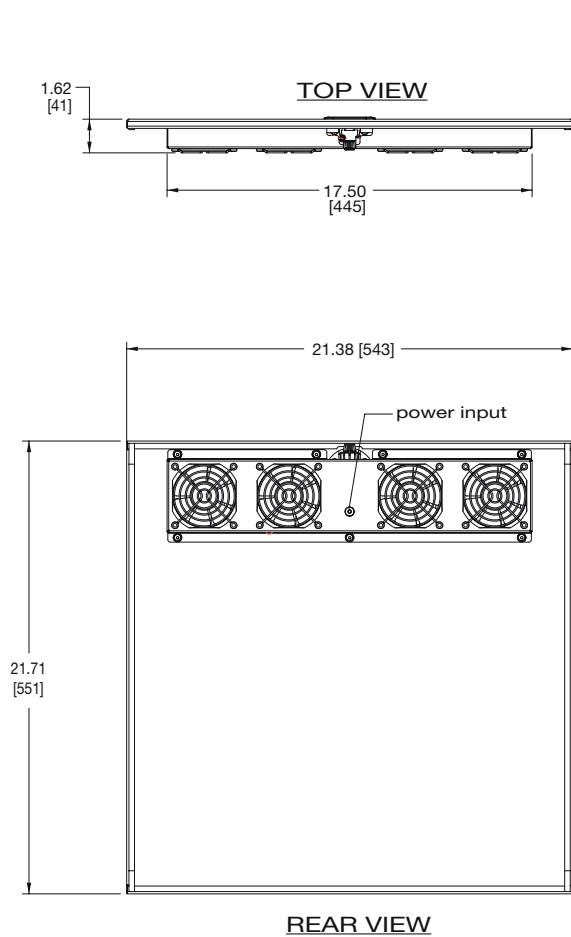
NOTE: Casters, Keys and Tray also included

All dimensions in inches unless otherwise noted [All dimensions in brackets are in millimeters]



ViewPoint™ Rear Fan Door

All dimensions in inches unless otherwise noted [All dimensions in brackets are in millimeters]

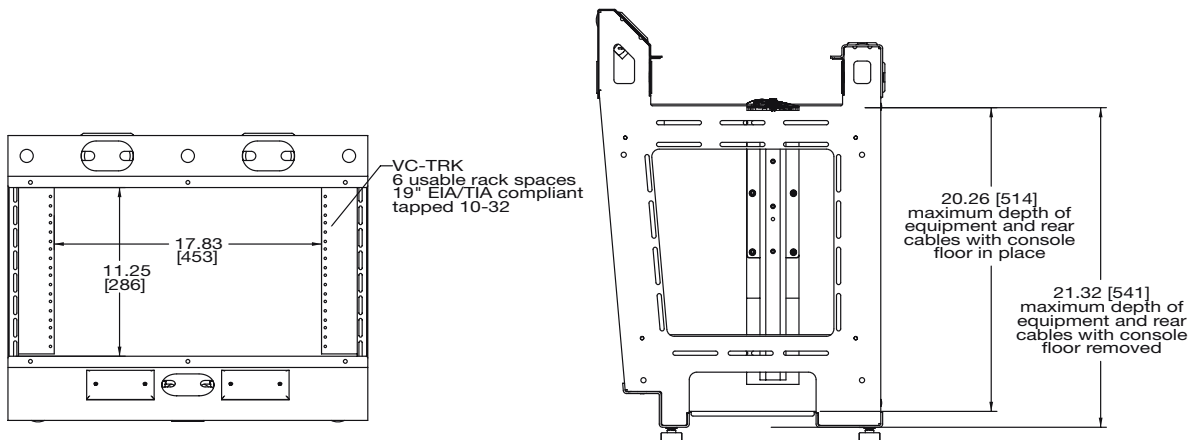


inline fan controller also supplied to be mounted in highest position available on sidewall in console or bay.

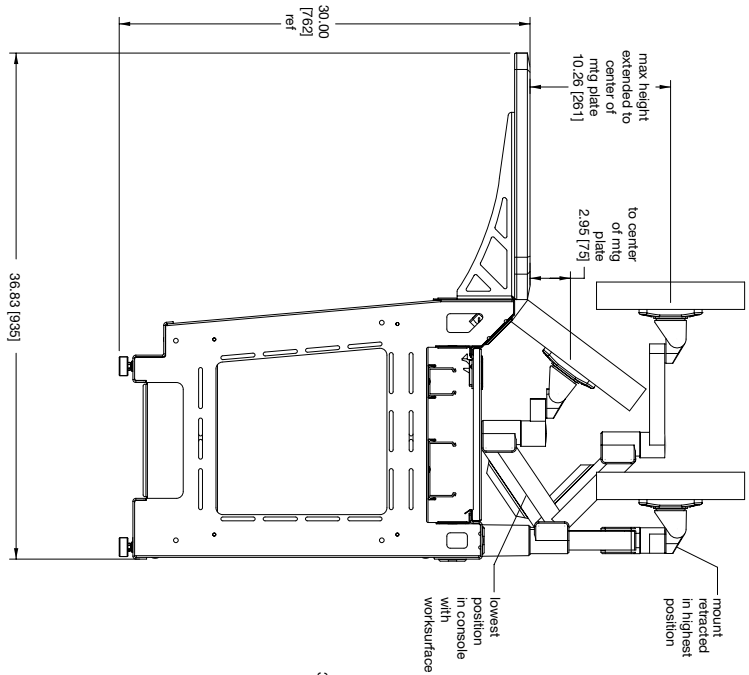
NOTE:

Rear Fan Door Specifications:
 Fan Quantity: 4
 Airflow: 100 CFM
 Noise at Full Speed: 27 dB
 Current Draw: 0.6A @12VDC

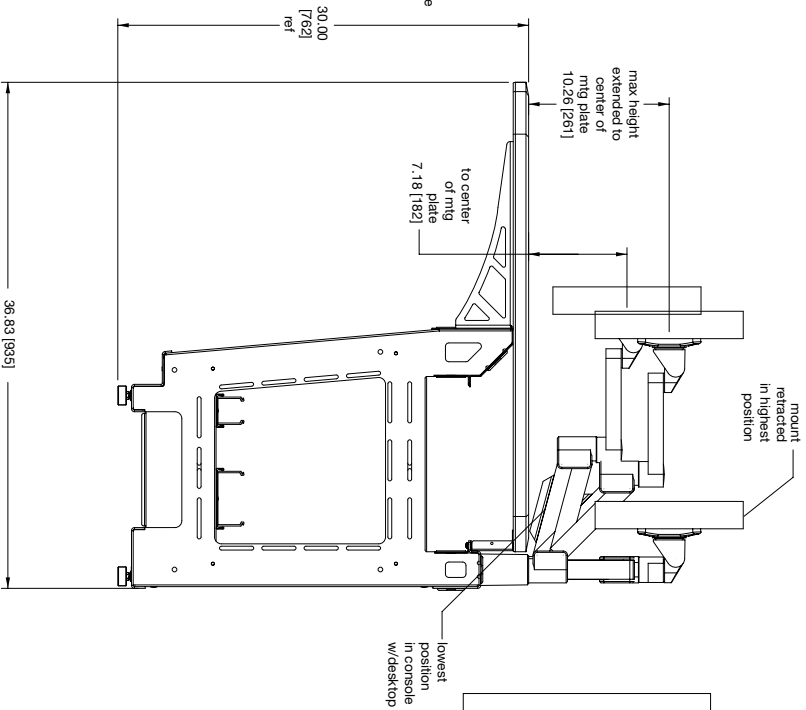
ViewPoint™ Top Rail Kit



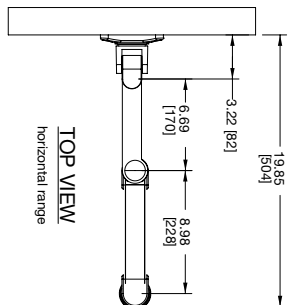
ViewPoint™ Single Monitor Mount



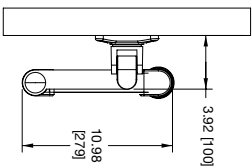
MONITOR MOUNTS IN CONSOLE WITH
18" DEEP WORKSURFACE



MONITOR MOUNTS IN CONSOLE WITH
34" DEEP DESKTOP



TOP VIEW
horizontal range



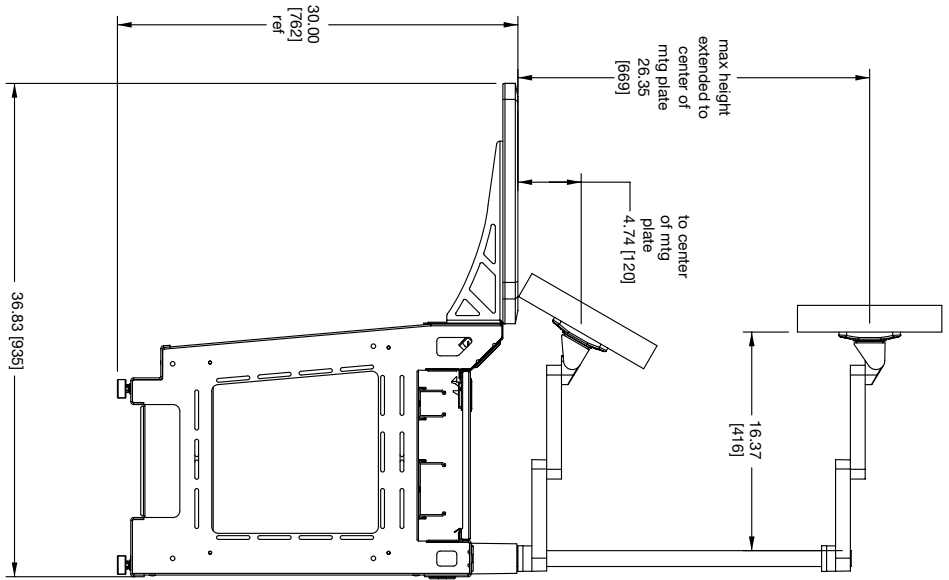
TOP VIEW
arm fold

- NOTES:
- 1) ALL DIMENSIONS ARE IN FORMAT OF IN [MM].
 - 2) ROTATION.....360° AT THREE JOINTS
 - 3) MONITOR TILT.....200°
 - 4) MONITOR PIVOT.....LANDSCAPE TO PORTRAIT
 - 6) MONITOR COMPATIBILITY.....VESA 75MM AND 100MM
 - 7) CABLE MANAGEMENT.....CABLES ARE CONCEALED IN ARM
 - 8) MONITOR WEIGHT/MODEL NUMBER.....13-28 LBS./VC-MM1X1

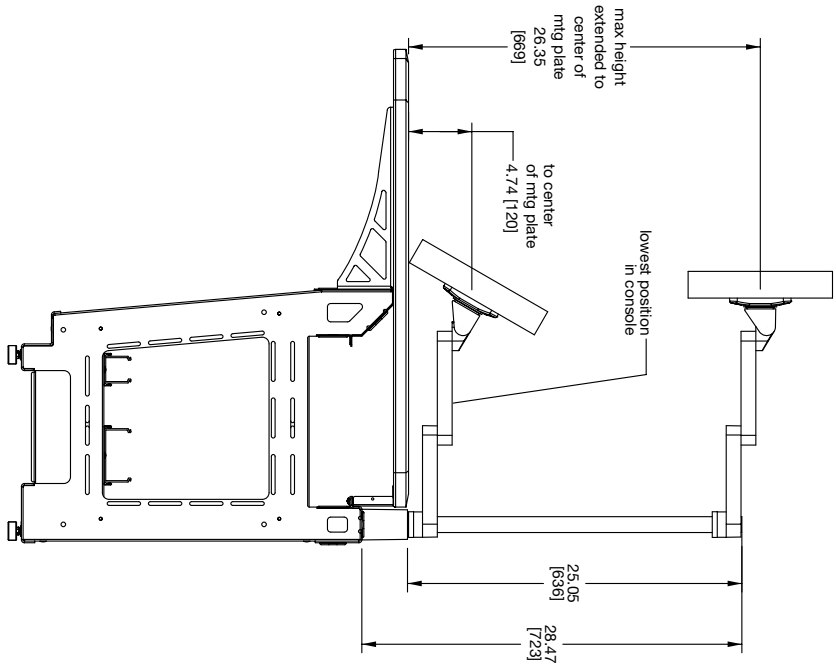


ViewPoint™ Dual Vertical Monitor Mount

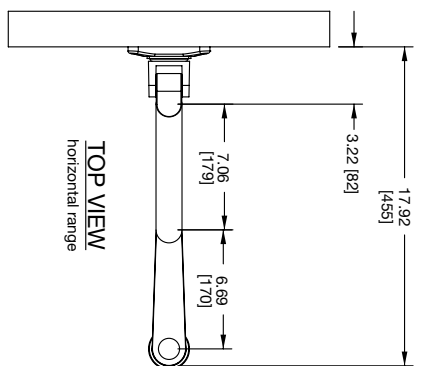
All dimensions in inches unless otherwise noted [All dimensions in brackets are in millimeters]



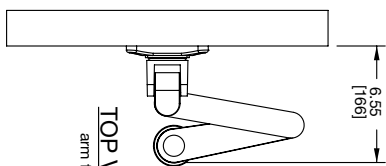
MONITOR MOUNTS IN CONSOLE WITH
18" DEEP WORKSURFACE



MONITOR MOUNTS IN CONSOLE WITH
34" DEEP DESKTOP



TOP VIEW
horizontal range



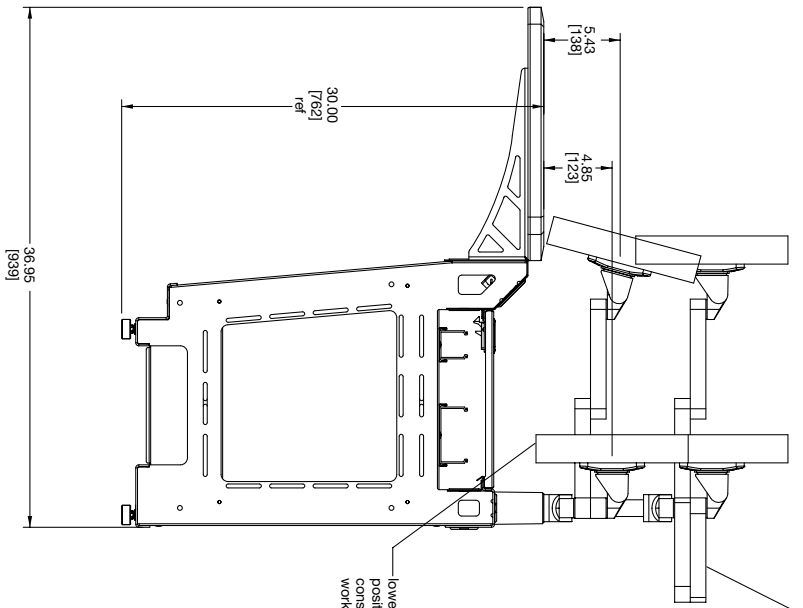
TOP VIEW
arm fold

- NOTE(S):
- 1) HORIZONTAL RANGE.....16"
 - 2) POLE HEIGHT.....28"
 - 3) MONITOR TILT.....200°
 - 4) MONITOR PIVOT.....LANDSCAPE TO PORTRAIT
 - 5) MONITOR COMPATIBILITY.....VESA 75MM AND 100MM
 - 6) MONITOR WEIGHT.....UP TO 40 LBS PER MONITOR

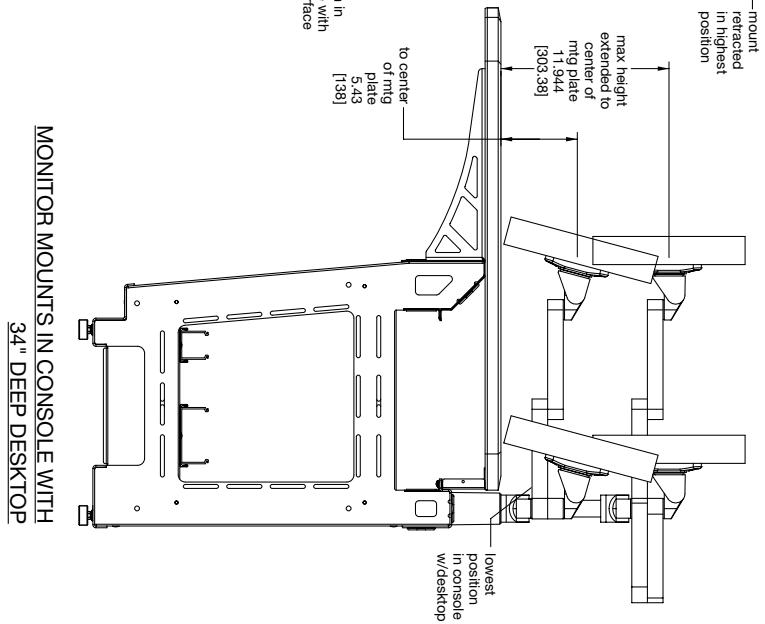


ViewPoint™ Dual Horizontal Monitor Mount

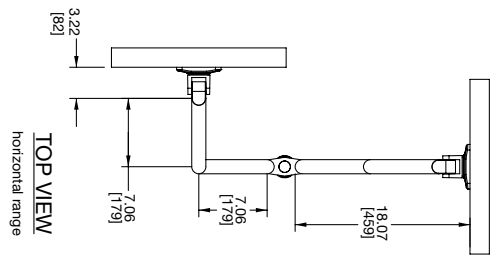
All dimensions in inches unless otherwise noted [All dimensions in brackets are in millimeters]



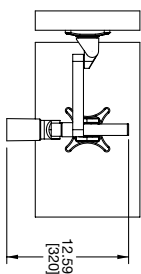
MONITOR MOUNTS IN CONSOLE WITH
18" DEEP WORKSURFACE



MONITOR MOUNTS IN CONSOLE WITH
34" DEEP DESKTOP



TOP VIEW
horizontal range



SIDE VIEW

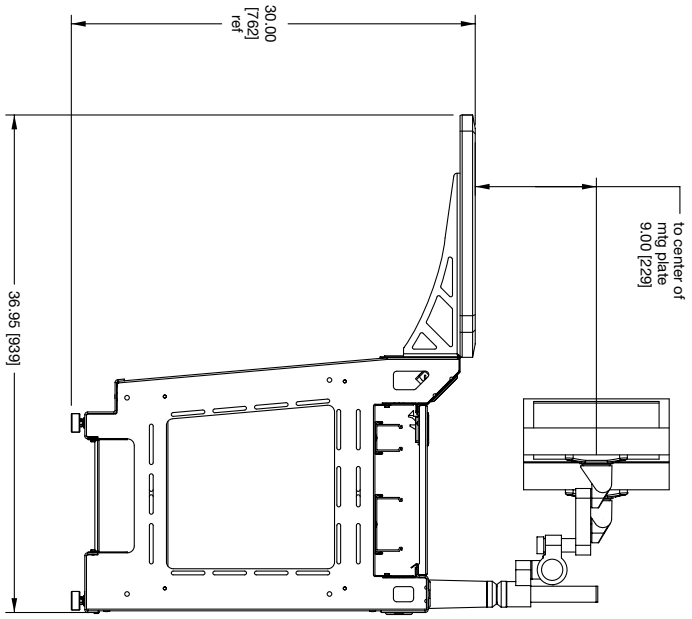
- NOTES:
- 1) HORIZONTAL RANGE.....17.5"
 - 2) POLE HEIGHT.....12"
 - 3) MONITOR TILT.....20°
 - 4) MONITOR PIVOT.....LANDSCAPE TO PORTRAIT
 - 5) MONITOR COMPATIBILITY.....VESA 75MM AND 100MM
 - 6) MONITOR WEIGHT.....UP TO 25LBS PER MONITOR



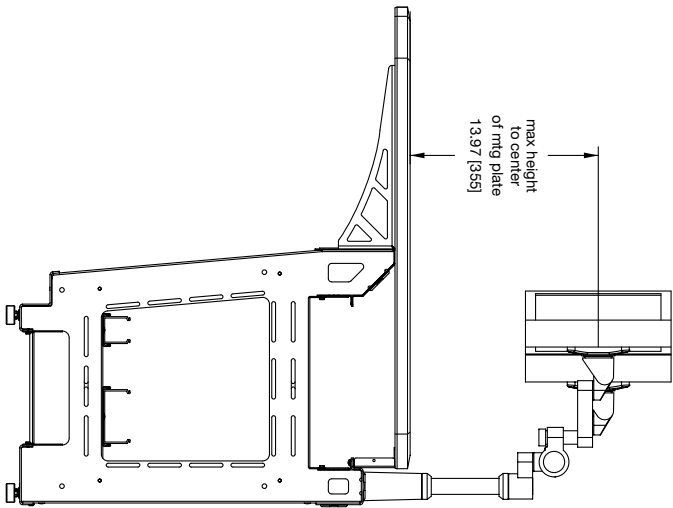
Middle Atlantic Products

ViewPoint™ Triple Horizontal Monitor Mount

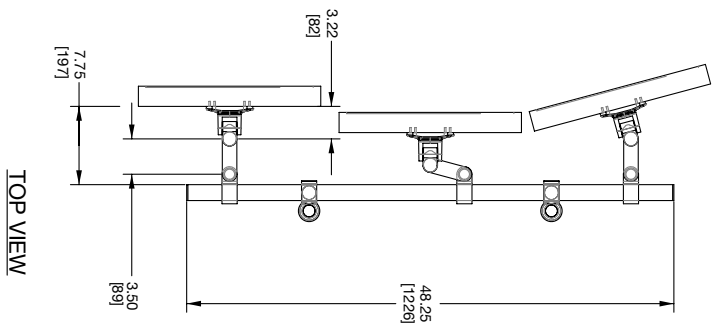
All dimensions in inches unless otherwise noted [All dimensions in brackets are in millimeters]



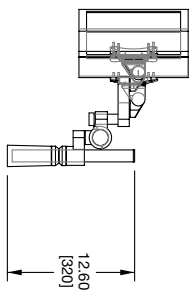
MONITOR MOUNTS IN CONSOLE WITH
18" DEEP WORKSURFACE



MONITOR MOUNTS IN CONSOLE WITH
34" DEEP DESKTOP



TOP VIEW



SIDE VIEW

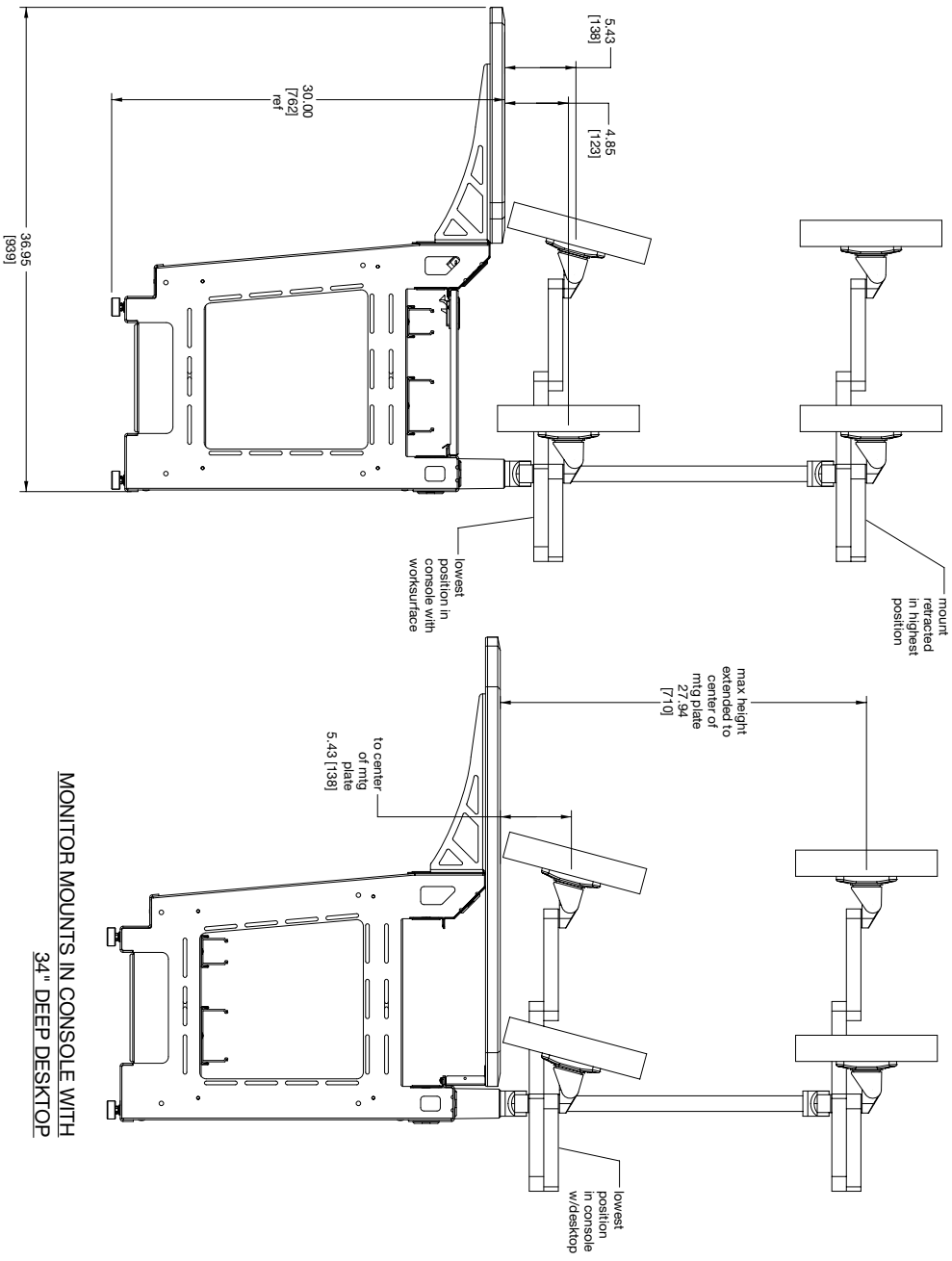
- NOTES:
- 1) SUSPEND UP TO 3 MONITORS ABOVE DESK.
 - 2) INCLUDES CABLE MANAGEMENT
 - 3) QUICK AND SIMPLE SET-UP POSITION MONITORS AT ANY POINT ALONG CENTER BEAM
 - 4) COMPATIBLE WITH ALL VESA MOUNTS 75MM AND 100MM, 75MM AND 100MM ADAPTERS INCLUDED.
 - 5) ADJUST MONITOR HEIGHT IN 1" INCREMENTS.
 - 6) SUPPORTS MONITORS UP TO 30LBS.



Middle Atlantic Products

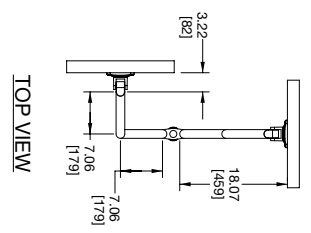
ViewPoint™ Quadruple Monitor Mount, Two Rows of Two

All dimensions in inches unless otherwise noted [All dimensions in brackets are in millimeters]

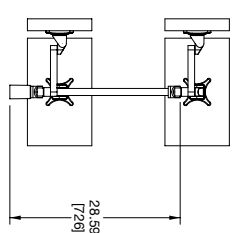


MONITOR MOUNTS IN CONSOLE WITH
18" DEEP WORKSURFACE

MONITOR MOUNTS IN CONSOLE WITH
34" DEEP DESKTOP



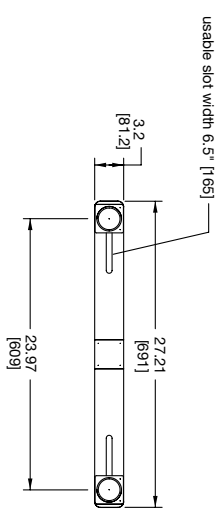
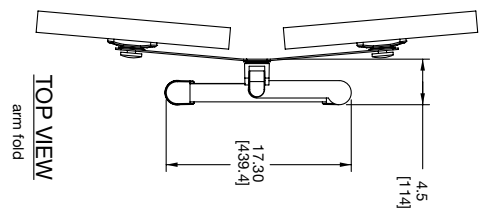
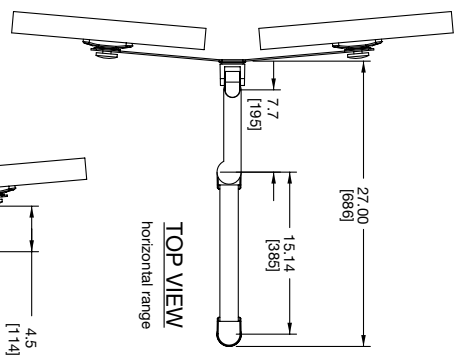
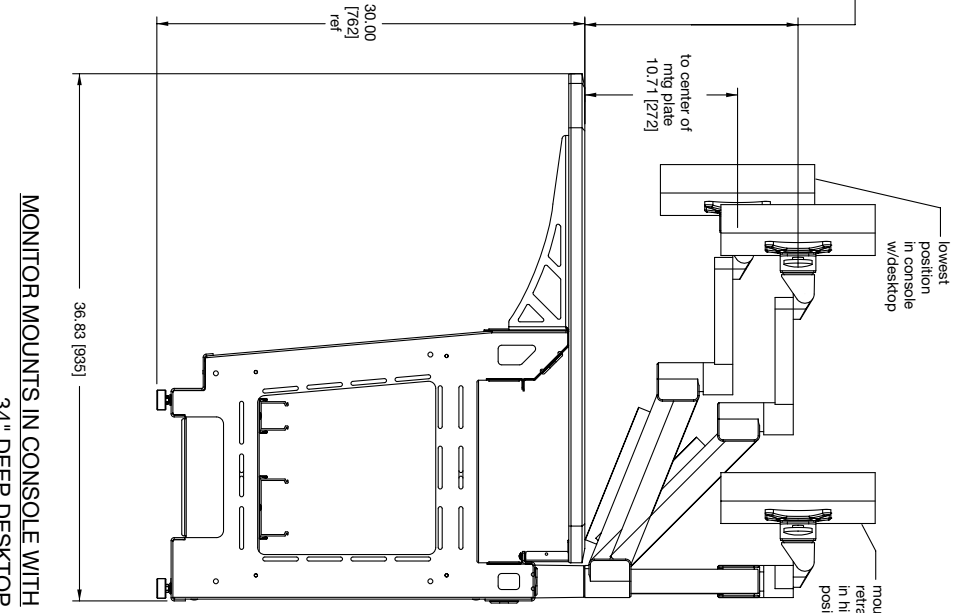
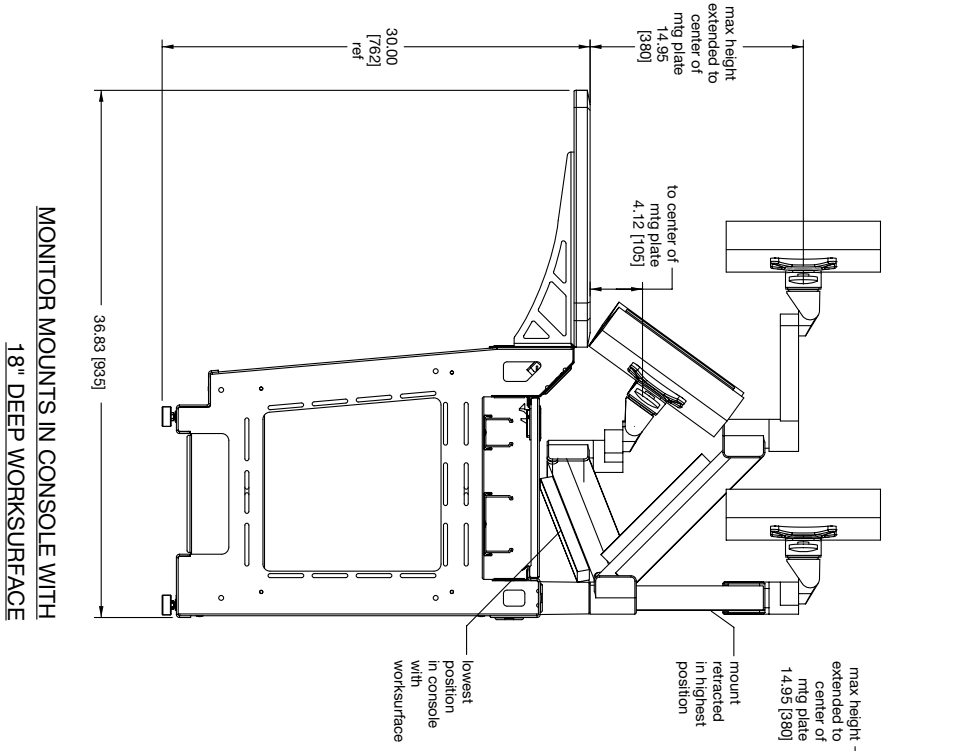
TOP VIEW



SIDE VIEW

- NOTES:
- 1) HORIZONTAL RANGE.....17.5"
 - 2) POLE HEIGHT.....28"
 - 3) MONITOR TILT.....200°
 - 4) MONITOR PIVOT.....LANDSCAPE TO PORTRAIT
 - 5) MONITOR COMPATIBILITY.....YESA 75MM AND 100MM
 - 6) MONITOR WEIGHT.....UP TO 22LBS PER MONITOR

ViewPoint™ Dual Monitor Mount, Horizontal or Vertical



MONITOR MOUNTS IN CONSOLE WITH
18" DEEP WORKSURFACE

MONITOR MOUNTS IN CONSOLE WITH
34" DEEP DESKTOP

TOP VIEW
horizontal range

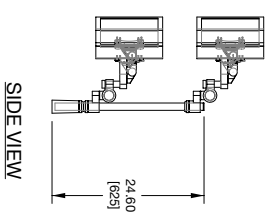
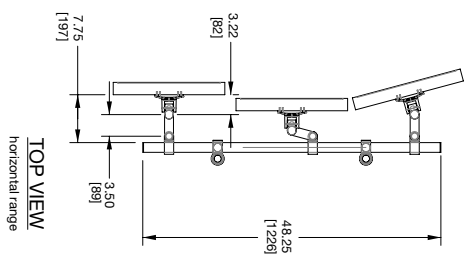
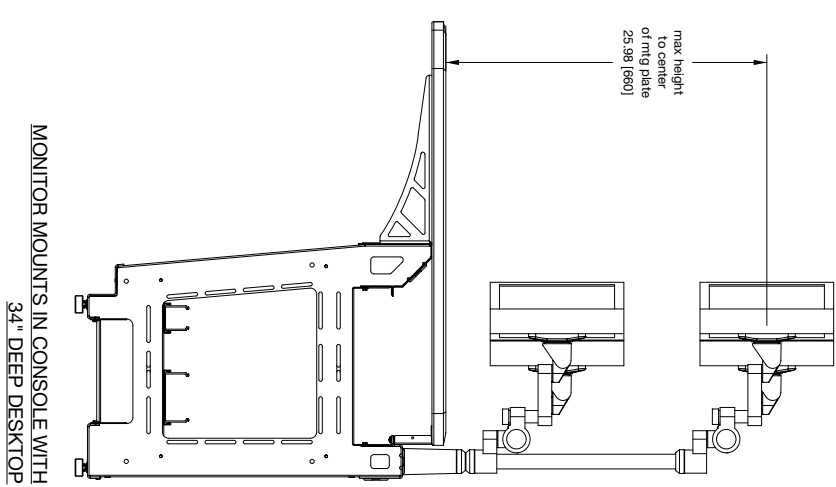
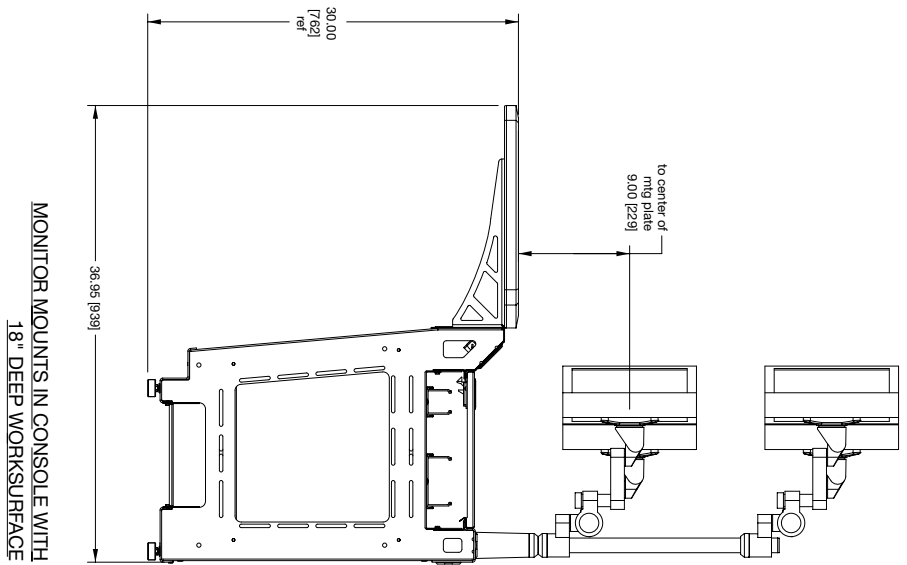
TOP VIEW
arm fold

- NOTES:**
- 1) ALL DIMENSIONS ARE IN FORMAT OF IN [MM].
 - 2) ROTATION.....360°
 - 3) MONITOR TILT.....200°
 - 4) MONITOR PIVOT.....LANDSCAPE TO PORTRAIT
 - 6) MONITOR COMPATIBILITY.....VESA 75MM AND 100MM
 - 7) CABLE MANAGEMENT.....CABLES ARE CONCEALED IN ARM
 - 8) MONITOR WEIGHT/MODEL NUMBER.....9-21 LBS./VC-MM11X2PL



ViewPoint™ Monitor Mount, Two Rows of Three

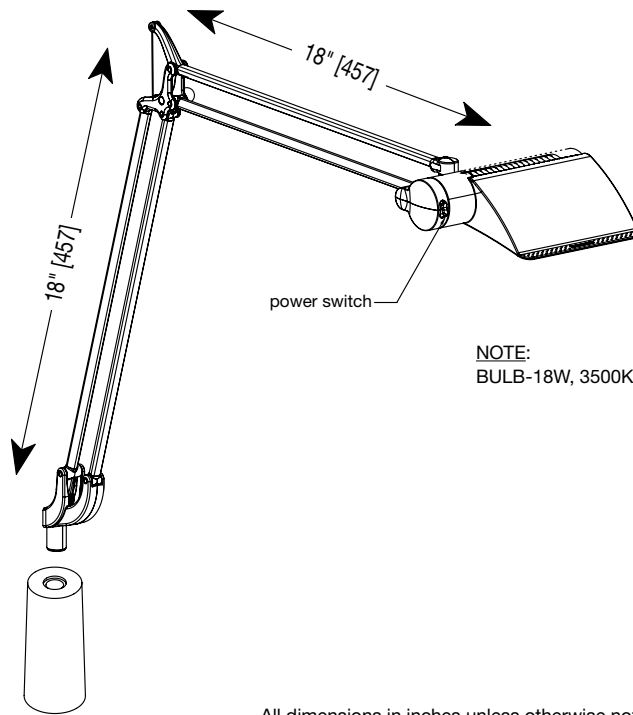
All dimensions in inches unless otherwise noted [All dimensions in brackets are in millimeters]



- NOTES:
- 1) SUSPEND UP TO 6 MONITORS ABOVE DESK.
 - 2) INCLUDES CABLE MANAGEMENT
 - 3) QUICK AND SIMPLE SET-UP POSITION MONITORS AT ANY POINT ALONG CENTER BEAM
 - 4) COMPATIBLE WITH VESA MOUNTS 75MM AND 100MM, 75MM AND 100MM ADAPTERS INCLUDED.
 - 5) ADJUST MONITOR HEIGHT IN 1" INCREMENTS.
 - 6) SUPPORTS MONITORS UP TO 25LBS.



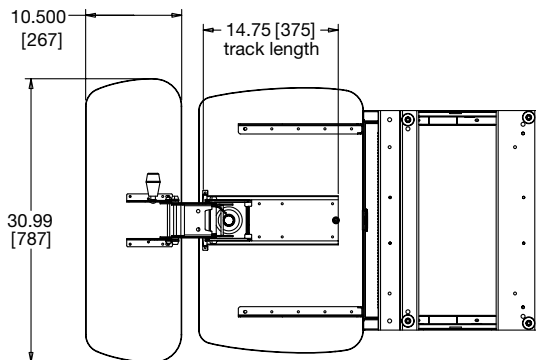
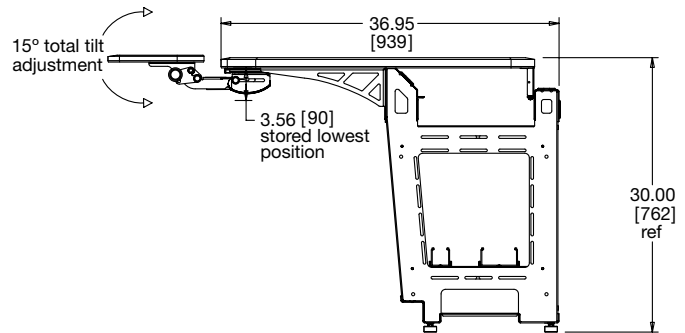
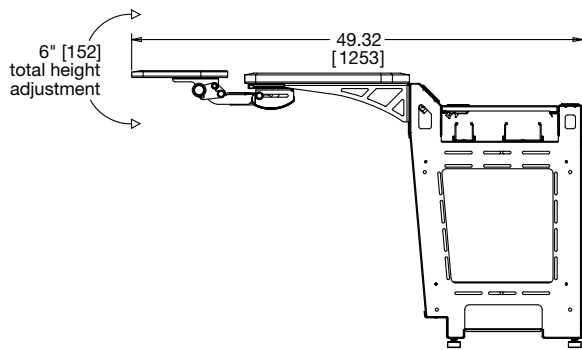
ViewPoint™ Task Light



NOTE:
BULB-18W, 3500K, GU24 Base (standard)

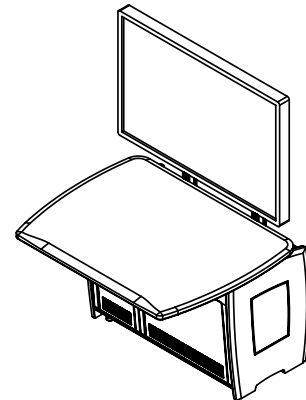
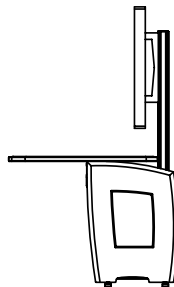
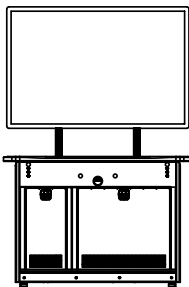
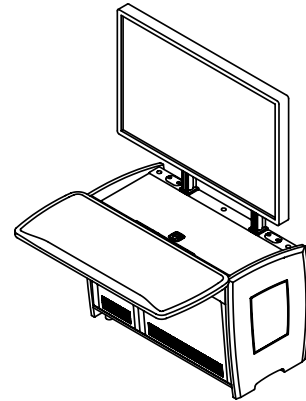
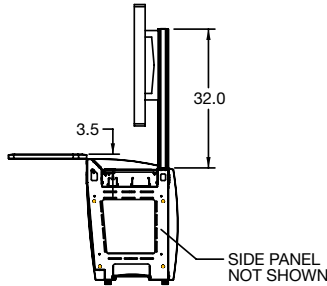
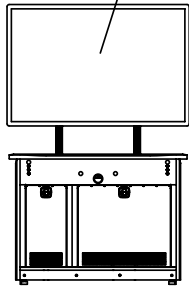
All dimensions in inches unless otherwise noted [All dimensions in brackets are in millimeters]

ViewPoint™ Keyboard Tray



ViewPoint™ Large Format Monitor Mount basic dimensions

2 MONITOR MOUNT MODELS
 VC-MM32X41 FOR 32" TO 41" MONITORS (SCREEN SIZE)
 VC-MM42X63 FOR 42" TO 63" MONITORS (SCREEN SIZE)



VC-MM-32X41

DISTANCE BETWEEN POLES, ON CENTER (MINIMUM)-10.25"
 DISTANCE BETWEEN POLES, ON CENTER (MAXIMUM)-19.5"

VC-MM32X41

MINIMUM HEIGHT-17"
 MINIMUM WIDTH-23"

VC-MM-42X63

DISTANCE BETWEEN POLES, ON CENTER (MINIMUM)-10.25"
 DISTANCE BETWEEN POLES, ON CENTER (MAXIMUM)-31.0"

VC-MM42X63

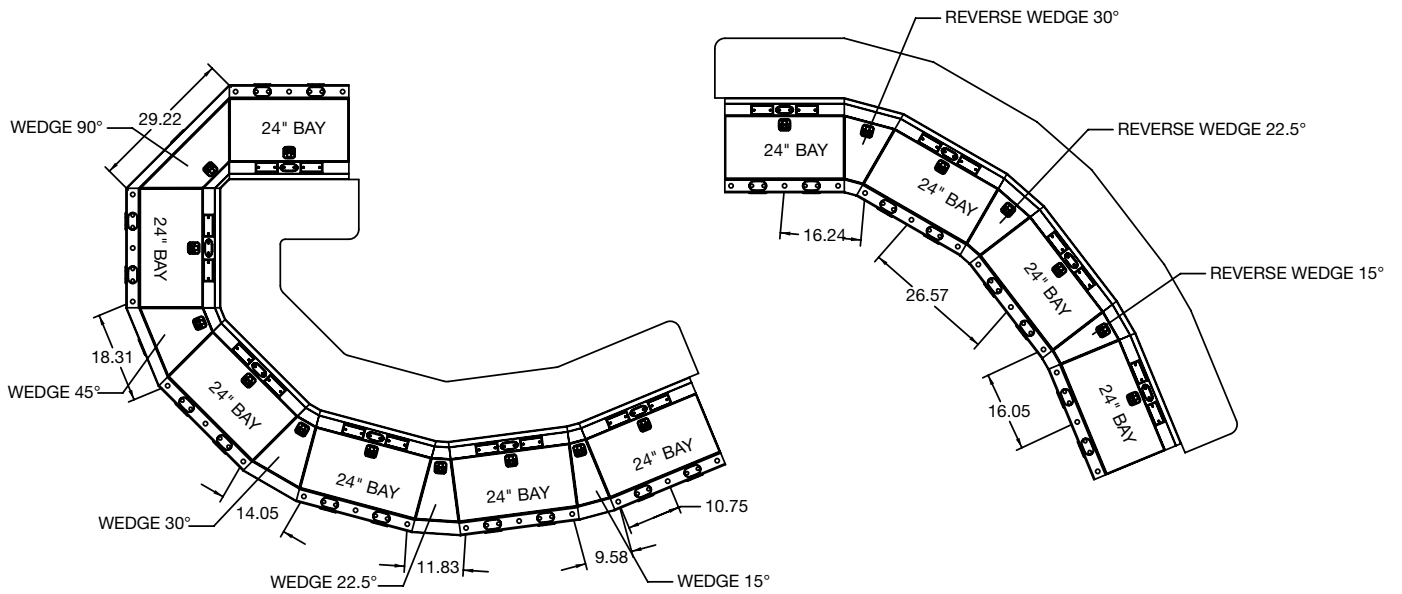
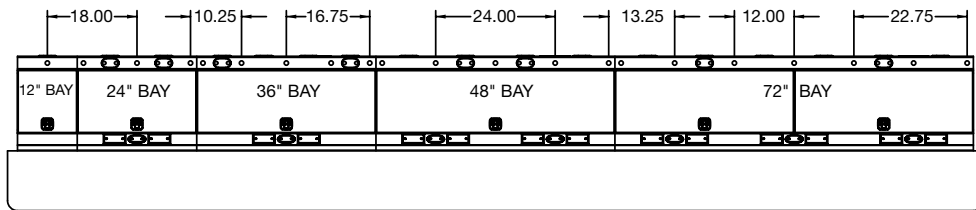
MINIMUM HEIGHT-37"
 MINIMUM WIDTH-60"

MAXIMUM HEIGHT IS DETERMINED BY MEASURING FROM THE HIGHEST MOUNTING SCREW ON THE REAR OF THE MONITOR TO THE TOP OF THE MONITOR AND ADDING 31".

All dimensions in inches unless otherwise noted [All dimensions in brackets are in millimeters]



ViewPoint™ Large Format Monitor Mounting Details



All dimensions in inches unless otherwise noted [All dimensions in brackets are in millimeters]

