



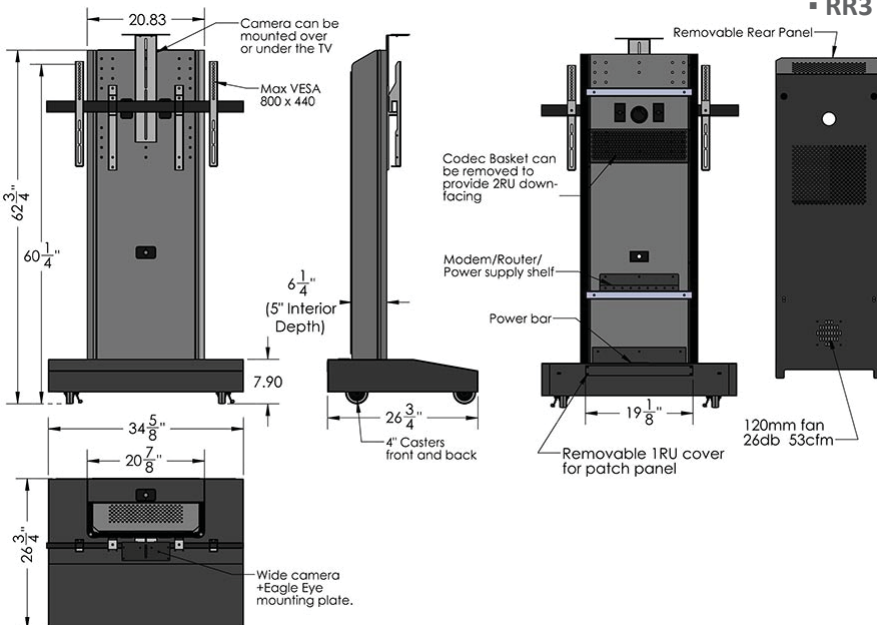
The **TP1000-S** mobile telepresence stand for single monitors provides a clean modern look for a wide range of video conferencing and flat panel display applications. It features a self supporting frame with built in shelves engineered for all common video conference codecs and accessories. It also includes 4" casters for positioning after setup.

Standard Features

- Accommodates 40" - 80" displays (160 lbs max and 800mm x 440mm spacing)
- Scratch resistant thermal wrap finish available in many colors (Standard color is black)
- Adjustable TV bracket height during setup
- Adjustable camera mount for mounting above or below TV
- Wiring channel inside main pillar
- Includes 3U mounted codec basket, 1U rear jack panel, electronics shelf and a 6 outlet power bar with 10 ft. cord mounted inside
- Base is weighted
- FAN 120mm quiet fan 53 CFM
- 4" heavy duty casters (2 locking)

Options

- **PB** Six outlet power bar with 10 ft. cord
- **SBB** Sound bar bracket
- **PM2-ARM** Side mounting camera bracket
- **CBB-TV** Under TV camera bracket (26" - 80" TV's)
- **BKT-C20** C20 Codec bracket
- **BKT-SX20** SX20 Codec bracket
- **SH-TP-B** 3/4" Black thermal wrap finish front shelf
- **FEET** Adjustable height feet for non-mobile installs
- **RR3** Additional 3U rack rails



Specifications

Model: TP1000-S
Width: 34 5/8"
Depth: 26 3/4"
Height: 62 3/4"

Finishes*



*Standard color is black

The information contained in this drawing is the sole property of Audio Visual Furniture International. Any reproduction in part or as a whole without the written permission of Audio Visual Furniture International is prohibited. We can build or modify stock configurations to suit customer specifications. Please contact us to discuss how this service can help meet your needs. Some quantity restrictions may apply. Specification subject to change without notice. Computers, cameras, monitors, etc. are shown to illustrate product usage and are not included unless otherwise noted.