

Welcome!

We greatly appreciate your purchase of your TNP358 Series Tilt 'N Plug. You will find the TNP358 to be reliable and simple to use. We are committed to providing the best Signal Management Solutions® to our customers.

We are committed to providing our customers with Signal Management Solutions® to the most demanding audiovisual installations at competitive pricing and we welcome you to join the ranks of our many satisfied customers throughout the world.

1. Precautions and Safety Warnings

Please read this manual carefully before using your TNP358 Tilt 'N Plug interconnect box. Keep this manual handy for future reference. These safety instructions are to ensure the long life of your Tilt 'N Plug and to prevent fire and shock hazards.

1.1 General

- Unauthorized personnel shall not open the unit or cable assembly as there are high-voltage components inside. Only qualified Altinex service personnel or their authorized representatives must perform all service.

2. Installation Procedures

Note: Download and read the entire online manual to become familiar with the TNP358 and for detailed installation instructions.

- Step 1. Cut an opening into the table's surface. Refer to the Altinex website at <http://www.altinex.com/> for table cutout requirements. This operation should be performed by experienced professionals in order to insure accuracy and to be aesthetically pleasing.

NOTE: The table should be 2.25 in (57 mm) or less in thickness. Always confirm dimensions before cutting to insure that specifications have not changed.

- Step 2. Insert the TNP358 into the table cutout.
- Step 3. Place the support brackets under the table between the support mount grooves on the side of the unit. Attach the brackets to the groove at the desired height and secure them to the bottom of the table using the knurled table securing screws. Tighten wing nuts to secure the screw in place.
- Step 4. To lower the unit, push on the top cover until it locks into place.
- Step 5. Secure the power cable to the underside of the table using the cable clamps and screws included. Feed the power cord from the bottom of the TNP through the cable clamps, but leave enough slack in the service loop for easy opening and closing. Too much slack can cause excess drooping of the service loop. Secure the power cord separate from other cables.
- Step 6. To raise the unit into position, push down on the front of the top cover to release the latching mechanism, allowing the TNP to raise it into position.

NOTE: It may be necessary to adjust the power cable service loop for optimal performance.

3. Limited Warranty/Return Policies

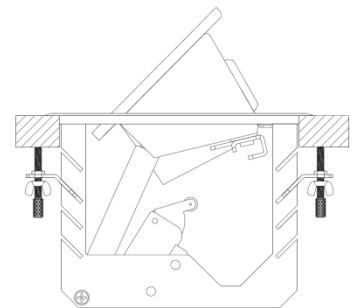
Please see the Altinex website at www.altinex.com for details on warranty and return policies.

1.2 Installation Precautions

- For best results, place the Tilt 'N Plug in a dry area away from dust and moisture. To prevent fire or shock, do not expose this unit to water or moisture. Do not place the unit in direct sunlight, near heaters or heat-radiating appliances, or near any liquid.
- Handle carefully; dropping or jarring can damage the bezel.
- Never place fingers inside the opening on either side of the unit. This action could cause injury due to sharp edges inside.
- Do not place heavy objects on top of the Tilt 'N Plug. Do not use excessive force to push down on the top of the unit.
- Disconnect the power cord to turn power off.
- Install all cables according to the instructions found in this user guide. Do not force or pull any cable that is attached to the Tilt 'N Plug.

1.3 Cleaning

- Surfaces should be cleaned with a damp cloth. Due to the chrome finish, do not use any abrasive solutions.



4. Technical Specification

Specifications are subject to change. Please visit <http://www.altinex.com> for up-to-date specification

Features/Description	TNP358*
General	
Outputs	
USB Charging	USB 2.0 Type A F (2)
Pass-Through Video	6 ft. (2 m)
Video (HDMI)	HDMI F-M (1)
Computer Audio	3.5mm F-M (1)
Pass-Through AC Power	9ft. (3.0 m)
120 VAC,60 Hz, 12A	NEMA Socket-Plug (2)
GFCI Plug Type	2-Pole, 3 Wire Grounded
Agency Approvals	
UL Listed	File E254082
Accessories Included	
Hardware	-Mounting screws/wing nuts -Brackets -Cable clamps/screws

Table 1 TNP358* General Specifications

Mechanical	TNP358**
Max. Table Thickness	2.25 in (57 mm)
Height, opened	5.88 in (149 mm)
Height, closed	3.80 in (97 mm)
Width	5.7 in (145 mm)
Depth	5.2 in (132 mm)
Finish	Polished Chrome
Weight (approx.)	2.75 lb. (1.25 kg)
Shipping Weight	5.5 lb. (2.5 kg)
T° Operating	10°C - 35°C
T° Maximum	40°C
Humidity	90% non-condensing

Table 2 TNP358** Mechanical Specifications

Electrical	TNP358**
Power Rating (pass-through AC power)	120VAC,60Hz, 12A
Power Rating (USB 2.0 charging port)	5VDC, 3A total
Ground Fault Trip Current	6mA max

Table 3 TNP358** Electrical Specifications

HDMI, the HDMI Logo, and High Definition Multimedia Interface are trademarks or registered trademarks of HDMI Licensing LLC in the United States and other countries.

* Includes models ending in S.
Models ending with C are customizable.

** Dimensions and ratings include models ending in C and S.



5. The TNP358 Interconnect Box

- Safety covered dual 12 amp AC sockets
- Dual charging USB ports (3 Amps max)
- Ultra flat surface installation
- Standard high quality black or brushed aluminum finish:
 - TNP530: Matte Black
 - TNP530S : Brushed Aluminum (Stain Proof Coating)
- Simple, cut and drop-in installation
- GFCI plug for added safety

The TNP358 is a compact interconnect solution designed for mounting into tables, podiums, or other furniture. HDMI, audio, power and USB connections are accessed by pushing down on the top cover allowing the unit to tilt open.

The connectors are hidden by pressing down on the top cover until the latching mechanism engages. In the closed position, the top cover lays virtually flush with the tabletop. This tabletop solution offers HDMI, audio and dual AC sockets along with 2 USB ports that can deliver up to 3A of charging power. The USB charger has a green LED to indicate power availability.

The TNP358 was specifically designed for devices requiring a charging USB port. A single input power cable delivers power to both outlets and features a GFCI plug for added safety. The TNP358 is one of many solutions available in the TNP Jr. product line that can be customized with additional connectivity options.

The quality and features of the TNP358 include 12 amp power outlet, 3 amps combined USB charger, UL listing, a GFCI plug and a smooth precision lifting design and easy installation.

Tabletop solutions purchased from Altinex assure rock solid performance, the highest level of quality, and the most compact design on the market. We were the first in the world to introduce tabletop solutions to the Audio Visual industry 14 years ago and today our products are still in the field performing like new.

The next time you need to spruce up your customer's boardroom or university classroom, look no further than Altinex. So give us a call. We design, build, and support our products from the beautiful city of Brea in Southern California.

6. Application Diagrams

Diagram 1: Application diagram for TNP358

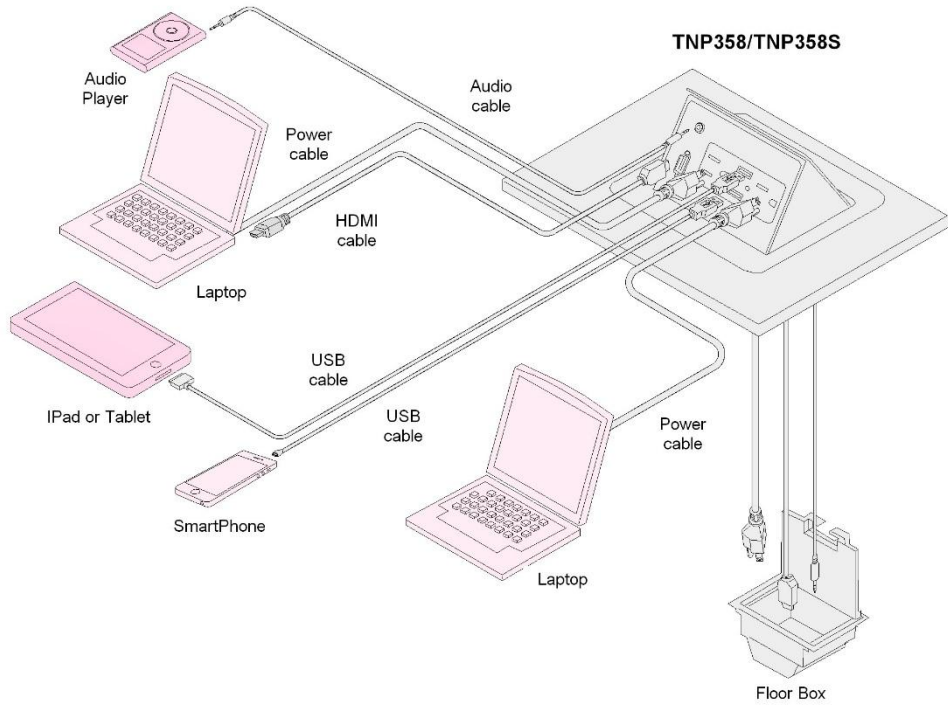


Diagram 2: Front View

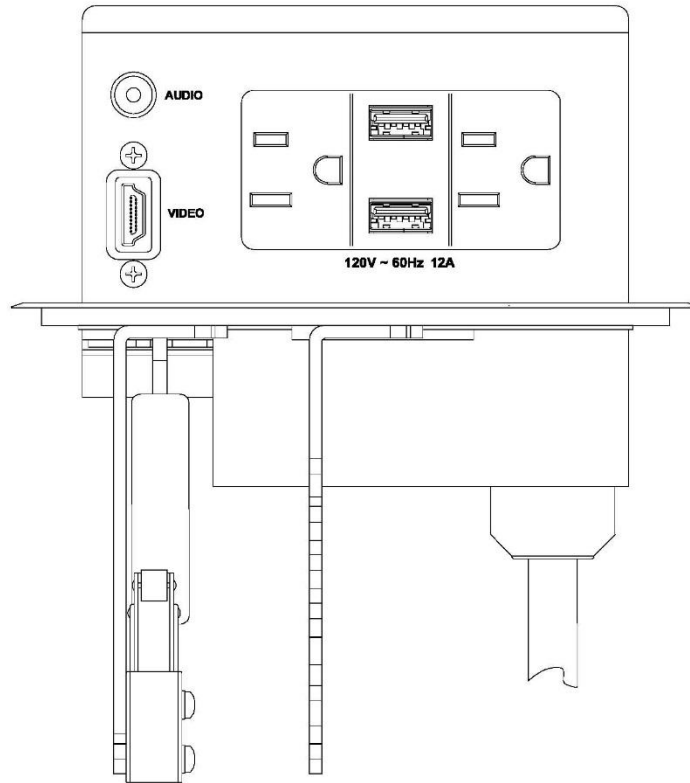


Diagram 3: Mounting

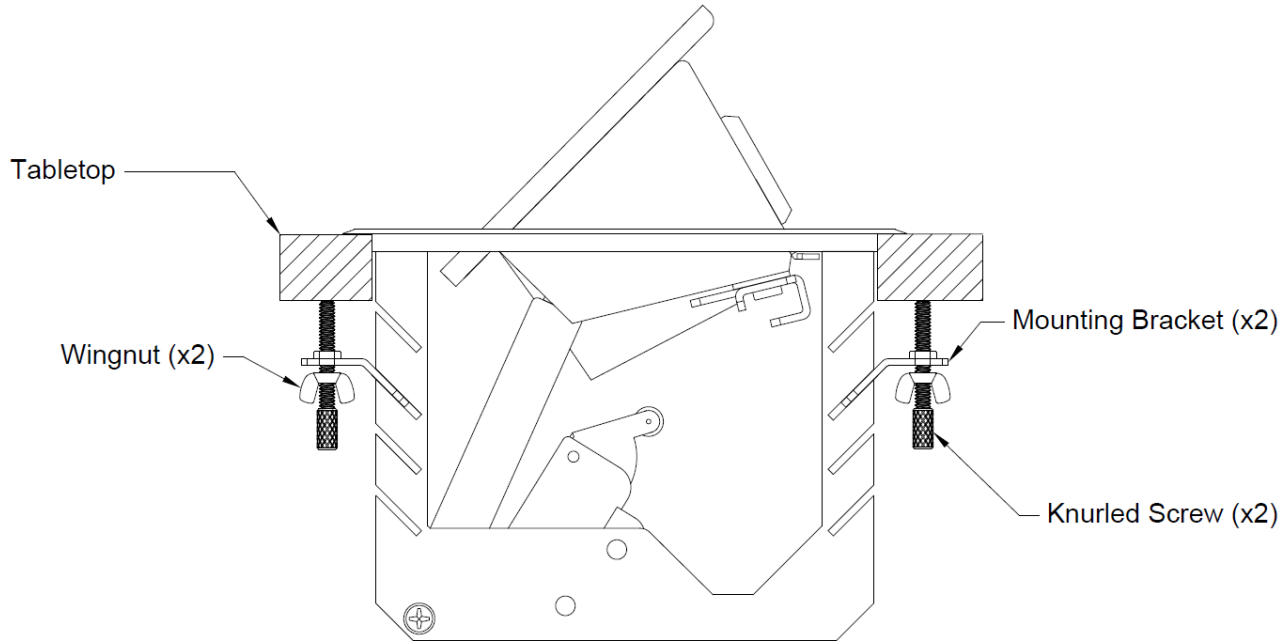


Diagram 4: Side Dimensions

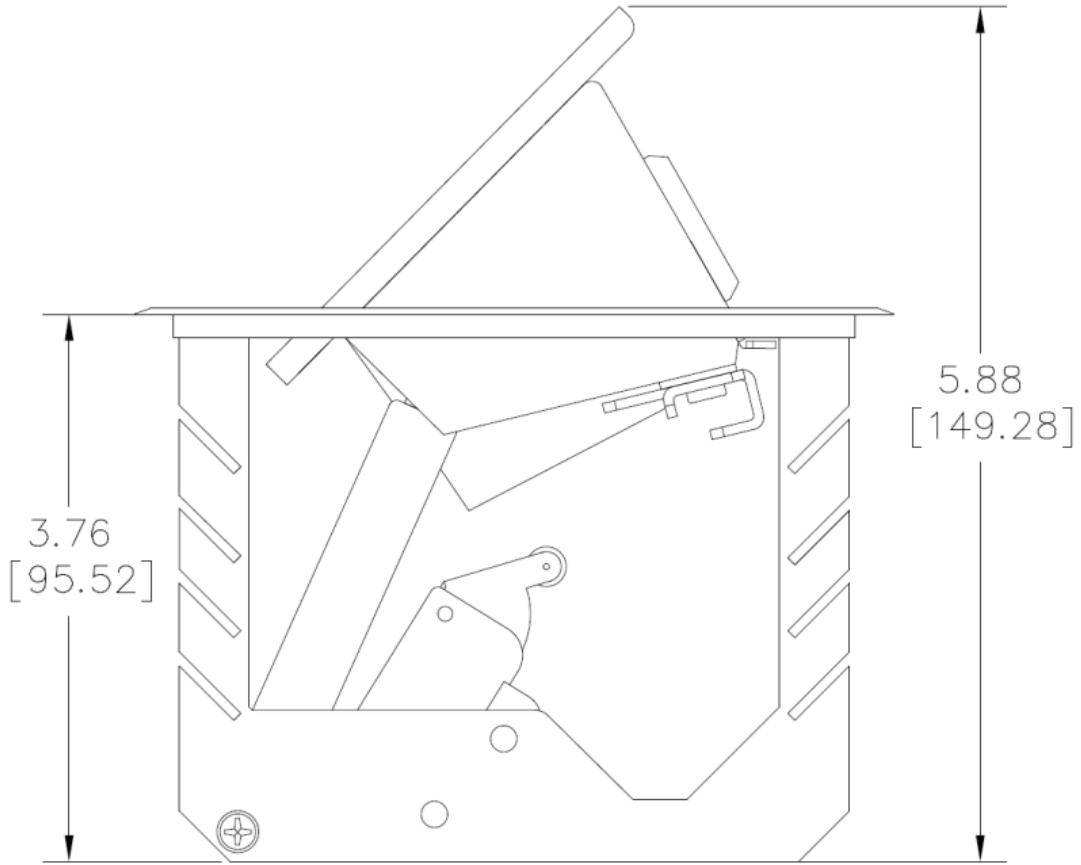
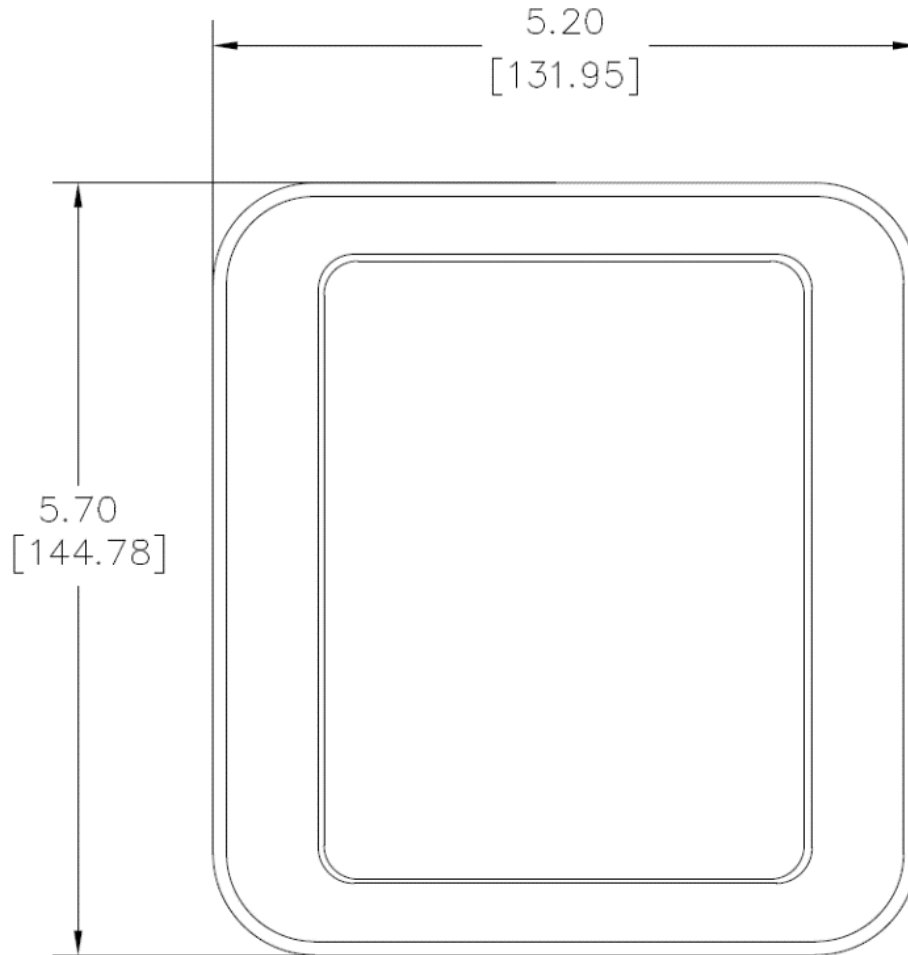


Diagram 5: Side Dimensions



7. Operation

7.1 Opening and Closing the Tilt 'N Plug

The Tilt 'N Plug is opened by pressing down on the bezel and then releasing it.

When the Tilt 'N Plug is not in use, simply press the top down until it is latched in place and then release. The unit will remain hidden until needed again.

7.2 Power/Signal Connections

Connect external devices to the appropriate connector on the Tilt 'N Plug.

8. Troubleshooting Guide

The Tilt 'N Plug supplied was carefully tested before shipping. Please use tables below to rectify any potential difficulties:

TNP	
Symptom	Resolution
USB ports are not charging	<ol style="list-style-type: none"> 1. Make sure that the power cord is connected. 2. Make sure the USB green indicator LED is on 3. Re-set GFI circuit on the power cord
Damaged power cord	<ol style="list-style-type: none"> 1. Make sure that power cord is not damaged or pinched. 2. If there has been damage, do not use the Tilt 'N Plug. Please call the Altinex Customer Service Department at (714) 990-2300 to have the unit returned for repair.
Testing the AC Plug	<p>Type 1: (not resettable)</p> <ol style="list-style-type: none"> 1. Plug power cord into wall receptacle. 2. Press RESET button (Indicator should be ON). 3. Press TEST button (Indicator should be OFF). 4. Press RESET button for use. <p>DO NOT USE TNP358 IF THIS TEST FAILS</p> <p>Type 2 (resettable)</p> <ol style="list-style-type: none"> 1. Plug power cord into wall receptacle. 2. (Indicator should be ON) Press the TEST button. 3. (Indicator should turn OFF) Press the RESET button. 4. (Indicator should turn ON) unit is ready for use <p>DO NOT USE TNP358 IF THIS TEST FAILS</p>
Unit raises too slowly	<ol style="list-style-type: none"> 1. If the unit does not rise into position correctly, check the service loop for the power cord on the bottom of the unit. If the service loop is too small the cables will counteract the spring trying to raise the unit into position.
Unit tilts up too fast	<ol style="list-style-type: none"> 1. If the unit rises into position too fast, check the service loops for the power cord on the bottom of the unit. If the service loop is too large and the cables are putting upward pressure on the unit, the unit will tilt up faster than expected.
Unit does not close all the way	<ol style="list-style-type: none"> 1. If the unit does not close flush with the bezel, check the service loop for the power cord on the bottom of the unit. If the service loop is putting upward pressure in the unit, the unit will not be able to seat all the way down.

