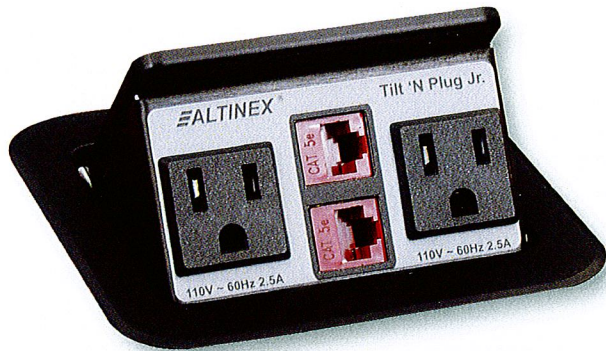


TNP151

Tilt-N-Plug Jr.® - Tabletop Interconnect Box

Order No. TNP151



- Single user connection point
- Gas-spring technology provides smooth open and close
- Craftsman-milled edges create ultra-flat surface when closed
- Ships with 6ft pre-terminated cables for quick installations
- Customizable connectors and finish

SPECIFICATIONS

General

AC Power: NEMA 5-15 (2 female to 1 male)
 Network: CAT-6 (RJ-45) F-M (2)
 Accessories Included: Mounting screws, cable clamps

Mechanical

AC Power Cord: 10 ft (3 m)
 Audio, Video, and Communication: 6 ft (2m)
 Max. Table Thickness: 2.3 in (58 mm)
 Height, opened: 5.5 in (140 mm)
 Width: 4.6 in (117 mm)
 Depth: 4.9 in (124 mm)
 Weight (approx.): 2.8 lb (1.3 kg)
 Shipping Weight: 4.5 lb (2.0 kg)
 Finish: Matte Black (default)

T° Operating: 10°C-35°C
 T° Maximum: 40°C
 Humidity: 90% non-condensing

Electrical

Power Rating (pass-through AC power): 110VAC, 60Hz,
 2.5A per connector

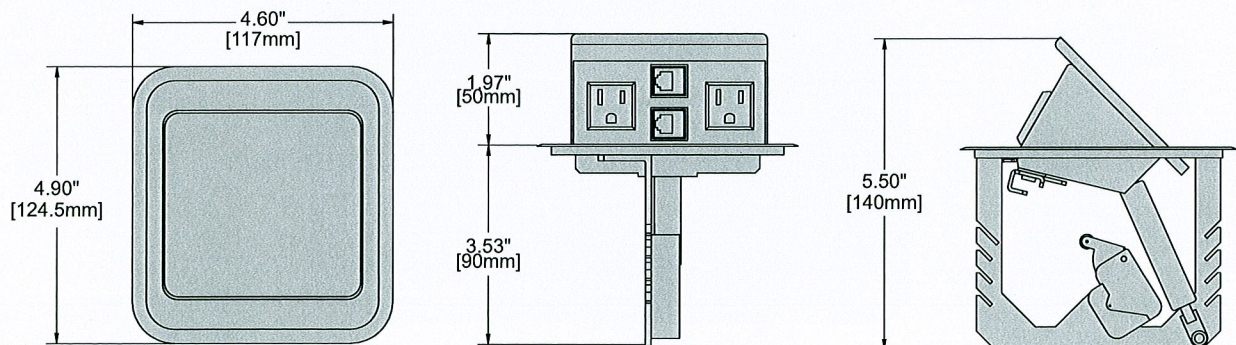
Certifications

UL, CUL, CE, RoHS, FCC

Warranty

3 year warranty
 1 year warranty on gas-spring

PRODUCT DIMENSIONS



Note: Drawings Not To Scale.

OPTIONS FOR TNP151C

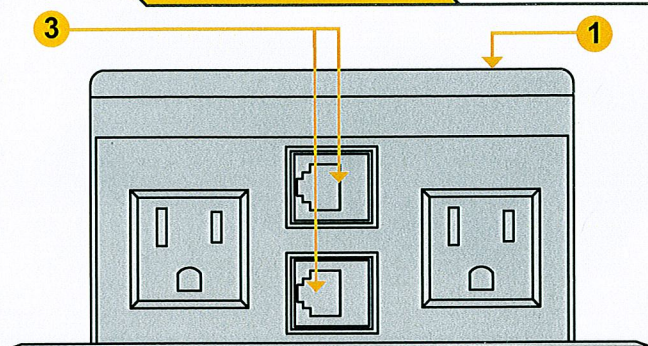
Order No. TNP151C

Section No. 1 (Surface Finish)

- CM12301: Black
- CM12384: Brushed Aluminum

Section No. 2 (Connectors)

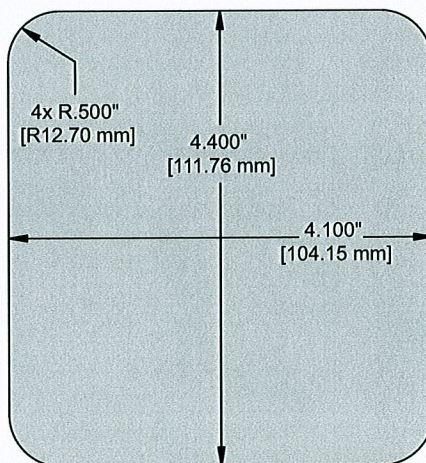
- CM11308: 4-PIN Mini-DIN, F-F
- CM11309: 6-PIN Mini-DIN, F-F
- CM11310: 8-PIN Mini-DIN, F-F
- CM11315: Black Shielded 10-PIN RJ45
- CM11302: Black RCA, F-F
- CM11303: Red RCA, F-F
- CM11304: Yellow RCA, F-F
- CM11316: 3.5 mm F-M
- CM11365: H-Position Control and Signal Present LED
- CM11311: BNC (Composite Video), F-F
- CM11312: Momentary Contact Closure to bare leads
- CM11313: Latching Contact Closure to bare leads
- CM11314: Green LED Indicator to bare leads
- CM11316: 3.5mm Stereo Audio, F-M
- CM11306: Grey RJ-11, F-M
- CM11318: White RJ-11 6-PIN, F-M
- CM11319: Black RJ-11 6-PIN, F-M
- CM11351: Red CAT-6, RJ45, F-M
- CM11352: Black CAT-6, RJ45, F-M
- CM11353: Yellow CAT-6, RJ45, F-M



- CM11358: White CAT-6, RJ45, F-M
- CM11359: Orange CAT-6, RJ45, F-M
- CM11354: Green CAT-6, RJ45, F-M
- CM11355: Blue CAT-6, RJ45, F-M
- CM11364: Black 3-PIN Mini XLR M-F
- CM11408: White 4-PIN Mini XLR M-F
- CM11301: Blank Connector

Picture Above Show TNP151C

TABLE CUTOUT DIMENSIONS



Note: Drawings Not To Scale.