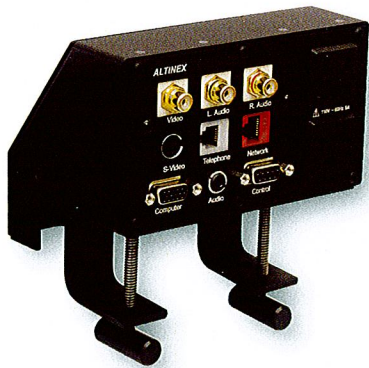


# TBL102

## Table Buddy™ - Tabletop Interconnect Box

Order No. TBL102



- Connects to edge of table
- Dual clamps used for fixed or temporary installations
- Remove clamps for permanent installations
- Offers user-configurable input plates
- Integrated cable tie-wrap bar
- Perfect for impermanent furniture applications

### SPECIFICATIONS

#### General

AC Power: NEMA 5-15 (2 female to 1 male)  
Computer Video: 15-PIN HD F-M (1)  
Stereo Audio: 3.5 mm F-M (1)  
Network: CAT6 (RJ-45) F-M (1)  
Telecom: RJ-11 F-M (1)  
S-Video: 4-PIN Mini DIN F-M (1)  
Composite Video: Yellow RCA F-F (1)  
Control: DB-9 F-M (1)  
Audio Left Channel: Black RCA F-F (1)  
Audio Right Channel: Red RCA F-F (1)  
Accessories Included: Mounting screws, cable clamps

#### Mechanical

AC Power Cord: 10 ft (3 m)  
Audio, Video, and Communication: 6 ft (2m)  
Maximum Table Thickness: 2.5 in (64 mm)  
Height Above the Surface: 3.5 in (88 mm)

Height Below the Surface: 4.0 in (101 mm)

Width: 7.9 in (200 mm)

Depth: 6.5 in (166 mm)

Weight: 4.0 lb (1.8 kg)

Shipping Weight: 5.6 lb (2.5 kg)

Finish: Matte Black (default)

T° Operating: 10°C-45°C

T° Maximum: 60°C

Humidity: 90% non-condensing

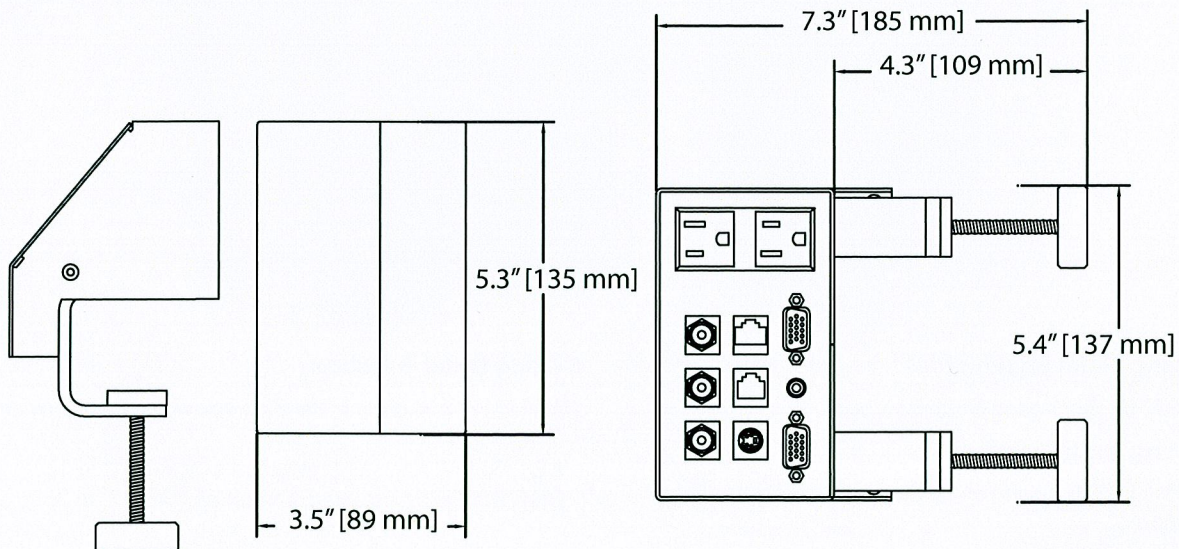
#### Electrical

Power Rating (pass-through power): 90-140 VAC,  
5 A max.

#### Warranty

3 year warranty

### PRODUCT DIMENSIONS



Note: Drawings Not To Scale.



### OPTIONS FOR TBL102C

Order No. TBL102C

#### Section No. 2 (Computer)

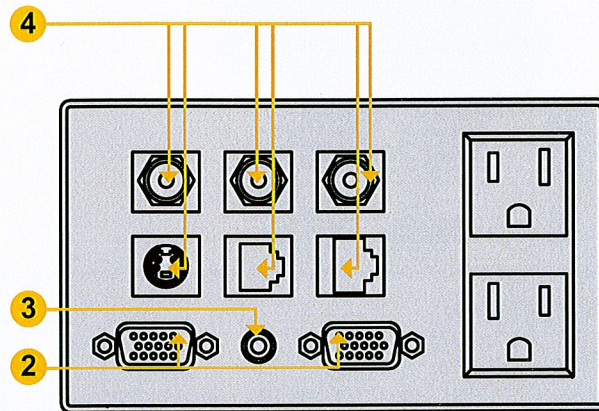
- CM11402: 15-PIN HD, F-F
- CM11403: 9-PIN D, F-F
- CM11406: 15-PIN HD, F-M
- CM11410: 9-PIN D, F-M
- CM11401: Blank D-Sub Cover, Black

#### Section No. 3 (Audio)

- CM11404: 3.5mm F-M
- CM11405: Blank Cover for 3.5mm Audio

#### Section No. 4 (Connectors)

- CM11308: 4-PIN Mini-DIN, F-F
- CM11309: 6-PIN Mini-DIN, F-F
- CM11310: 8-PIN Mini-DIN, F-F
- CM11315: Black Shielded 10-PIN RJ45
- CM11302: Black RCA, F-F
- CM11303: Red RCA, F-F
- CM11304: Yellow RCA, F-F
- CM11365: H-Position Control and Signal Present LED
- CM11311: BNC (Composite Video), F-F
- CM11312: Momentary Contact Closure to bare leads
- CM11313: Latching Contact Closure to bare leads
- CM11314: Green LED Indicator to bare leads
- CM11316: 3.5 mm Stereo Audio, F-M
- CM11341: HDMI F-M
- CM11306: Grey RJ-11, F-M
- CM11318: White RJ-11 6-PIN, F-M
- CM11319: Black RJ-11 6-PIN, F-M
- CM11351: Red CAT-6, RJ45, F-M
- CM11352: Black CAT-6, RJ45, F-M
- CM11353: Yellow CAT-6, RJ45, F-M



- CM11358: White CAT-6, RJ45, F-M
- CM11359: Orange CAT-6, RJ45, F-M
- CM11354: Green CAT-6, RJ45, F-M
- CM11355: Blue CAT-6, RJ45, F-M
- CM11364: Black 3-PIN Mini XLR M-F
- CM11408: White 4-PIN Mini XLR M-F
- CM11366: USB-B F-USB-A M
- CM11369: USB A F-M
- CM11301: Blank Connector

Picture Above Show TBL102C