



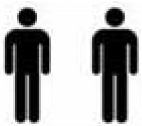
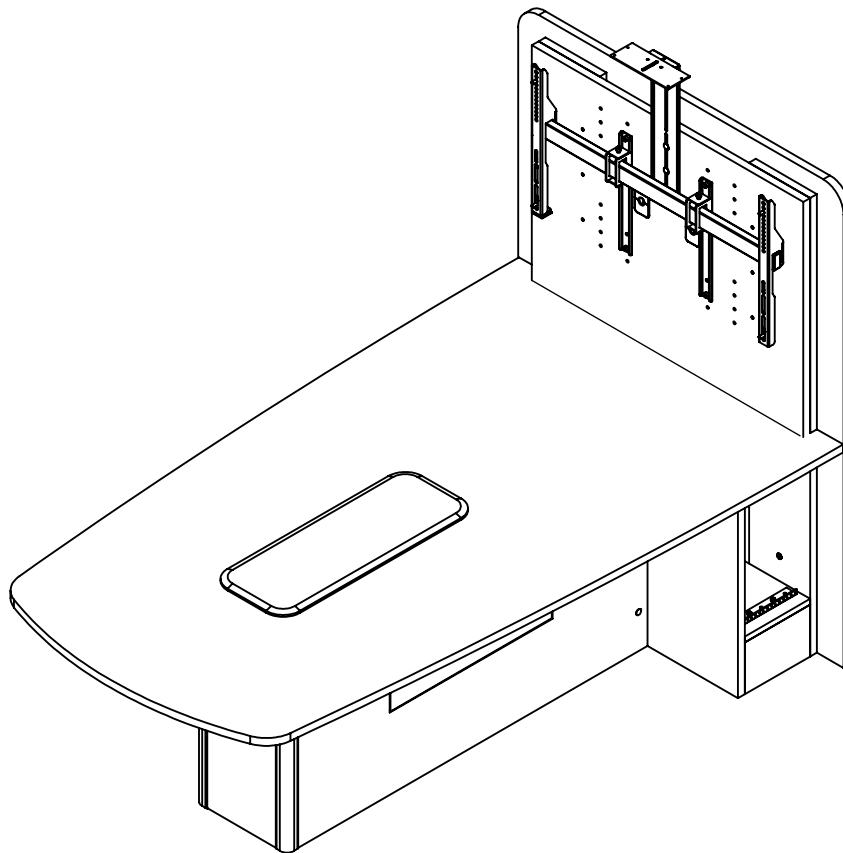
T526 Collaboration Table

Assembly and Setup Instructions

version 0.0

Note: If you cannot understand these instructions or are concerned about safety of the installation Contact a qualified contractor or contact VFI at 1-877-834-3876.

Confirm all hardware is included before you begin assembly.
Not all hardware supplied will be used depending on the manufacturer of your display/s.

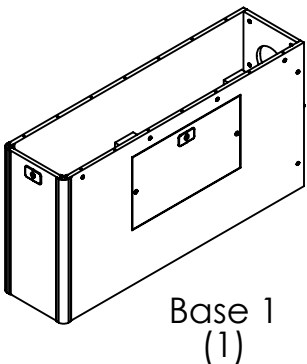


TWO (2) PEOPLE ARE REQUIRED TO UNPACK AND ASSEMBLY THIS PRODUCT

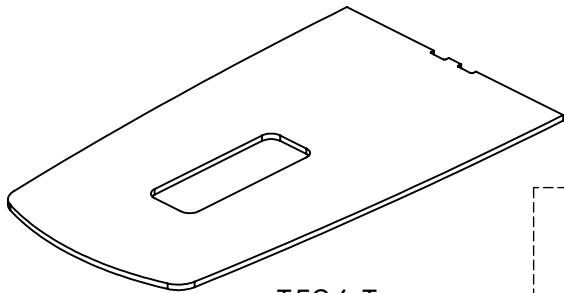
VIDEO FURNITURE INTERNATIONAL

190 Don Hillock Drive Aurora , Ontario L4G 0G9 www.video-furn.com
Toll Free: 1-877-834-3876 Fax: 1-905-751-1488 Local:905-751-1459

SUPPLIED PARTS



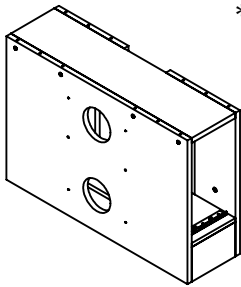
Base 1
(1)



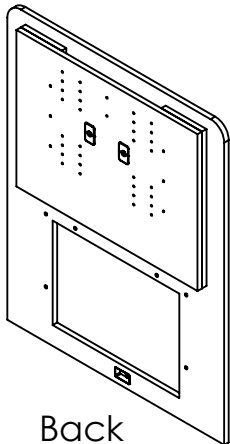
T526-Top
(1)



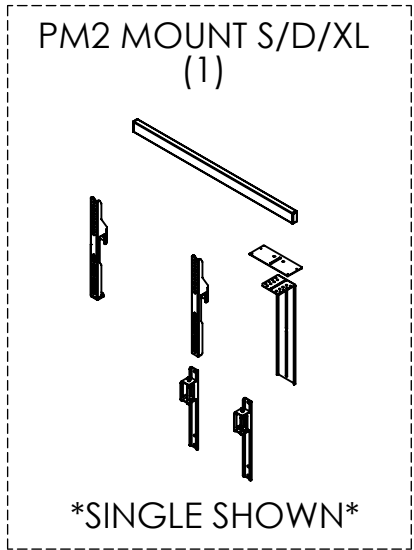
Island Large
cut outs not shown
(1)



Base 2
(1)



Back
assembly
(1)



PM2 MOUNT S/D/XL
(1)

SINGLE SHOWN

SUPPLIED HARDWARE



.75" Mat
Cam
(12)



1.00" Mat
Cam
(8)



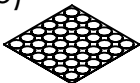
Panel Bolt
1.5"
(6)



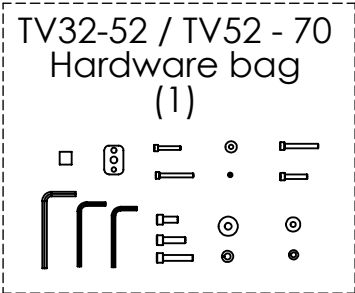
8-30mm
Wooden dowel
(6)



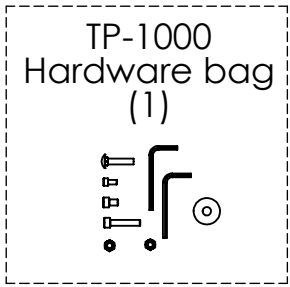
Cam Pin
(16)



Cam
Stickers
(20)

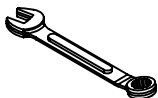


TV32-52 / TV52 - 70
Hardware bag
(1)



TP-1000
Hardware bag
(1)

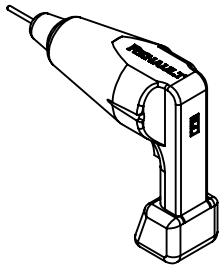
REQUIRED TOOLS (not included)



7/16 and 13mm
Wrench or Socket



#2 Phillips (+)
Screwdriver



Cordless drill
w/ #2 Phillips (+)
bit



In order to **TIGHTEN** the cams, turn the screwdriver and the cam **CLOCKWISE**



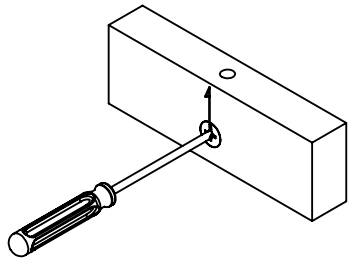
In order to **LOOSEN** the cams, turn the screwdriver and the cam **COUNTER CLOCKWISE**



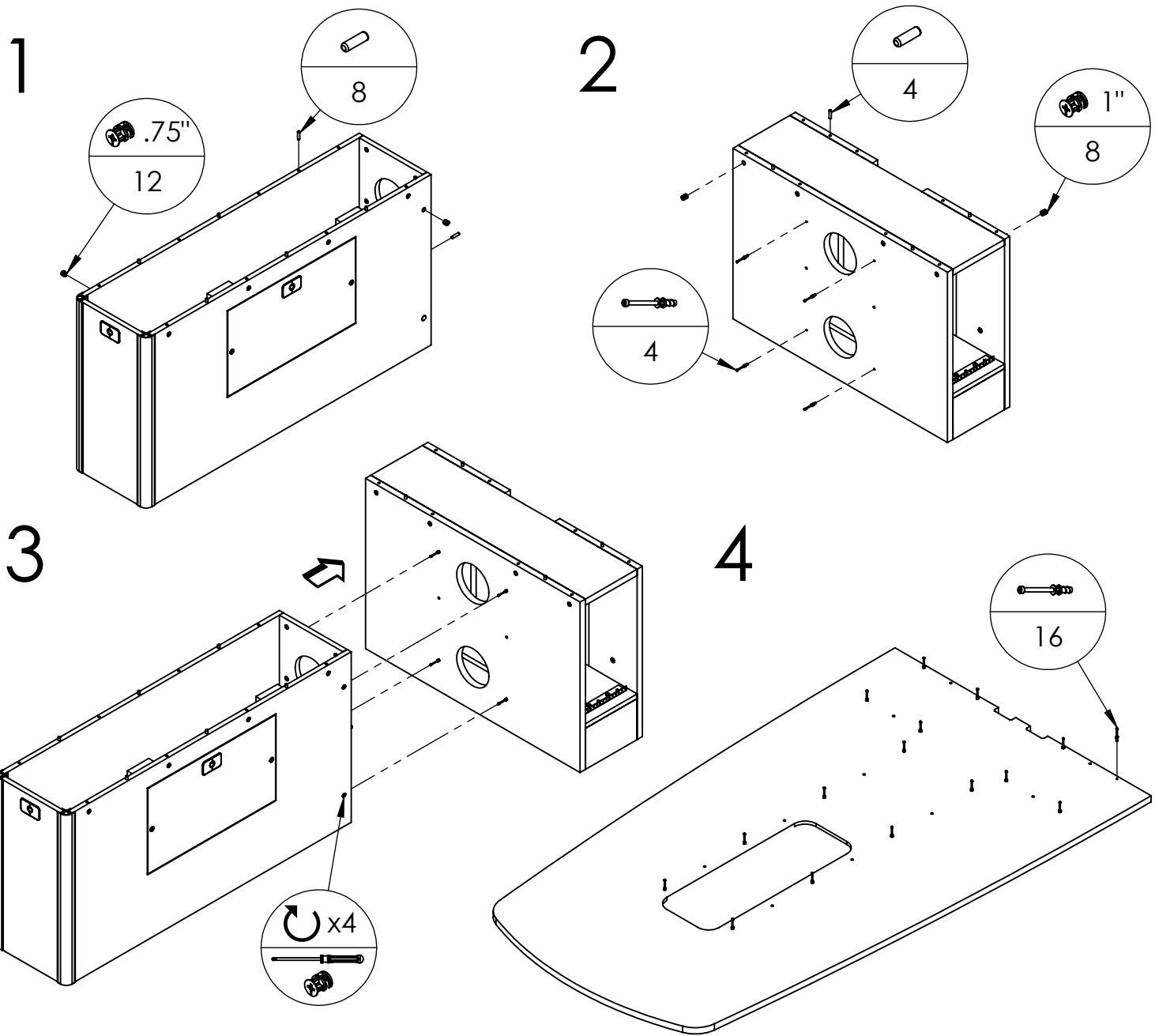
Direction of pieces

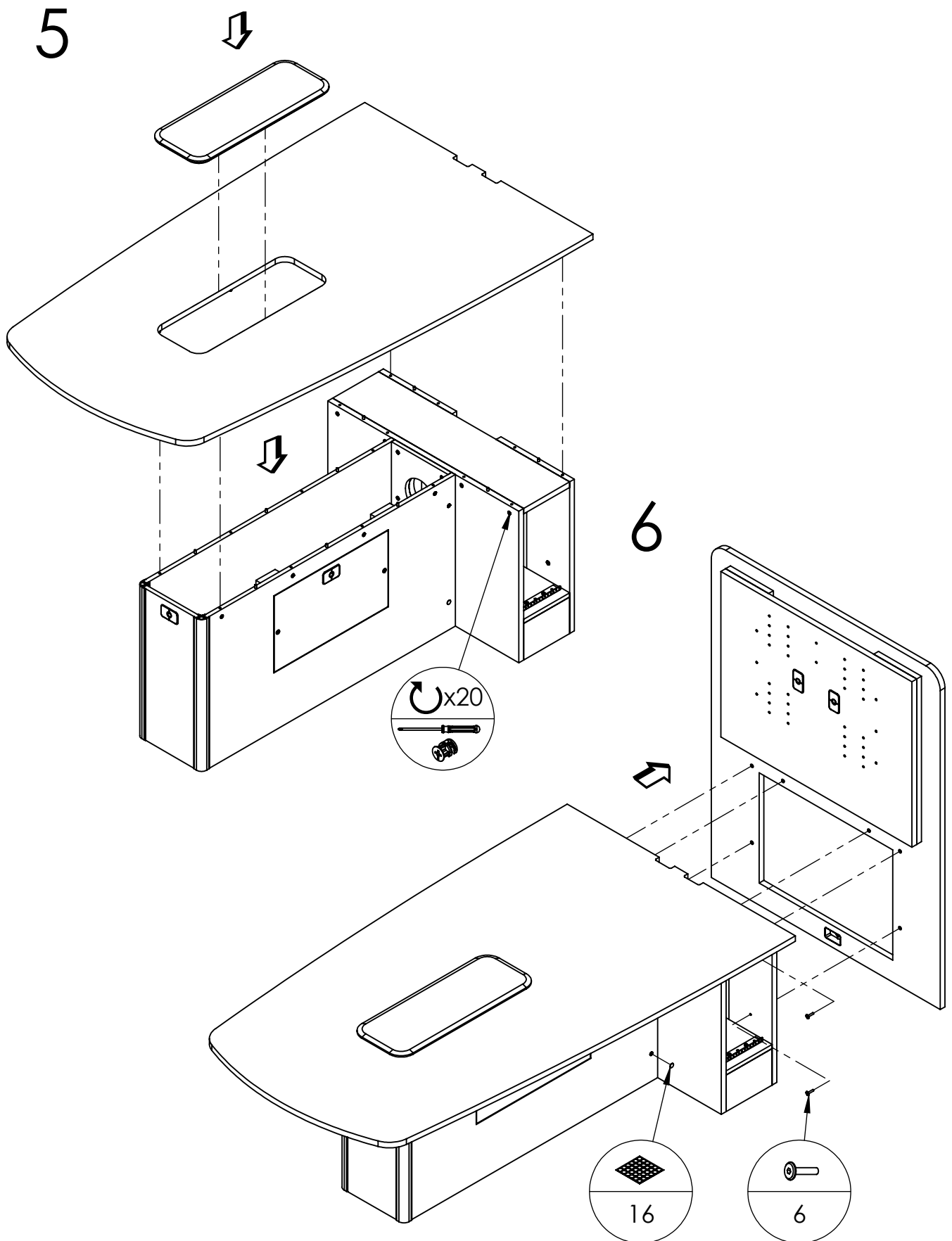


Required to go under the table



The T526 Series table will require you to use this type of operation throughout the assembly process



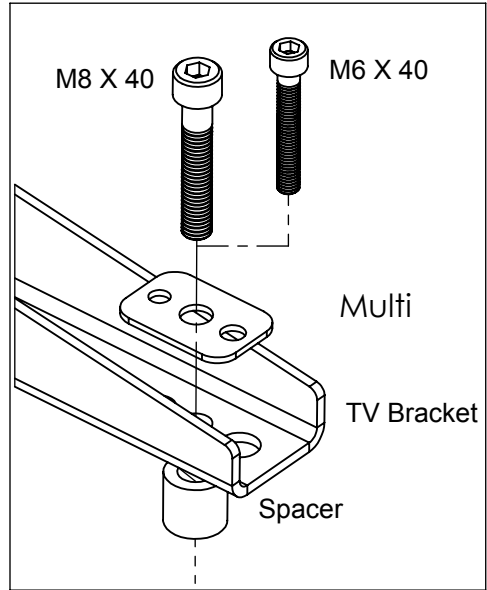


1. Place TV face down on blanket or non abrasive surface such as cardboard.
2. Check to see if your TV came with mounting hardware or not.
If not, we have supplied the most common hardware.
Most displays under 42" will use the M6 bolt. Most 42"+ will use the M8 bolts.
See which bolt length you need by hand tightening only.
3. Place TV brackets so you can see the TV mounting holes through the bracket and insert bolt through a multi washer.
4. Hand tighten until there is resistance, then give a half turn with hex key.
DO NOT OVER TIGHTEN AS THIS CAN DAMAGE OR PUNCTURE THE TV

Notes.

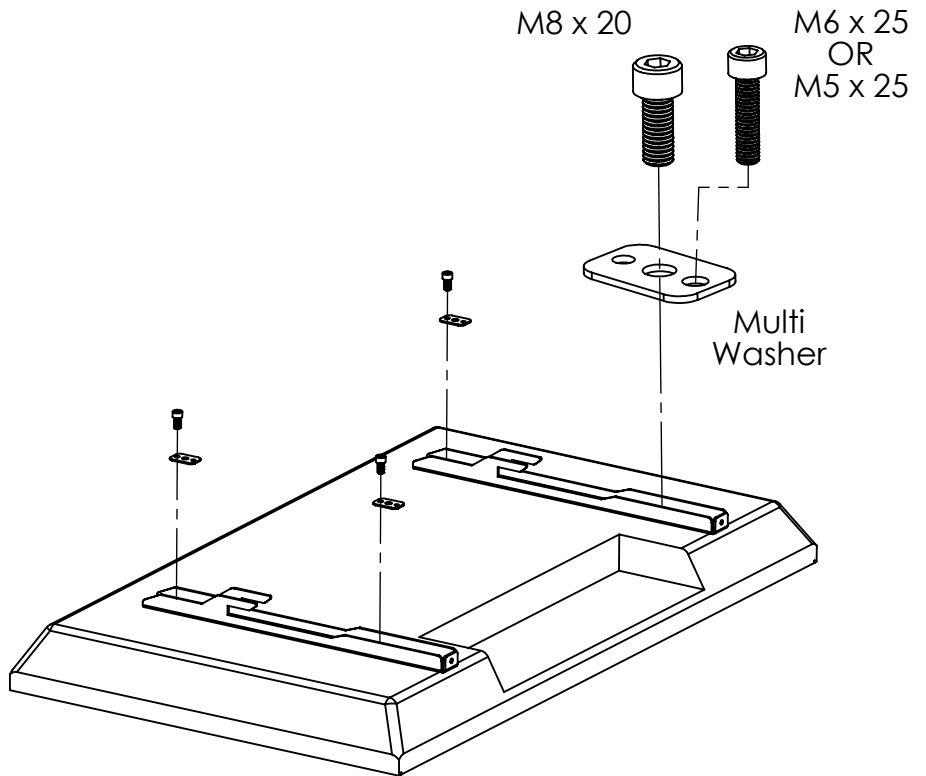
- Have 2 people lift the TV as it can be very heavy and awkward.
- Some TV's require non standard hardware. This bracket was made to accommodate up to M10 bolts which can be found at your local hardware store along with longer versions of the included hardware.

Optional Spacer mounting



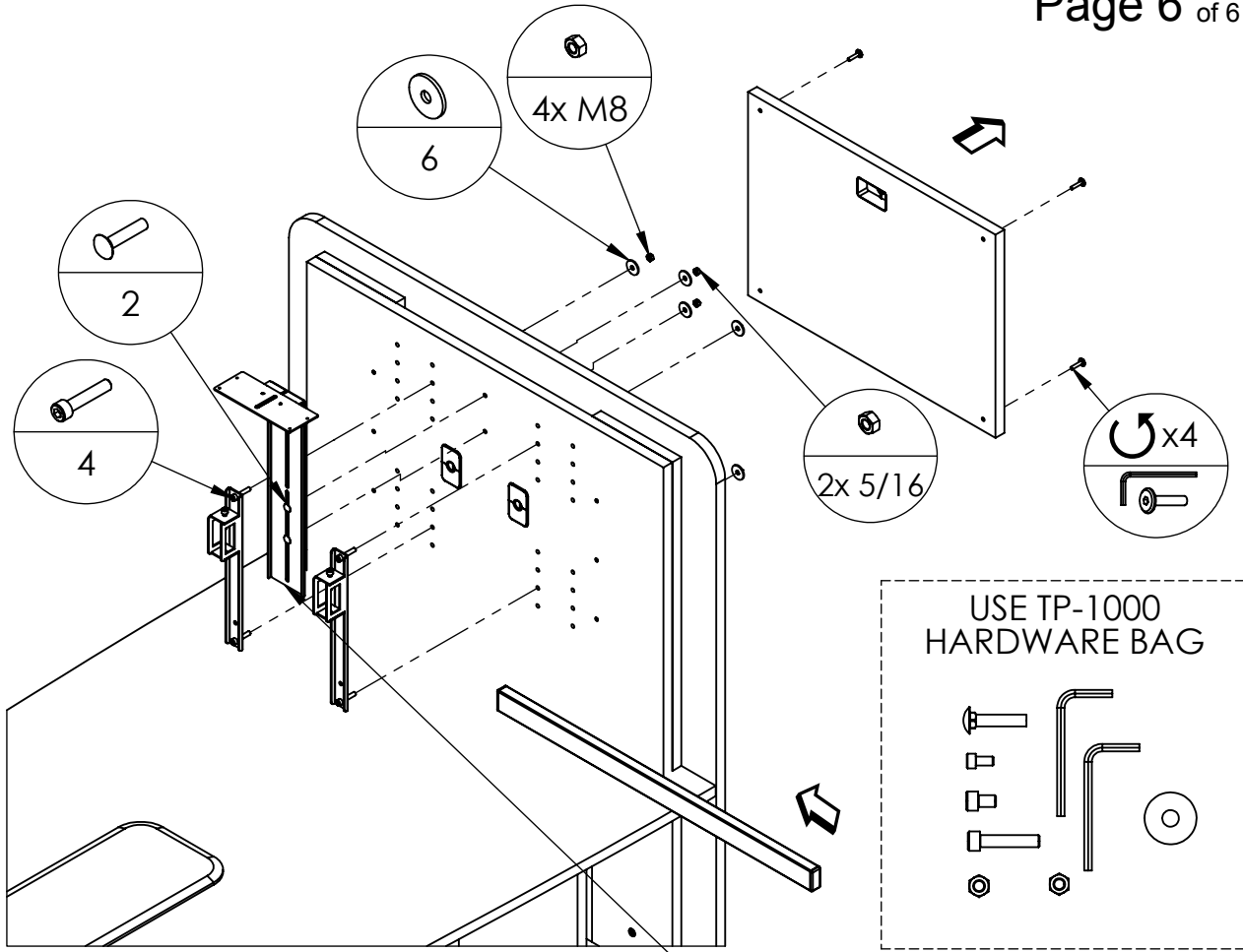
Spacer is used when the back of TV is not flat or the mount holes are sunk into the back of the TV. (Rarely used)

TV
Hardware Bag

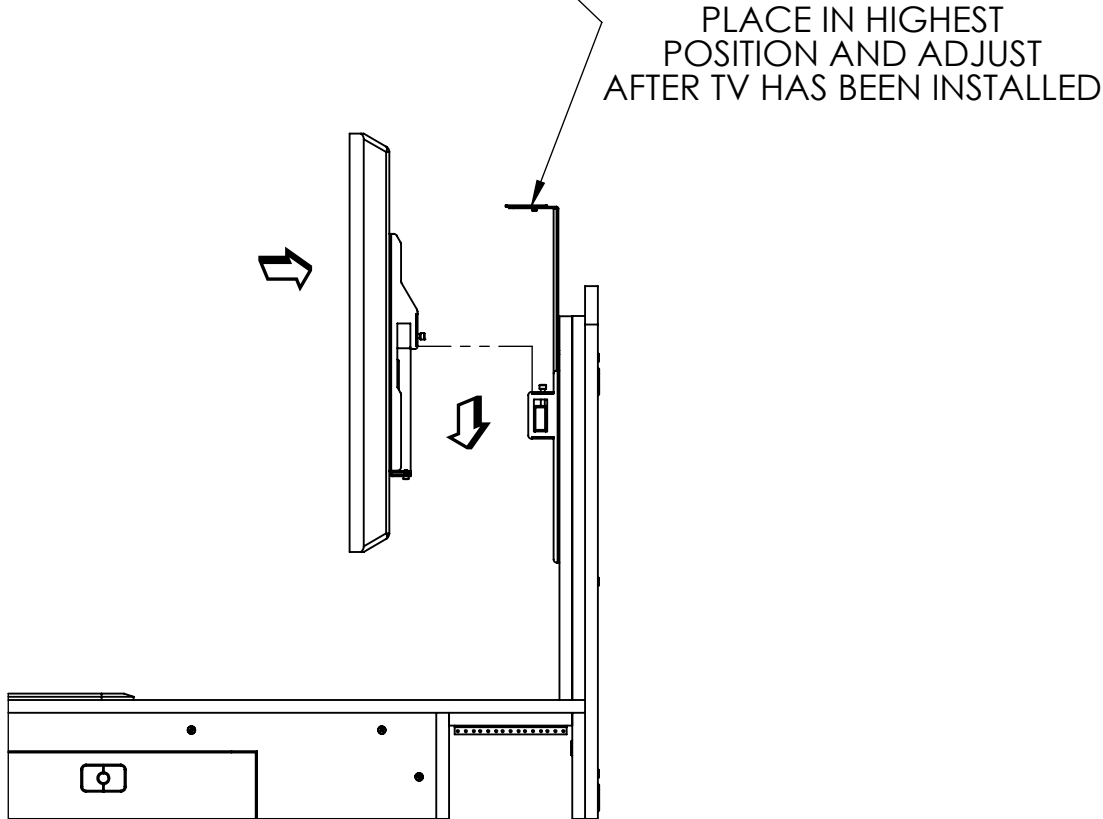


VIDEO FURNITURE INTERNATIONAL

7



8



DONE!