

4

3

2

1

C

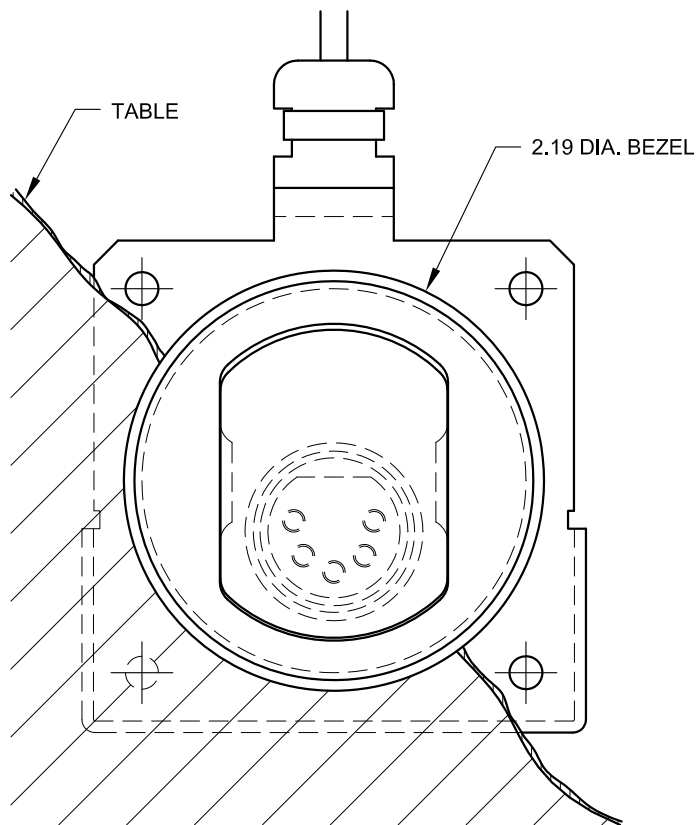
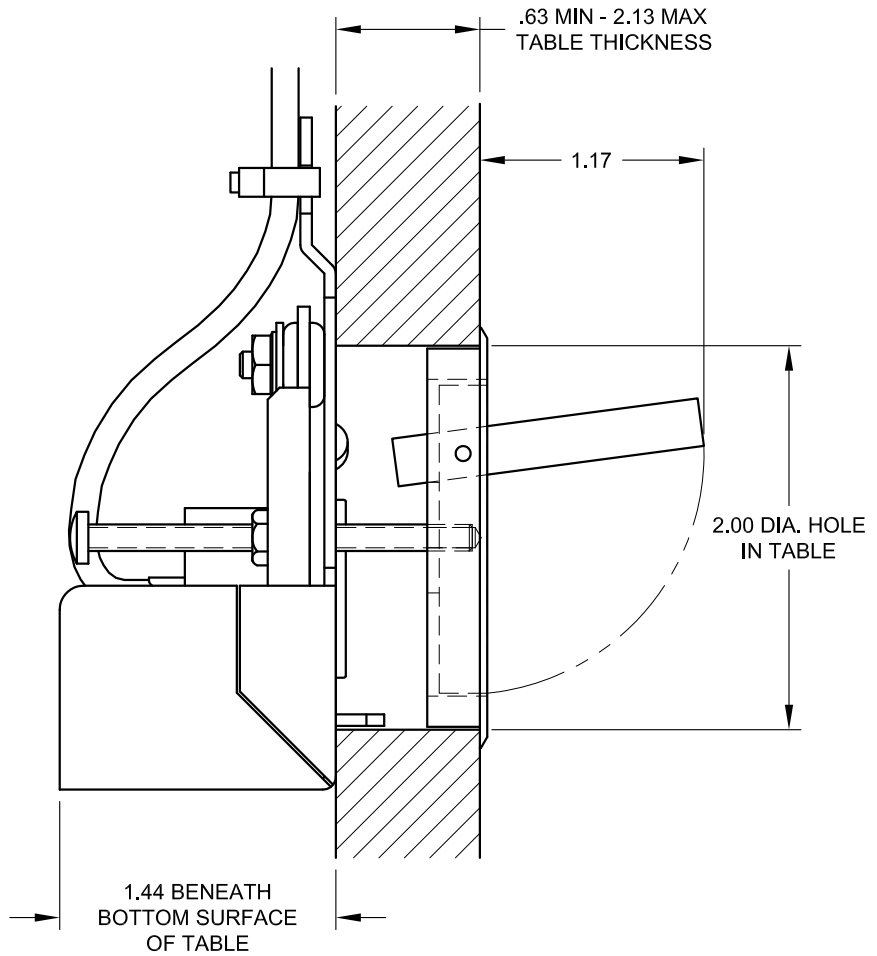
C

B

B

A

A



PATENT PROTECTED,  
U.S. PATENT# 6,881,080

**FSR inc.**  
244 BERGEN BLVD.  
WOODLAND PARK, NJ 07424  
TEL. (973) 785-4347  
FAX (973) 785-3318

TITLE: TABLE MICROPHONE BOX T3-MJ5PIN		
DRAWN BY: JRE	DATE: 04/30/10	REV: -
DWG#: T3-MJ5PIN	SCALE: 1:1	

4

3

2

1