

T3-MJ+

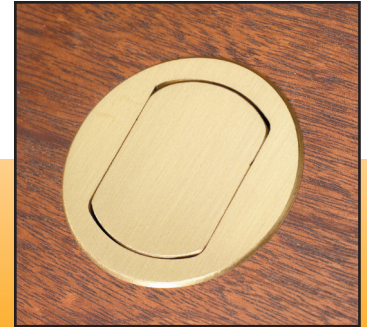
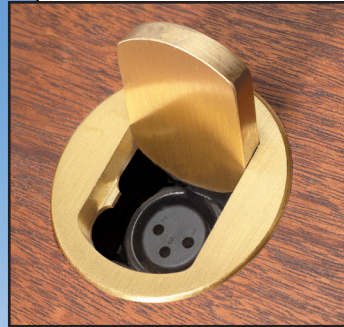
Table Microphone Box with improved noise isolation

FSR

Metal Products Group

T3-MJ+

**New Options
and Muting
Features!**



The first elegant way to mount a gooseneck microphone. These stylish, mini tableboxes are available in round or square styles and three finishes (brass, silver, or black) to complement a variety of decors.

The **T3-MJ+** is a simple installation requiring a 2-inch round hole. Less than 1.5-inches of under table clearance is required. The built-in, acoustically isolated microphone connector accommodates microphones with 3-pin XLR plugs of a diameter of 1-inch or less and provides superior shock and vibration damping.

They are designed to accommodate a wide range of tables and lecterns with up to 2 $\frac{1}{8}$ -inch thick surfaces. An undertable shroud is provided as part of the assembly.

The **T3-MJ+1B** or **2B** lets you add one or two buttons to the basic **T3-MJ+**. These units are custom assembled with momentary or maintained type switches with a variety of switch caps and bi-color LED's. The switch (SPDT) contacts and LED wires terminate on screw terminals for ease of wiring.

The **T3-MJ+1BM** or **2BM** models feature an internally pre-wired built in mute feature. The right switch, when pressed, will alternate between mute / unmute states. Mute status is provided via the bi-color LED with red indicating mute and green indicating active. Power for this feature is derived from the mixer's phantom power source.



**Models Available in
3 Pin, 5 Pin or
Mini 3 Pin XLR
and built-in
muting option.**



APPLICATIONS

- Conference and Boardroom Tables
- Judicial Benches and Tables
- Courtrooms
- State Houses
- Lecterns
- Pulpits
- Control Rooms

FSR Inc.

244 Bergen Boulevard, Woodland Park, NJ 07424

Phone: 973.785.4347 · Fax: 973.785.4207

Order Desk: 1-800-332-FSR1

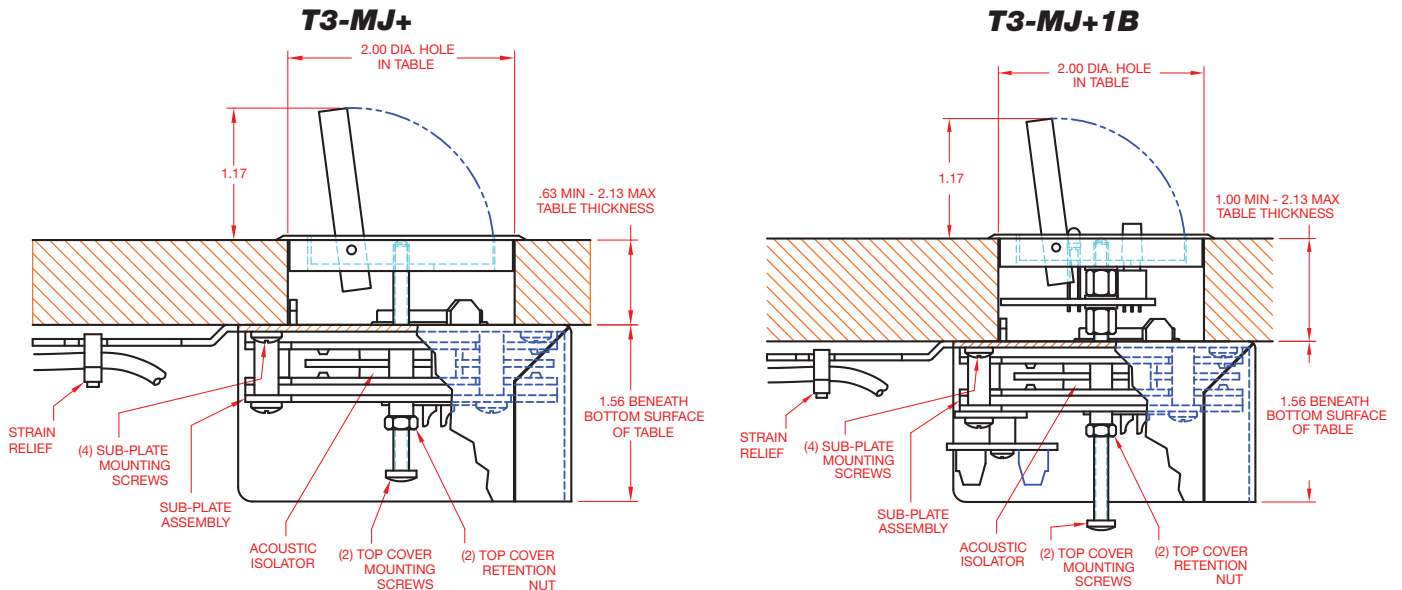
Web: www.fsrinc.com · E-mail: sales@fsrinc.com LIT1123B

ORDERING INFORMATION

Item #	Part #	Description
T3-MJ+ Microphone Mounts with Improved Noise Isolation		
17262	T3-MJ+BLK	Microphone Mount - Improved Noise Isolation - Black Cover
17263	T3-MJ+SQBLK	Microphone Mount - Improved Noise Isolation - Square Black Cover
17264	T3-MJ+ALU	Microphone Mount - Improved Noise Isolation - Aluminum Cover
17265	T3-MJ+SQALU	Microphone Mount - Improved Noise Isolation - Square Aluminum Cover
17266	T3-MJ+BRS	Microphone Mount - Improved Noise Isolation - Brass Cover
17267	T3-MJ+SQBRS	Microphone Mount - Improved Noise Isolation - Square Brass Cover
T3-MJ+1BM Microphone Mount with Improved Noise Isolation 1 Button and LED w/Built in Mic Mute		
17238	T3-MJ+1BM-BLK	Mic Mount, 1 Button w/ Mute - Imp Noise Isolation - Black Cover
17239	T3-MJ+1BM-SQBLK	Mic Mount, 1 Button w/ Mute - Imp Noise Isolation - Square Black Cover
17240	T3-MJ+1BM-ALU	Mic Mount, 1 Button w/ Mute - Imp Noise Isolation - Aluminum Cover
17241	T3-MJ+1BM-SQALU	Mic Mount, 1 Button w/ Mute - Imp Noise Isolation - Square Al. Cover
17242	T3-MJ+1BM-BRS	Mic Mount, 1 Button w/ Mute - Imp Noise Isolation - Brass Cover
17243	T3-MJ+1BM-SQBRS	Mic Mount, 1 Button w/ Mute - Imp Noise Isolation - Square Brass Cover
T3-MJ+1B or 2B Microphone Mount with Improved Noise Isolation 1 or 2 Buttons w/LED		
MTO	T3-MJ+1B-xxx	Mic Mount w/ Improved Noise Isolation, 1 Button and 1 LED
MTO	T3-MJ+2B-xxx	Mic Mount w/ Improved Noise Isolation, 2 Buttons and 2 LEDs
T3-MJ+2BM Microphone Mount with improved noise isolation 2 Button and LED w/Built in Mic Mute		
MTO	T3-MJ+2BM-xxx	Mic Mount w/ Improved noise isolation, two button with LED, right button internal mute.

xxx = Please specify desired color; "BLK" for black, "ALU" for aluminum or "BRS" for brass. Add "SQ" before the color designation if you desire a square cover instead of the default round cover.

Example: A T3-MJ+2BM-SQALU would have a square aluminum cover with two buttons and two LED's. The right button would have an internal muting circuit pre-wired.



FSR

Specifications are subject to change without notice.

244 Bergen Boulevard, Woodland Park, NJ 07424

Phone: 973.785.4347 · Fax: 973.785.4207 · Web: www.fsrinc.com · E-mail: sales@fsrinc.com

ARCAT

MADE IN THE USA

