

4

3

2

1

C

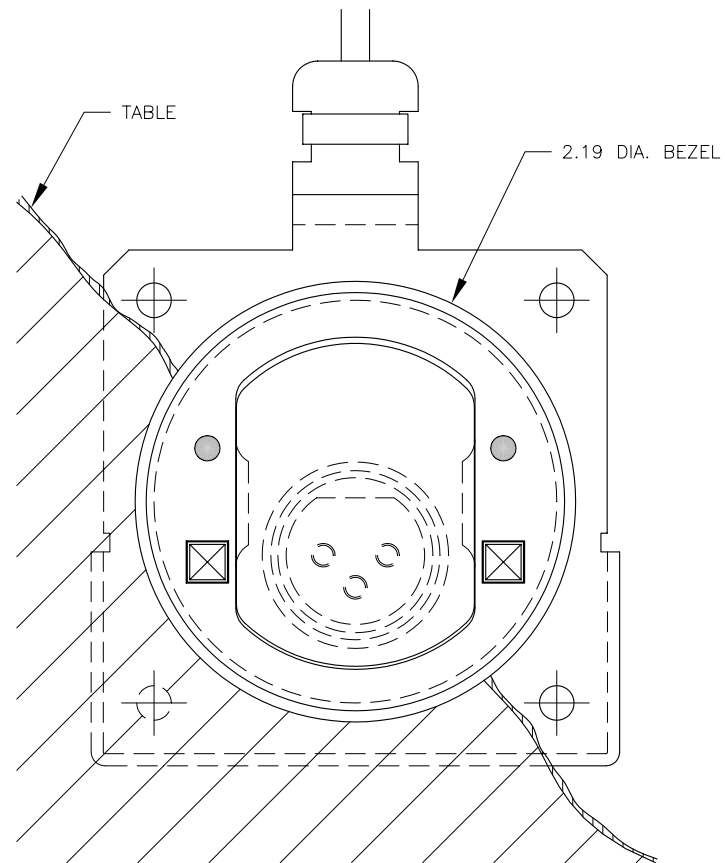
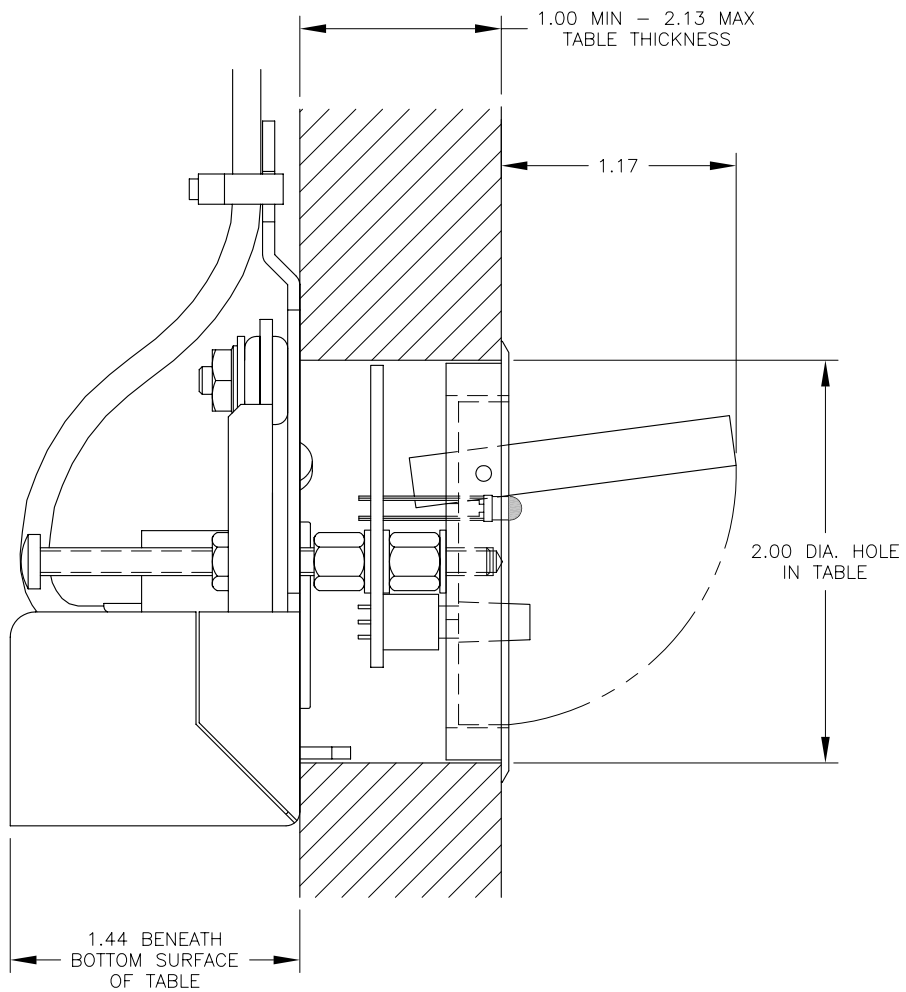
C

B

B

A

A



PATENT PROTECTED,
U.S. PATENT# 6,881,080

FSR inc. 244 BERGEN BLVD. W. PATERSON, NJ 07424 TEL. (973) 785-4347 FAX (973) 785-3318	TITLE: TABLE MICROPHONE BOX 2 SWITCH T3-MJ		
	DRAWN BY: JRE	DATE: 05/12/05	REV: -
	DWG#: T3-MJ-2	SCALE: 1:1	

4

3

2

1