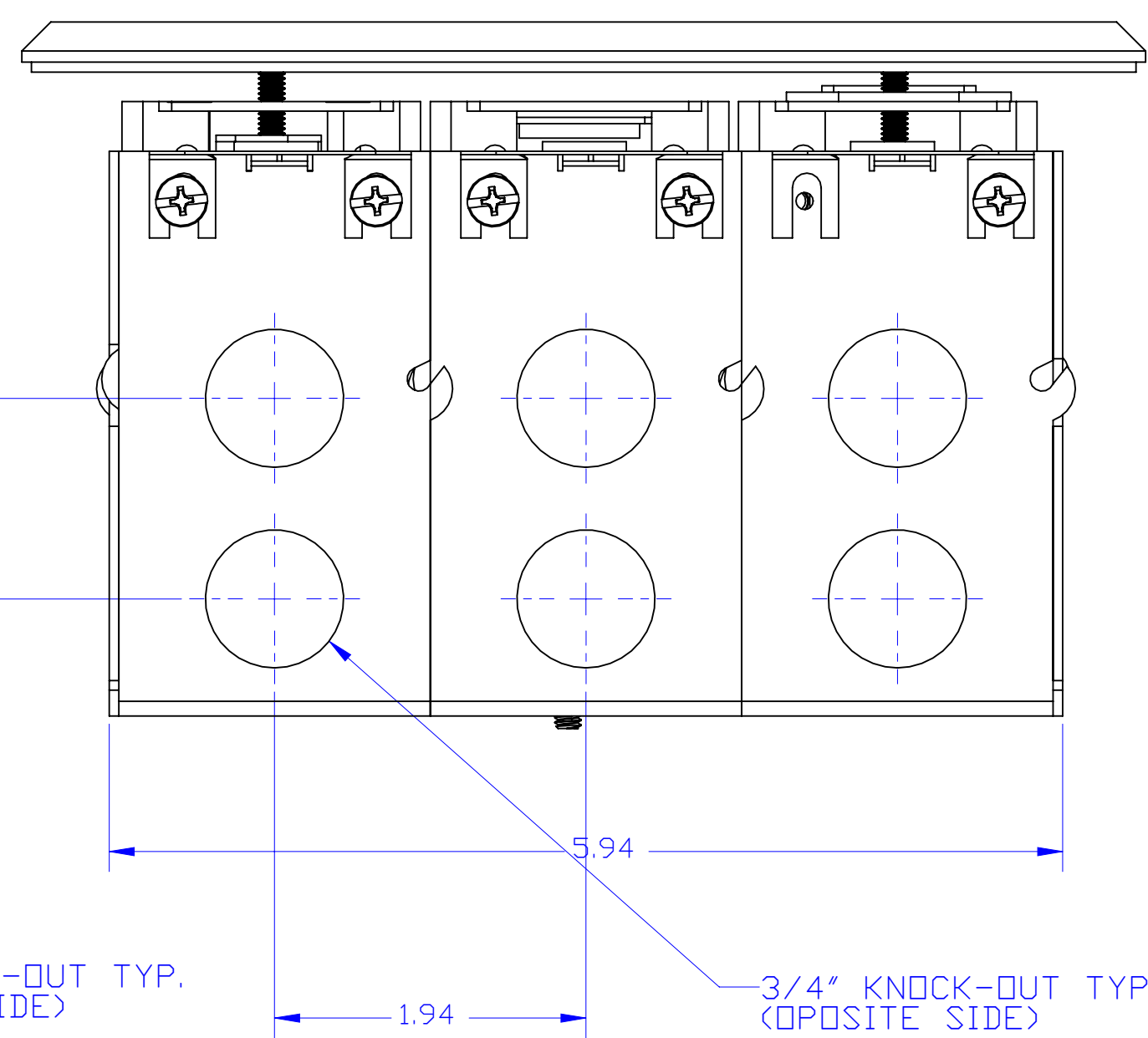
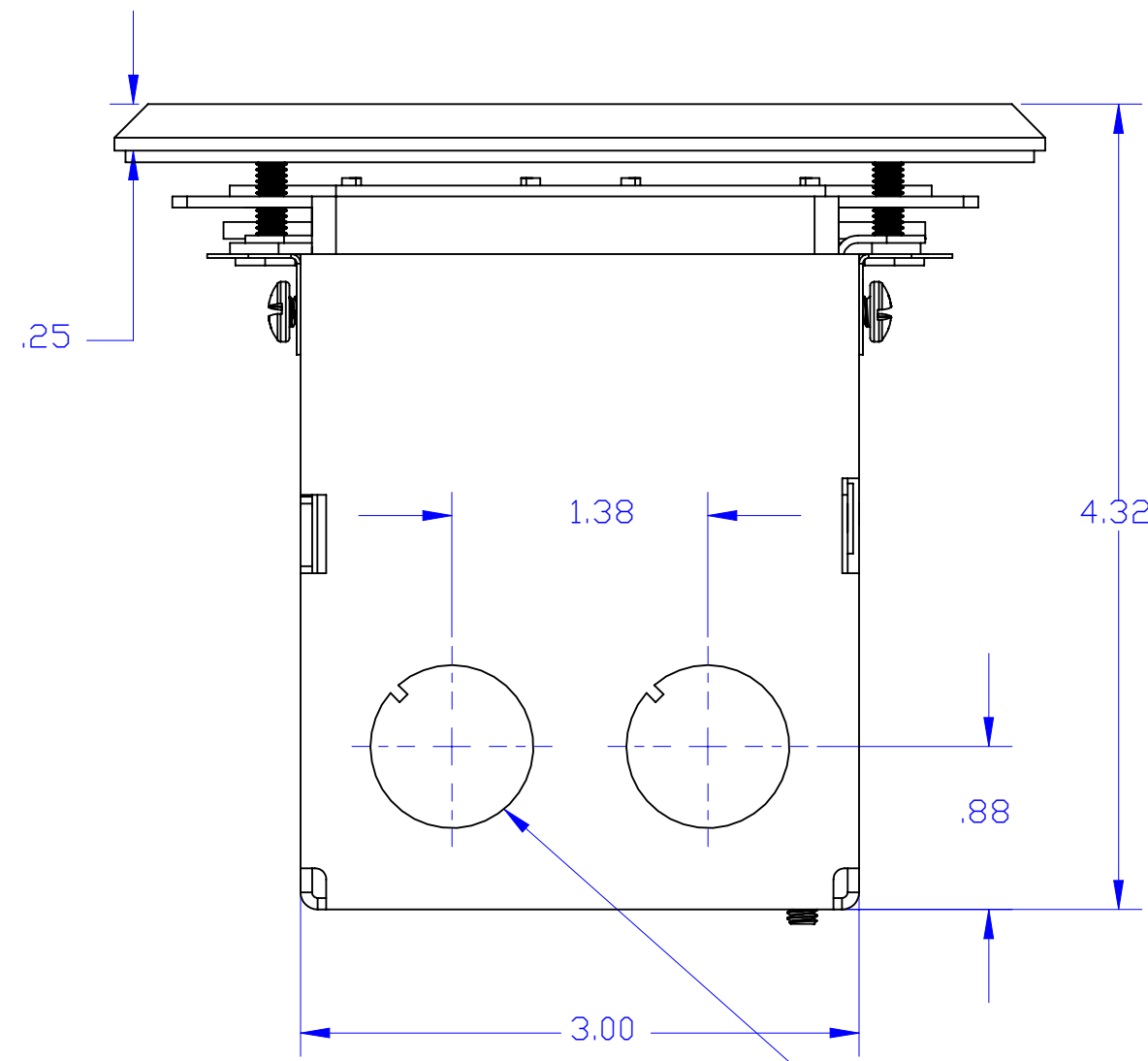
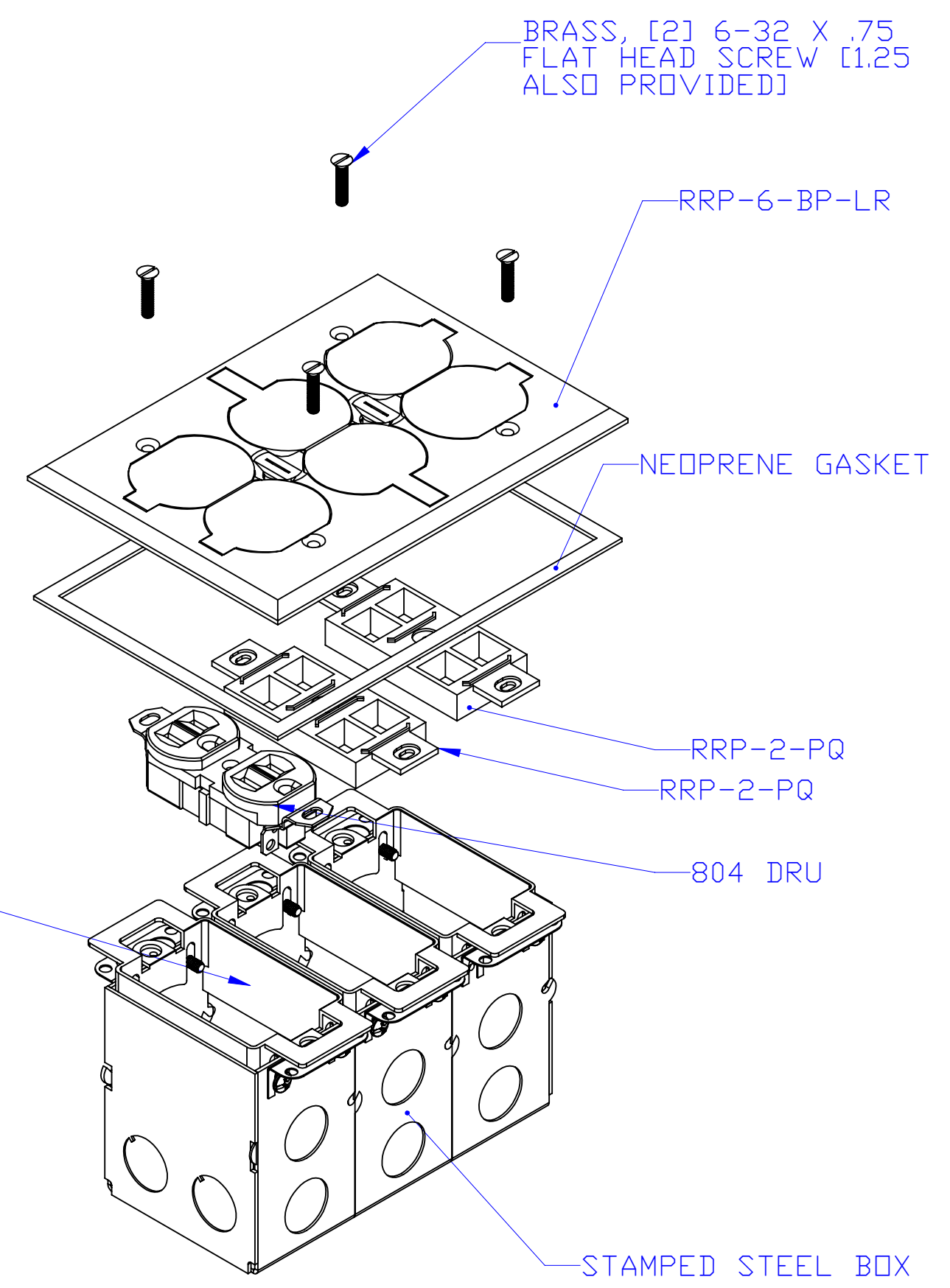
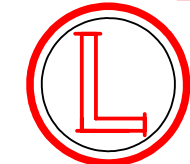


DESCRIPTION:
THREE GANG, DIVIDED, RECESSED, FLOOR
PLATE ASSEMBLY: 1 POWER & 2 QUAD PORT



3/4" KNOCK-OUT TYP.
(OPPOSITE SIDE)

3/4" KNOCK-OUT TYP.
(OPPOSITE SIDE)



**LEW ELECTRIC
FITTINGS COMPANY**
SERVING THE ELECTRICAL INDUSTRY SINCE 1901
1801 W. St. Charles Rd. Maywood, IL 60153
PHONE: 708-345-2075

UNLESS OTHERWISE SPECIFIED:		NAME	DATE	TITLE: SWB-6-P2Q-LR
DIMENSIONS ARE IN INCHES		DRAWN	PJG	
TOLERANCES:				SIZE DWG. NO. REV C
FRACTIONAL ±				
ANGULAR: MACH ± BEND ±				
TWO PLACE DECIMAL ±				WEIGHT: SHEET 12 OF 16
THREE PLACE DECIMAL ±				
INTERPRET GEOMETRIC TOLERANCING PER:		COMMENTS:		
MATERIAL:				
FINISH:				
DO NOT SCALE DRAWING				