

A

B

C

D

BYRNE

Surface Mount MiniTap

1

2

3

h

5

9

2

8

1

2

E

h

5

9

2

8

A

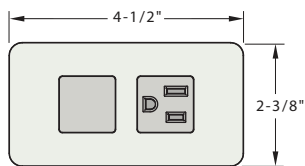
B

C

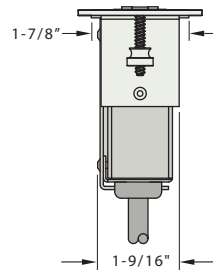
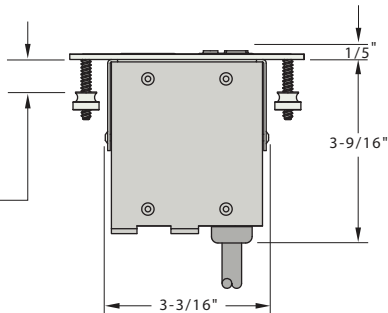
D



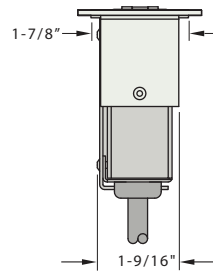
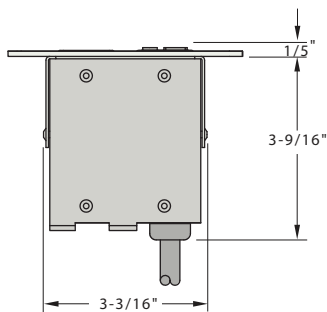
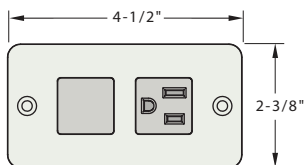
Hidden Mount



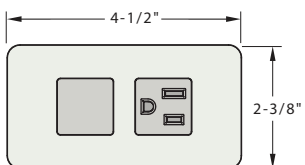
Fits 1/16" - 1" work surface thickness



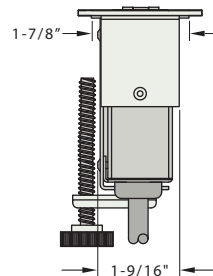
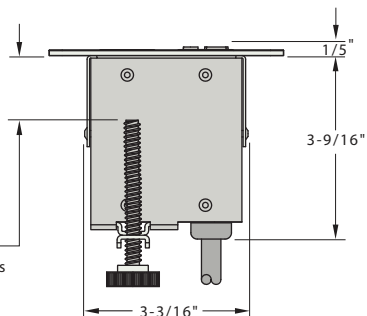
Face Mount



Clamp Mount



Fits 3/4" - 2-3/4" work surface thickness



{Surface Mount MiniTap} With a sleek profile and modest footprint, this little dynamo is ideal in tight spaces. MiniTap's Face Mount, Hidden Mount and Threaded Stud Mount options even make it a natural in upholstered furniture applications, and its metallic and gloss finishes complement any environment. The flexible port design also allows for multiple power and data configurations. Available in corded, hardwire and interconnect options. UL listed. Everything you need, nothing you don't. That's MiniTap. To learn more, visit us at www.byrne-electrical.com

Byrne



ELECTRICAL SPECIALISTS

320 Byrne Industrial Drive • Rockford, Michigan 49341

616 866-3461 • Fax 616 866-3449

www.byrne-electrical.com