

Welcome!

Everyone at Altinex greatly appreciates your purchase of the ShareTime Collaborative Control Adapter. We are confident that you will find it to be reliable and simple to use. If you need support, please do not hesitate to call us at 714-990-2300.

At Altinex, we are committed to developing unique and state of the art Signal Management Solutions® for demanding audiovisual installations. Welcome to the Altinex family of satisfied customers around the world!

1. Precautions and Safety Warnings

Please read the manual entirely before using your ShareTime. You can download a full version of this manual at www.altinex.com. These safety instructions are to ensure the reliable operation of your ShareTime and to prevent fire and shock hazards. Please read carefully and heed all warnings.

1.1 General

- ShareTime ST100-001 contains a micro USB programming connector that allows users to update the firmware of their unit when additional capabilities are developed by our engineering team.
- ShareTime ST100-001 contains a Li-Ion battery to provide the desired features and capabilities.

1.2 Installation Precautions

- To prevent fire or shock, do not expose this unit to water or moisture. Do not place the ShareTime ST100-001 in direct sunlight, near heaters or heat-radiating appliances, or near any liquid. Exposure to direct sunlight, smoke, or steam can harm internal components.

- Handle the unit with care. Dropping or jarring can cause damage.
- Do not abusively pull any cables that are attached to the ShareTime ST100-001. Hold the ST100-001 firmly and remove cables as needed.

1.3 Cleaning

- Clean the ShareTime ST100-001 with a dry cloth only. Never use strong detergents or solvents such as alcohol or thinner. Do not use a wet cloth or water to clean the connectors.

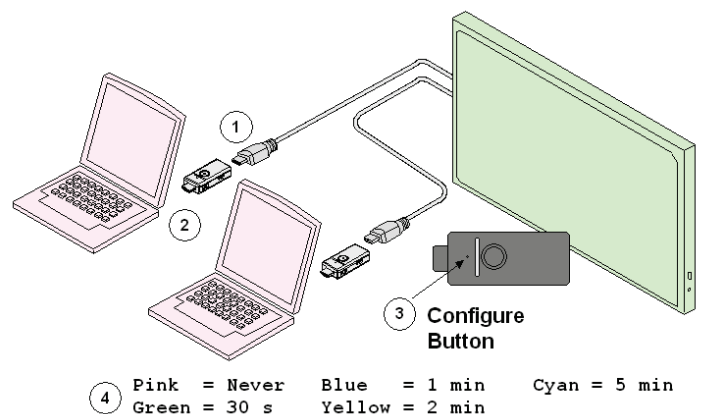
1.4 FCC Notice

- This device complies with Part 15 of the FCC Rules. Operation is subject to the following two conditions: (1) This device may not cause harmful interference, and (2) this device must accept any interference received, including interference that may cause undesired operation.
- This equipment has been tested and found to comply with the limits for a Class B digital device, pursuant to Part 2 of the FCC Rules. These limits are designed to provide reasonable protection against harmful interference when the equipment is operated in a commercial environment. This equipment generates, uses, and can radiate radio frequency energy and, if not installed and used in accordance with the instructions found herein, may cause harmful interference to radio communications. Operation of this equipment in a residential area is likely to cause harmful interference in which case the user will be required to correct the interference at their expense.
- Any changes or modifications to the unit not expressly approved by Altinex, Inc. could void the user's authority to operate the equipment.

2. Installation Procedures

- Step 1. Connect the ST100-001 to a CEC capable display using standard HDMI cable. Make sure CEC capability is enabled on the monitor. Some monitors have it defaulted to OFF.
- Step 2. Plug the ST100-001 into the laptop HDMI source. The LED flashes white to indicate the input number and green to indicate that the video is on the display. At this point, if the TV is OFF it turns ON.
- Step 3. To configure the ST100-001 shutdown time, press the configuration button with a paper clip.
- Step 4. The various flashing colors represent the choices available. To select a time, wait for the desired color to start blinking and then press the button again. The LED turns solid on the selection.

The ST100-001 is now ready for operation.



3. Warranty and Return Policies

Please visit the Altinex website at www.altinex.com for details on warranty and return policies. In the case of a unit needing repair, please fill out the RMA (return material authorization) form located on the bottom left hand corner of the Altinex homepage. Once filled out, please email the form to support@altinex.com.

4. Technical Specifications

Specifications are subject to change due to continuous product developments. See www.altinex.com for up-to-date information.

Features/Description	Specification
ST100-001	
Output	
Output Connectors	HDMI F, Type A
Input	
Input Connectors	HDMI M, Type A
Compatibility	
Signal Types	HDMI
Signal resolution	Standard HDMI resolutions
Agency Approval	
FCC/EU	CE, FSS Class B

Table 1. ST100-001 General

Mechanical	Specification
Material	ABS Plastic
Color	Black
Height	0.58 in (14.7 mm)
Width	1.08 in (27.4 mm)
Depth	2.20 in (55.9 mm)
Weight	0.05 lb. (0.02 kg)
T° Operating	10°C-40°C (50°F-104°F)
T° Maximum	50°C (122°F)
Humidity	80% non-condensing
MTBF (calc.)	38,000 hrs.

Table 2. ST100-001 Mechanical

Electrical	Specification
Video Output Signal	
Digital Impedance	100Ω
Digital Signal Level	Pass-through
Power	
5V DDC	210 mW

Table 3. ST100-001 Electrical

Color	Shutdown Time
Pink	Never
Green	30 seconds
Blue	1 minute
Yellow	2 minutes
Cyan	5 minutes

Table 4. ST100-001 LED pattern

5. About Your ST100-001

- Easy collaborative control of display input switching
- Automatically powers display ON and OFF by touch
- Compatible with all HDMI formats
- Small compact design allows for easy plug & play
- Use as many collaborative controllers as number of HDMI inputs available
- Compatible with all switchers and displays that comply with CEC commands



The ST100-001 collaborative display controller is a revolutionary HDMI pass-through smart adapter which allows cooperative control of multiple inputs on a single monitor. The ST100-001 allows multiple users to connect to one display and work together as they seamlessly switch between multiple sources, allowing for collaborative teamwork.

In a typical application, users would connect a HDMI cable to a monitor input and then connect a ShareTime adapter to the end of the cable. As soon as the ShareTime compact unit is plugged into a HDMI laptop output, a white light flashes to indicate the input number. The LED then turns a solid green and the video is displayed on the TV.

If the monitor is in stand-by mode, the ST100-001 will automatically turn it ON and select the proper input to assure that the image is properly displayed. Any number of ShareTime units can be used together to form a collaboration station with a single monitor. The ST100-001 constantly monitors its environment. When the last ST100-001 is disconnected from the HDMI source, the TV will turn OFF after the configured shutdown time.

The ST100-001 can easily be used with any CEC compatible switchers to create a larger multiuser collaborative solution. Its small and compact design allows users to have an easy plug and play experience with instant collaboration.

6. Application Diagrams

Diagram 1: Typical Setup

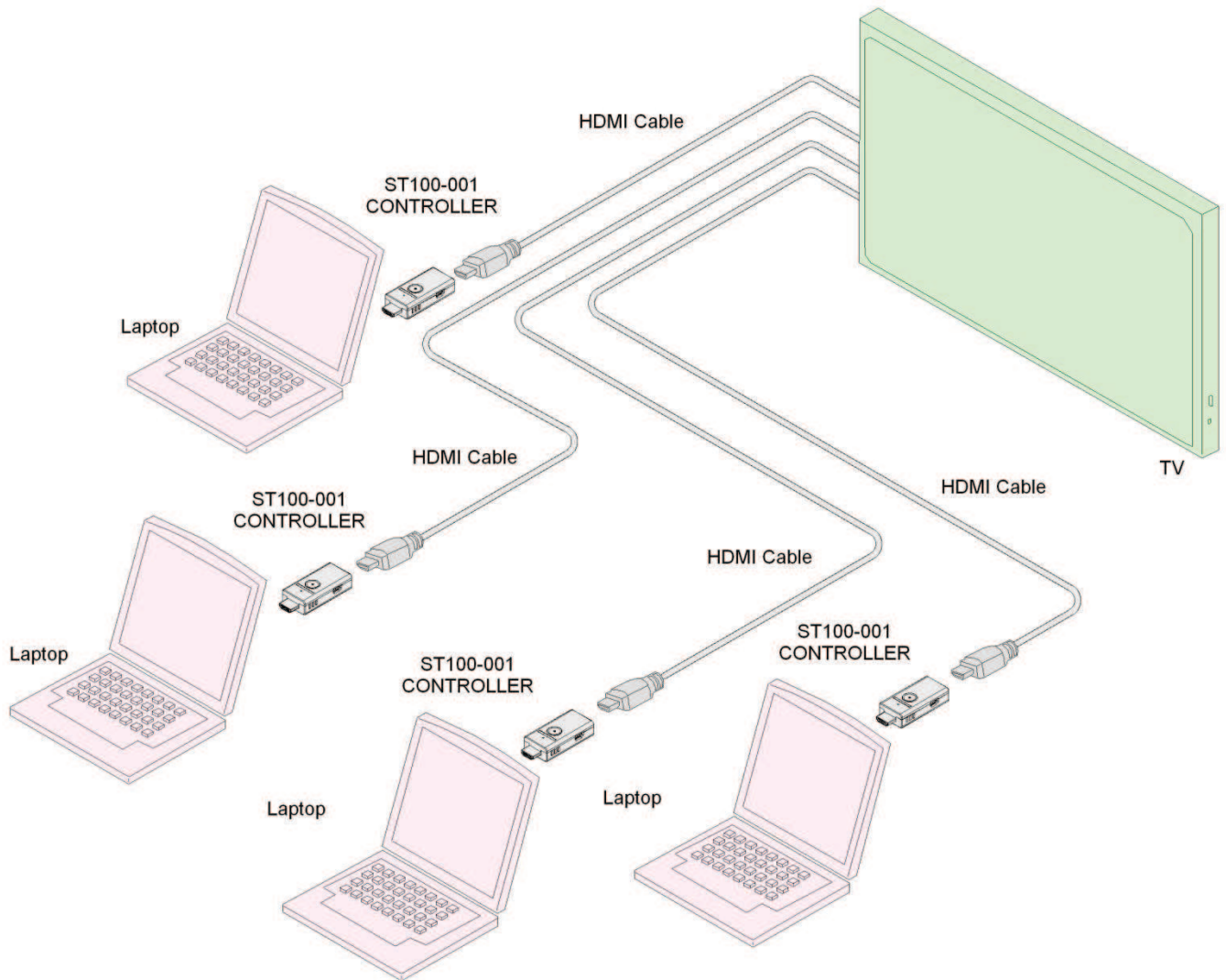


Diagram 2: ST100-001 Internal View

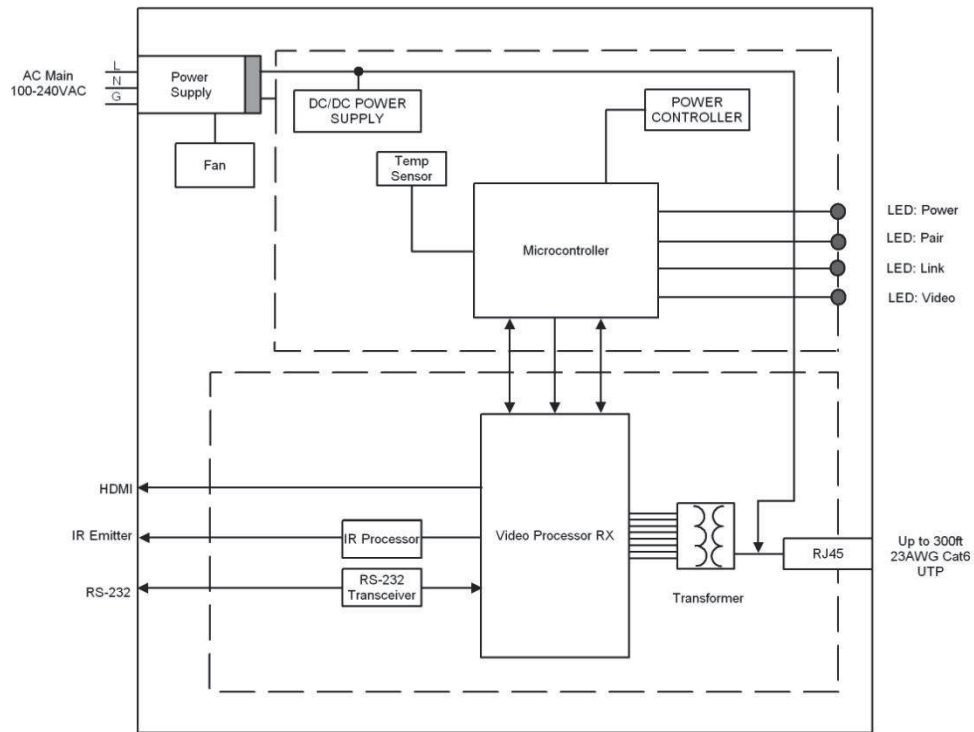
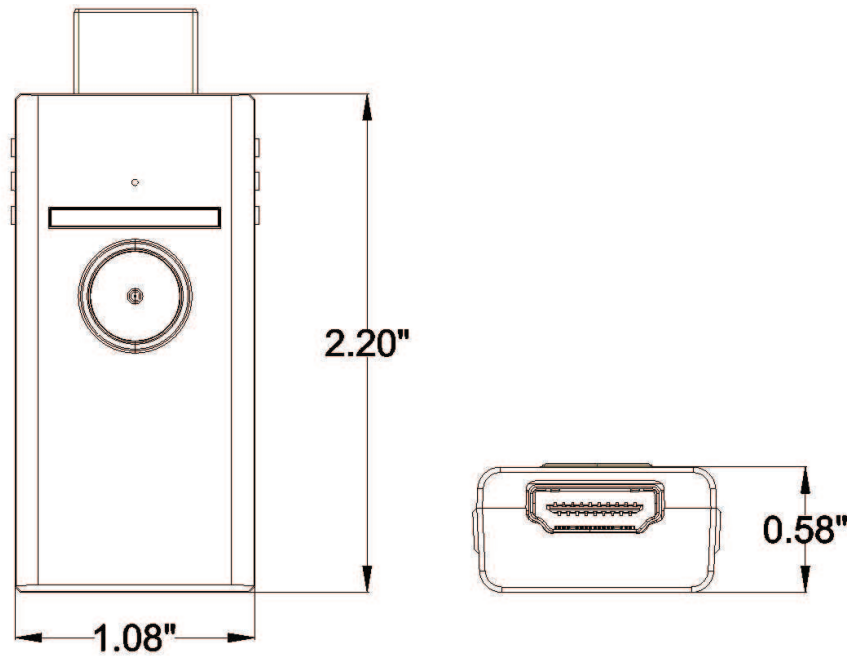


Diagram 3: ST100-001 Dimensions



7. Operation

Getting Started

After Plugging the ST100-001 into a laptop HDMI source, the ST100-001 will communicate which input it is connected to through the numbers of times the LED flashes white. The number of flashes corresponds to the input number (one flash indicates input one, two flashes indicate input two, and so forth).

Note: If there is a problem reading the input, the LED flashes magenta until successful. If the LED flashes for more than 10 seconds, there is most likely a problem with the cable or the TV does not support CEC.

After a few seconds, the LED turns a solid green and the video is displayed. If in standby mode, the ST100-001 LED will automatically turn a solid green when plugged into a laptop HDMI source.

In order to manually turn the display OFF, press and hold the circular touchpad. The LED flashes red after about 5 seconds and then becomes a solid red after another 5 seconds. When the LED turns a solid red, release the touchpad. At this point, the ST100-001 will turn the monitor OFF. To turn the monitor back ON, unplug the ST100-001 from the HDMI source and plug it back in.

Unplugging the ST100-001 from the HDMI source will start the shutdown timer. A green LED will flash briefly every second of the countdown timer. Note: If other ST100-001 units are active, the ST100-001 will shut down after a few seconds and there will be no power off from that ST100-001.

A ST100-001 unit with a solid white LED signals that a source is present but not displayed on the TV. Touch and release the touchpad of a ST100-001 unit to turn the LED green and display the video on the TV. When this switching occurs, if another ST100-001 was displayed on the TV previously, its LED will turn white and its video will no longer be present.

Remote Control

To shut down all ST100-001 units immediately, a remote control can be used to turn OFF the TV. After shutting down the TV, the ST100-001 units must be disconnected from the source and then reconnected to start the TV. The ST100-001 units also reflect the changes made when a user changes the input with a TV remote control.

Notes: If the ST100-001 units are in standby mode and a remote control is used, the units will shut down immediately and there will be no countdown to turn OFF the TV.

Updating Firmware.

1. Download and install the firmware update from www.altinex.com.
2. Connect ShareTime to a PC using USB Type A to Micro USB. Once connected, the LED turns a solid blue and then briefly turns OFF. The ST100-001 then flashes blue to notify the user what version they currently have (Note: The number of flashes corresponds to the version number). After this notification, the LED will again briefly turn off and then becomes a solid blue.
3. When the LED is a solid blue, launch the update the application.
4. Select Program from the menu to run the application.
5. After the update is complete, the LED flashes blue once more to indicate the NEW version number.
6. Disconnect the USB cable from the ST100-001 and remove from the source, if connected. Wait 3 seconds and reconnect to the HMDI source.
7. ShareTime is now ready with new firmware.



Press and hold the configuration button until the LED turns a solid blue to show the version. After releasing the configuration button, the LED will temporarily turn OFF and then will flash blue to indicate the version.

8. Troubleshooting Guide

We have carefully tested the ST100-001 prior to it leaving the factory. However, we would like to offer suggestions for the following:

Switcher	
Symptom	Resolution
LED does not turn on	Make sure that the unit is fully inserted into the HDMI connector and that the video output is set up to mirror the display of the laptop.
Display does not turn ON	<ol style="list-style-type: none"> 1. Make sure the display has fully powered OFF. During power OFF, the sequence monitor may not understand the power ON command. 2. Connect the ST100-001 first to the display, using a HDMI cable, and then connect ST100-001 to your laptop. 3. The display may not be CEC compatible.