

Smart Fit Series

SF4 - 4" Fire-Rated Poke-Thru

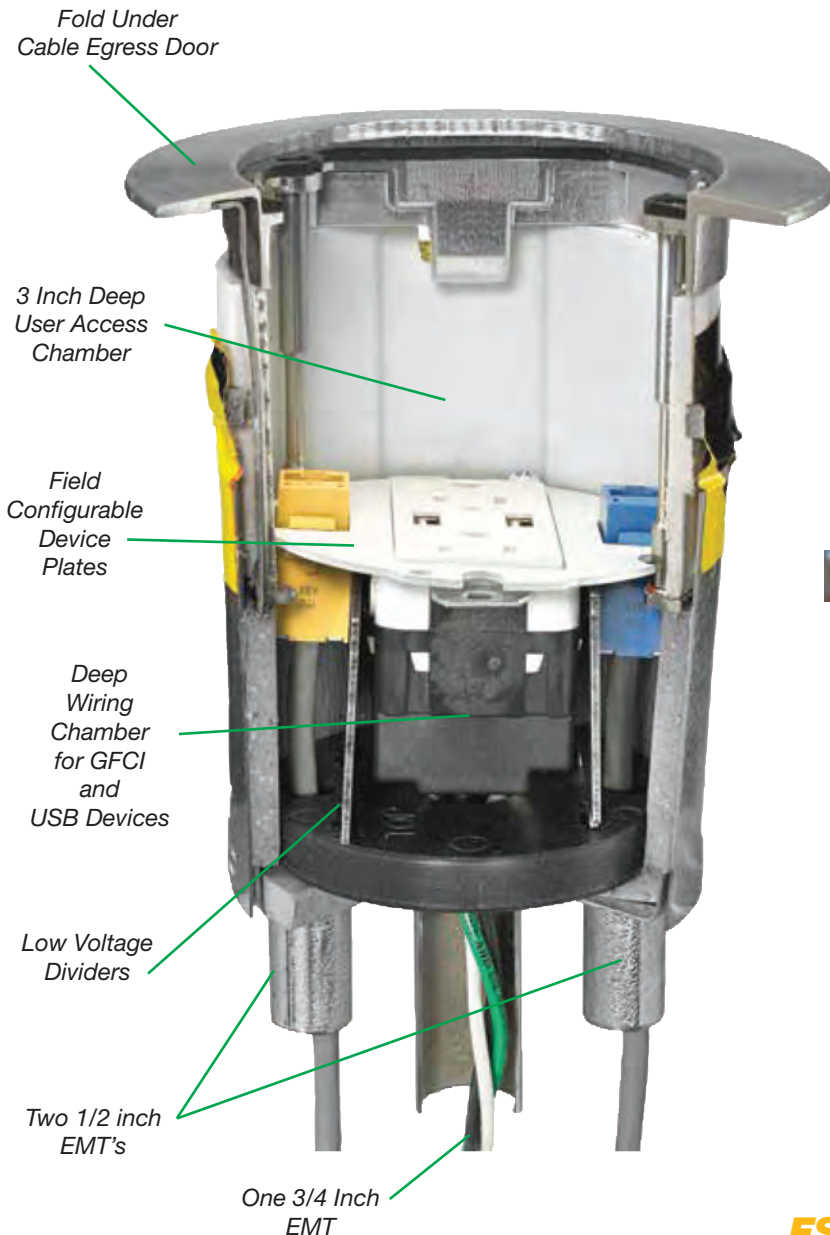
FSR

Metal Products Group

4" Fire-Rated Poke-Thru



0.12 Inch Thick Cover Flange, ADA Compliant

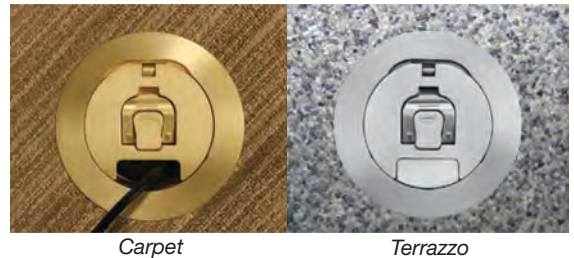


DESCRIPTION

FSR's 4" Fire-Rated "Poke-Thru" floor boxes provide aesthetics and installation ease. These sturdy core hole products combine flexibility via recessed mounting bracketry to accommodate a wide assortment of power, data and audio video connection options. Covers are available in three architectural finishes: Brushed Aluminum, Brushed Brass and Black providing an attractive appearance with superior durability. The entire cover door swings open 180° and the smaller cable access doors fold down for cable egress while the cover door is securely closed.

FEATURES

- Step down installation
- Maintains concrete floor fire rating up to two hours
- Junction box standard, 27 cubic inches
- One 3/4 inch conduit for power and two 1/2 inch conduits for low voltage
- 0.12 Inch Thick Cover Flange, ADA Compliant



FSR Inc.

244 Bergen Boulevard, Woodland Park, NJ 07424
 Phone: 973.998.2300 · Fax: 973.785.4207
 Web: www.fsrinc.com · E-mail: sales@fsrinc.com
 Order Desk: 1-800-332-FSR1

LIT1591C

SF4-PT-FITTINGS

Includes Cover, Junction Box and Dividers
(Subplate required)

17777
SF4-PT-ALM POKE-THRU
Brushed Aluminum

17778
SF4-PT-BLK POKE-THRU
Black Powder Coat

17779
SF4-PT-BRS POKE-THRU
Brushed Brass Plated



SF4-SPD2S / SF4-SPD

Subplates for 4" fittings (choose one)

17780
SF4-SPD2S SUBPLATE
Decora and 2 Keystone



17781
SF4-SPD SUBPLATE
Single Decora



FURNITURE FEED POKE-THRU

18349
SF-CPT-FF-ALM Assembled 4" FF -
Furniture Feed POKE-THRU



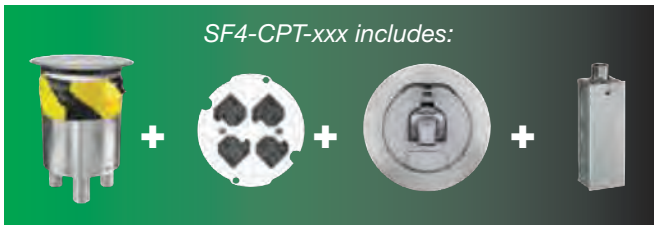
COVERS ONLY

17992- SF4-CVR-ALM
17993-SF4-CVR-BRS
17994-SF4-CVR-BLK
18349- SF-CPT-FF-ALM

BOX ONLY

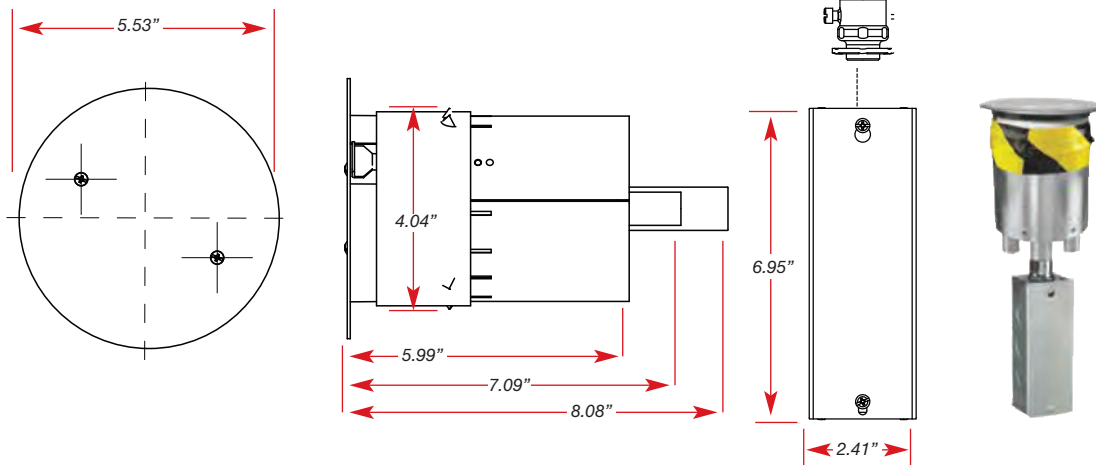
18051 - SF4-PT

SF4-CPT-QAC-xxx FIRE-RATED POKE-THRU



17774 SF4-CPT-QAC-ALM Brushed Aluminum
17775 SF4-CPT-QAC-BLK Black Powder Coat
17776 SF4-CPT-QAC-BRS Brushed Brass Plated

DIMENSIONS



FSR Inc.
244 Bergen Boulevard, Woodland Park, NJ 07424
Phone: 973.998.2300 · Fax: 973.785.4207
Web: www.fsrinc.com · E-mail: sales@fsrinc.com