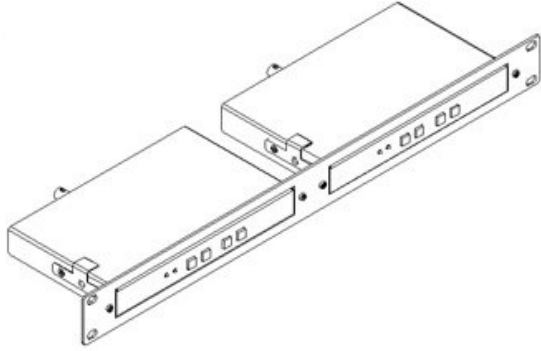




KRAMER

RK-T2B

19-Inch Rack Adapter for MegaTOOLS™



19-inch rack adapter for mounting 2 Kramer MegaTOOLS™ into a 1U rack space

FEATURES

Compatibility - Models compatible with the RK-T2B are also compatible with racks: RK-T2SB



KRAMER

TECHNICAL SPECIFICATIONS

PRODUCT DIMENSION: 19" x 2.56 x 1U (43.6cm x 6.50cm 4.40cm) W, D, H

PRODUCT WEIGHT: 0.3kg (0.6lbs) approx

SHIPPING DIMENSION: 49.00cm x 13.20cm x 6.00cm (19.29" x 5.20" x 2.36") W, D, H

SHIPPING WEIGHT: 0.5kg (1.1lbs) approx