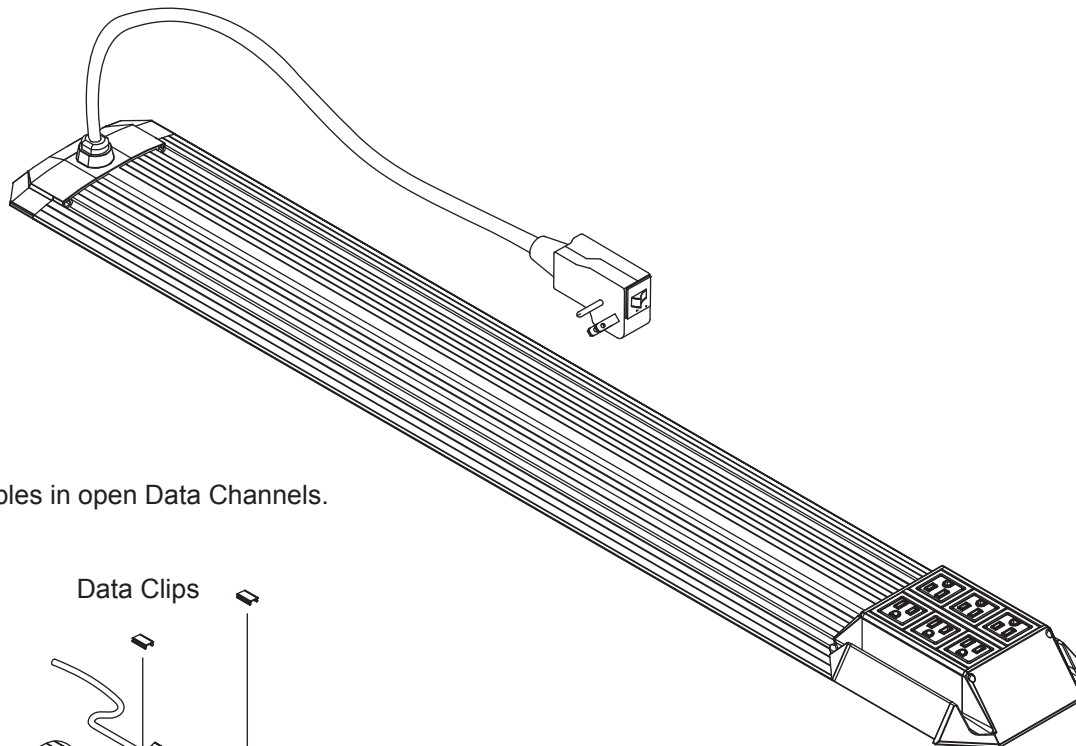


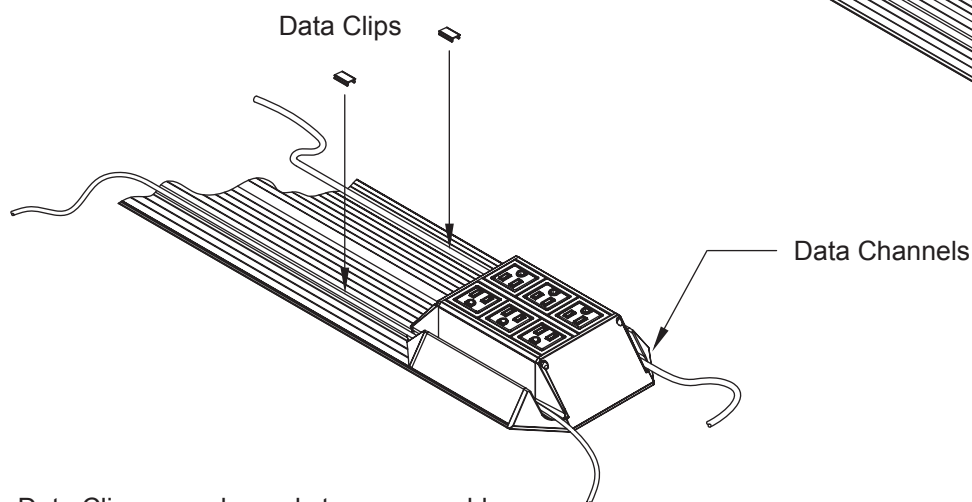
BYRNE

INSTALLATION INSTRUCTIONS FOR RIALTO

Lay Rialto on floor or large flat surface.



For Data, lay data cables in open Data Channels.



Snap Data Clips over channels to secure cables.

Note: Optional Glowstrip recharges via indoor and outdoor lighting

To disconnect Rialto unit:

UNPLUG RIALTO FROM ELECTRICAL OUTLET ON WALL.

Patent Pending



320 Byrne Industrial Dr., Rockford, Michigan 49341 Phone (616) 866-3461 Fax (616) 866-3129 www.byrne-electrical.com