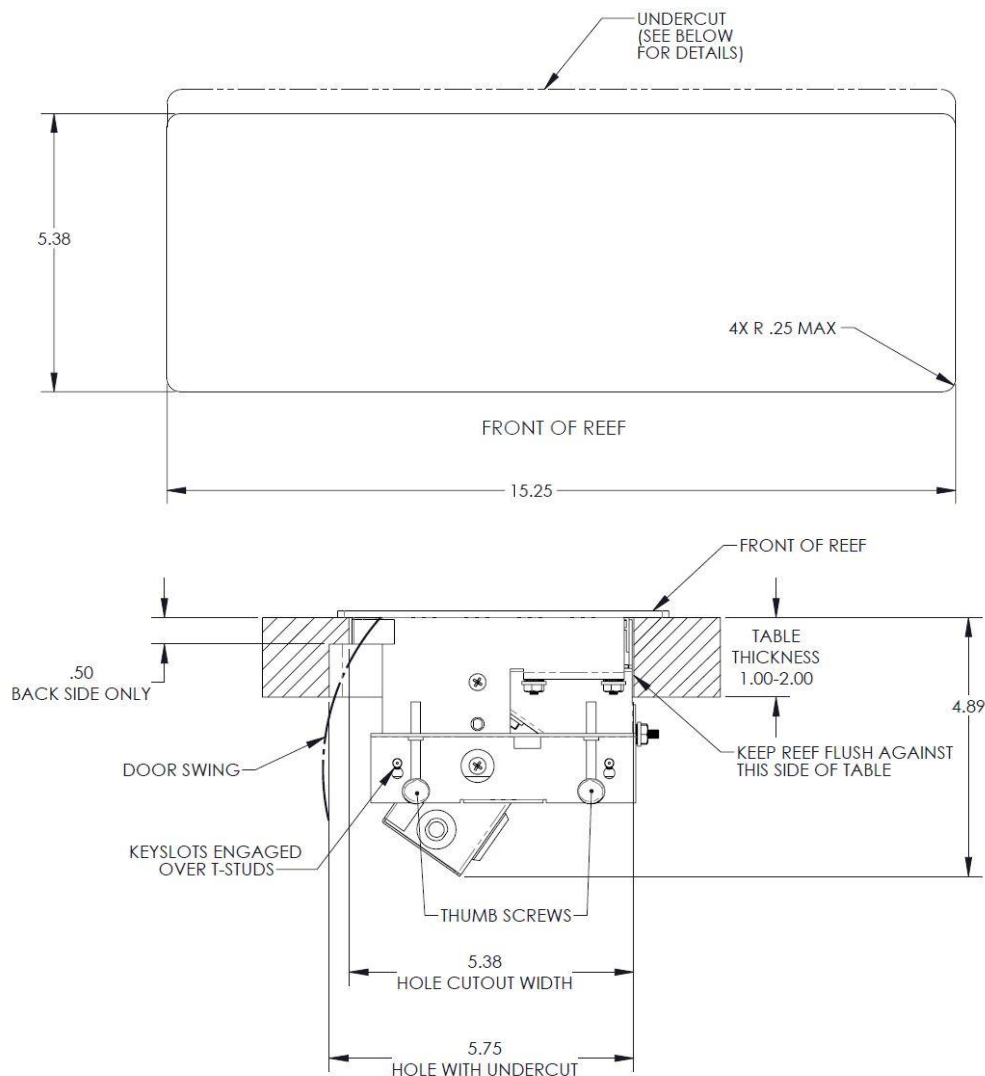


Installation Instructions

1. Determine the REEF's mounting location and prepare the surface. (See Fig. 1 & 2, orient the undercut to the rear of the unit)
2. Insert the REEF into the cutout from above and check for smooth operation of the door and adjust position in cutout if required.
3. Clamp into position using clamps & thumb screws provided. Note: Key slots in clamps engage over T-studs in REEF and thumb screws tighten against the underside of the table.
4. Connect all power and data cabling as needed.

Cutout Details



INNOVATIVE POWER & DATA SOLUTIONS

10 Mountain View Drive | Shelton, CT 06484 | P: 800-521-3175 | www.electri-cable.com

Reef™ Technical Information

- ETL Listed.
- 12A, 120 VAC spill resistant receptacles.
- USB charging ports that work with USB compatible devices.
- USB Rating: 2.1A, 11 Watts, 5V/DC.
- Comes standard with a 108" power cord and a minimum wall clearance, 90 degree plug.
- All metal construction.
- Rugged powder coat, and aluminum anodize finishes for lasting durability.

Cautions and Warnings

WARNING: FAILURE TO FOLLOW CAUTIONS AND WARNINGS BELOW COULD RESULT IN ELECTRICAL SHOCK, FIRE, PROPERTY DAMAGE, PERSONAL INJURY OR DEATH.

Cautions:

- Read Instructions · Read all warnings and operating instructions before using.
- Retain Instructions · Retain this Instruction sheet for future use.
- Never use in a wet environment. Never allow liquid of any kind to spill onto, or enter any part of the Cove.
- Follow Warnings · Read and follow all warnings and directions in this instruction sheet and marked on the equipment.
- Service · There are no user serviceable parts in this product. Do not open or modify the Cove in any manner.

Warnings:

- Power Source · This product is only to be operated from the power source indicated on the Cove. Use only with a grounded (neutral) conductor. For safety, do not bypass or disable the third (grounding) pin.
- Power Disconnection · To remove powered devices safely grasp the device's plug and pull straight from the powered outlet. Do not pull on the device cord or remove the plug from any angle other than straight from the outlet. Never touch the metal conductors on the plug during connecting to or removal from the product.
- Power Cord · Route the product's power cord where it will not be stepped on, pinched, have devices placed on it or become a tripping hazard. Never allow the power cord to sit in any liquid or get wet in any manner.
- Location · This product is intended to be used in a dry environment only.