

PWB-100 Project Wall Box

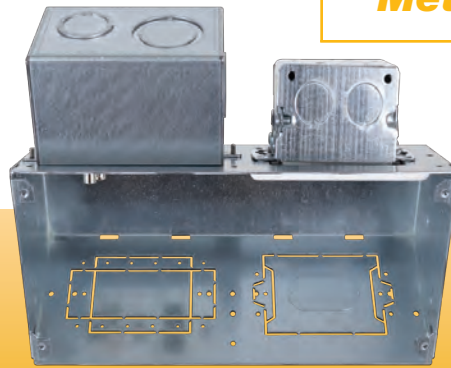
FSR

Metal Products Group

PWB-100



Cover



Lower Interior with knockouts shown



Upper Interior with IPS plates and accessories shown (not included)

DESCRIPTION

The PWB-100 is the essential installation accessory for any flat panel display. It installs easily in the wall behind any display allowing your screen to sit flush against the wall. This unit provides a neat and secure environment for the audio, video, control and power connections.

The PWB-100 is 11"W x 5.25"H x 3.57"D and installs easily between any two standard studs in the wall. Once populated the overall height is 7.39" behind the wall. Connections and cable entry can be on the top or the bottom depending on installation preference. Designed to mount along the bottom edge behind a flat panel display, the PWB-100 provides a single point for all your connections. The unit accommodates up to six single space Intelligent Plate Solution plates and a UL listed single gang gem box for AC power.

The PWB is available in white or black and is suitable for painting or other finishing, matching any décor. It has a cable exit slot for the display connections and the excess cable can easily be hidden inside of the box making the entire installation as clean as possible. The cover screws onto the front of the box once all connections are in place.

FSR designed this unit for new and existing construction. Brackets are included for mounting to studs in new construction as well as surface mount clips for mounting to sheet rock or plywood in existing construction.

INCLUDED ACCESSORIES

- | | |
|---|--------------------------|
| 1 - Low voltage back box | 1 - UL listed Gem box |
| 2 - Surface mount clips | 2 - Custom madison clips |
| 1 - Pass through grommet, | 2 - Stud mount brackets |
| additional grommets available use part #13342 | |

ORDERING INFORMATION

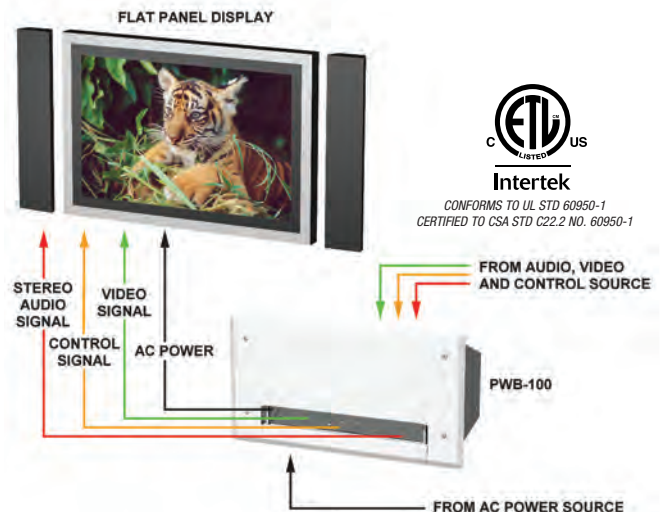
PWB-100-WHT = White Cover
 PWB-100-BLK = Black Cover
 Other options are available. Consult sales for details.

FEATURES

- Rugged 14 gauge steel back box with 1/16" front cover
- Compatible with FSR's IPS inserts
- Can be installed in new or old work (mounting adapters included)
- AC and low voltage back box included
- Connectors are hidden behind an attractive cover
- Multiple knockouts in a variety of sizes
- UL listed AC back box provided
- Newly added Triple Play Knockout Solution

APPLICATIONS

- Anywhere a video display is wall mounted!
- Digital Signage
- Conference Centers
- Schools
- Airports
- Electronic Billboards
- Museums
- General Meeting Facilities
- Arenas



Intertek
 CONFORMS TO UL STD 60950-1
 CERTIFIED TO CSA STD C22.2 NO. 60950-1

FSR Inc.

244 Bergen Boulevard, Woodland Park, NJ 07424
 Phone: 973.785.4347 · Fax: 973.785.4207
 Web: www.fsrinc.com · E-mail: sales@fsrinc.com
 Order Desk: 1-800-332-FSR1

LIT1163D

PWB-100 ACCESSORIES

IPS Audio / Video Inserts

IPS-AV230S RCA (RED, WHT, YEL) to Solder Cup	IPS-AV231S RCA (RED, WHT, YEL) to RCA Bulkhead	IPS-AV922S RCA (YEL) to Solder Cup w/3.5mm St. to Solder Cup	IPS-AV920D HD-15 Female to HD-15 Female w/3.5mm St. to Solder Cup	IPS-AV921D HD-15 Female to S-BNC Tails w/3.5mm St. to Solder Cup	IPS-AV923D 9-Pin D Female to Female Bulkhead w/3.5mm St. to Solder Cup	IPS-AVC940T HD-15 to 5 BNC, 3.5mm St., 2 RJ-45 IDC (Cat 5e)	IPS-AVC941T HD-15 to 5 BNC, 3.5mm St., RCA, RJ-45 IDC (Cat 5e)	IPS-AVC942T HD-15 to 5 BNC, 3.5mm St., S-Video, RJ-45 IDC (Cat 5e)
--	--	--	---	--	--	---	--	--

IPS Audio Inserts

IPS-A220S RCA (RED, WHT) to RCA Bulkhead	IPS-A221S RCA (RED, WHT) to Solder Cup	IPS-A222S RCA (RED, WHT) to Screw Terminal	IPS-A223S RCA (RED, WHT) to Balanced Screw Terminal	IPS-A510S 3.5mm St. to Solder Cup	IPS-A511S 1/8" Stereo Jack to Balanced Screw Terminal	IPS-A512S 1/4" Stereo Jack to Solder Cup	IPS-A522S 1/4" Stereo Jack to Solder Cup	IPS-A610S 3-Pin Mini XLR (Switchcraft)
IPS-A611D Female XLR 3-Pin (Neutrik)			IPS-A612D Male XLR 3-Pin (Neutrik)		IPS-A613D NEUTRIK SPEAKON		IPS-A620S 3-Pin Mini XLR (Switchcraft)	

IPS Video Inserts

IPS-V110S BNC (YEL) to BNC Bulkhead	IPS-V120S BNC (YEL) to BNC Bulkhead	IPS-V210S RCA (YEL) to Solder Cup	IPS-V211S RCA (YEL) to RCA Bulkhead	IPS-V213S RCA (YEL) to BNC Bulkhead	IPS-V230S RCA (GRN, BLU, RED) to RCA Bulkhead	IPS-V310S S-Video to 2 BNC Tails	IPS-V610S HDMI Female to Female Bulkhead	IPS-V311S S-Video to S-Video Bulkhead	IPS-V410S HD-15 Female to HD-15 Female
IPS-V911S F-Connector Bulkhead		IPS-V921S RCA (YEL) to BNC S-Video (YEL) to S-Video		IPS-V922S BNC (YEL) to BNC S-Video (YEL) to S-Video		IPS-V130D BNC (GRN, RED, BLU) to BNC Bulkhead		IPS-V150T BNC (RED, GRN, BLU, BLK, YEL) to BNC Bulkhead	
IPS-V231D RCA (GRN, RED, BLU) to BNC Bulkhead			IPS-V611T DVI-I Female to Female Bulkhead						

IPS Voice / Data Inserts

IPS-D710S RJ-45 IDC (Cat 5e)	IPS-D711S RJ-45 IDC (Cat 6)	IPS-D712S RJ-45 Bulkhead (Cat 5e)	IPS-D713S RJ-45 Bulkhead (Cat 6)	IPS-D714S RJ-11 IDC	IPS-D715S USB Type A Bulkhead
IPS-D716S USB Type A to Screw Terminal	IPS-D717S USB Type A Charging Dock to Screw Terminal	IPS-D718S USB Type B Bulkhead	IPS-D719S USB Type B to Screw Terminal	IPS-D801S Fiber Bulkhead	IPS-D720D RJ-45 IDC (Cat 5e)
IPS-D802S Dual Fiber Bulkhead					

IPS Blank Inserts

IPS-B000S Single Space Blank	IPS-B000Q Four Space Blank	IPS-B011Q Pass Thru .69" x 1.69" ID Rubber Bushing
IPS-B000D Double Space Blank	IPS-B010D Pass Thru .812" ID Bushing	IPS-B020D Pass Thru 2x .312" ID Bushings
IPS-B030T Pass Thru 2x .312" ID & .812" ID Bushings		

Simple Solutions Inserts (Decora)

SS-PBLNK	SS-PORT3	SS-PORT4	SS-PORT6	SS-P2DB	SS-P1DB	SS-PDSXL	SS-P2XLR	SS-P1XLR	SS-DDUP (Includes Wall Plate)
SS-CBLNK	SS-HDMI	SS-MINI	SS-RCA-B	SS-RJ11	SS-RJCAT6	SS-SWMAIN	SS-USBA	SS-USBB	
SS-BNC	SS-FCON	SS-LC	SS-RCA-R	SS-RCA-Y	SS-RJ45	SS-SCON	SS-SWMOM	SS-USBAHW	SS-USBBHW

AV Interfaces

CI-5BWPA Computer Interface	CI-5LB Computer Interface	PCI-5BWA Passive PC Interface	VWP-SVA Video Interface
---------------------------------------	-------------------------------------	---	-----------------------------------

IPS Control Inserts

IPS-C410S 9-Pin D Male to Female Bulkhead	IPS-C411S 9-Pin D Male to Solder Cup	IPS-C611S 4-Pin Mini XLR (Switchcraft)
IPS-C612S Hole for Crest Net Cable	IPS-C910S 1 Momentary Button w/Lamp 5-24V	IPS-C920S 2 Momentary Buttons w/Lamp 5-24V
IPS-C610D Female XLR 4-Pin (Neutrik)	IPS-C710D Neutrik RJ-45	

IPS AC Insert

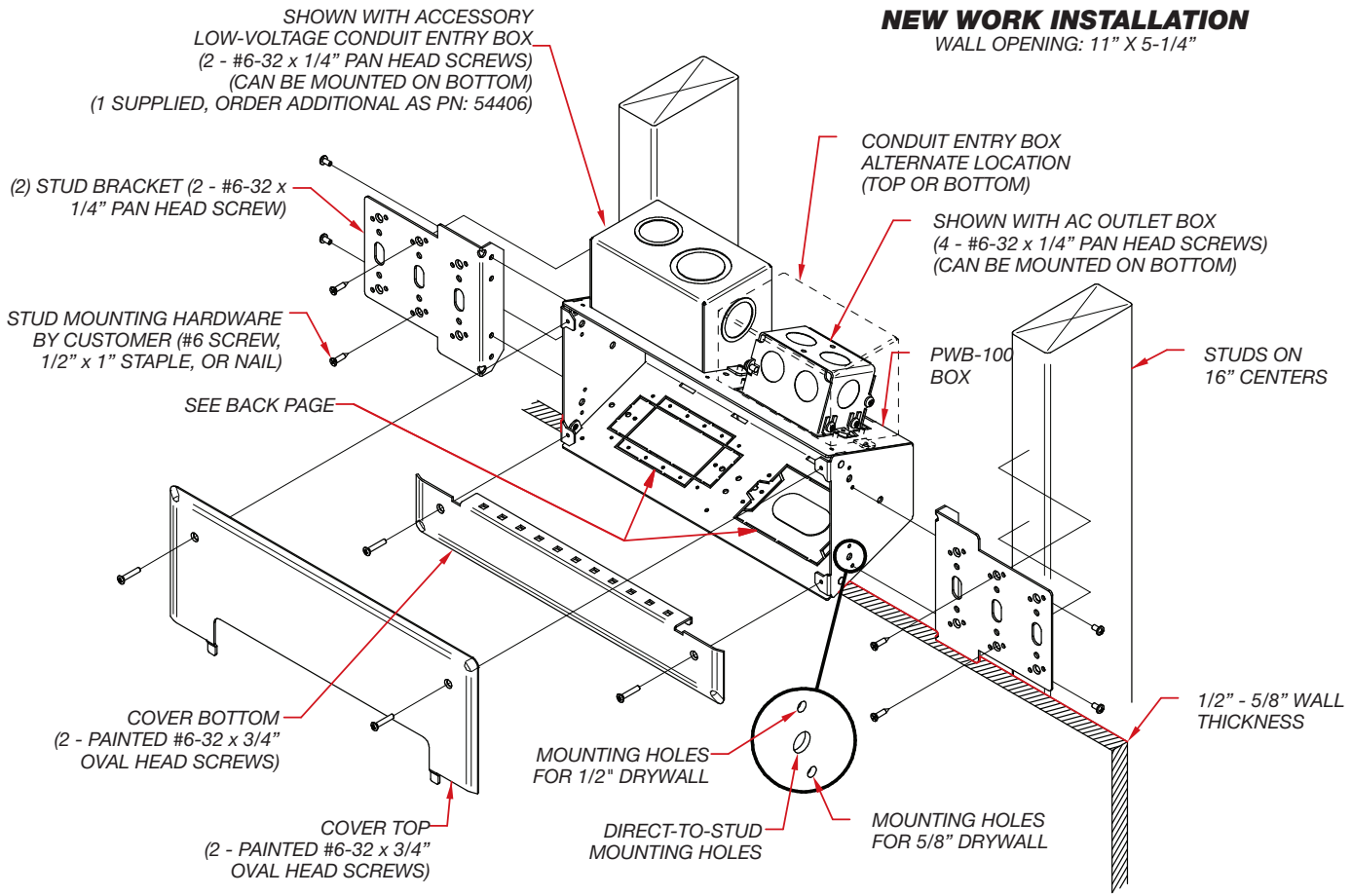
IPS-AC110D Enclosed w/8" 14awg Cord

Most items above are available in white or black to match the decor. We are always adding to our IPS and SS line. Please visit our website or contact sales for detailed information.

TYPICAL INSTALLATIONS

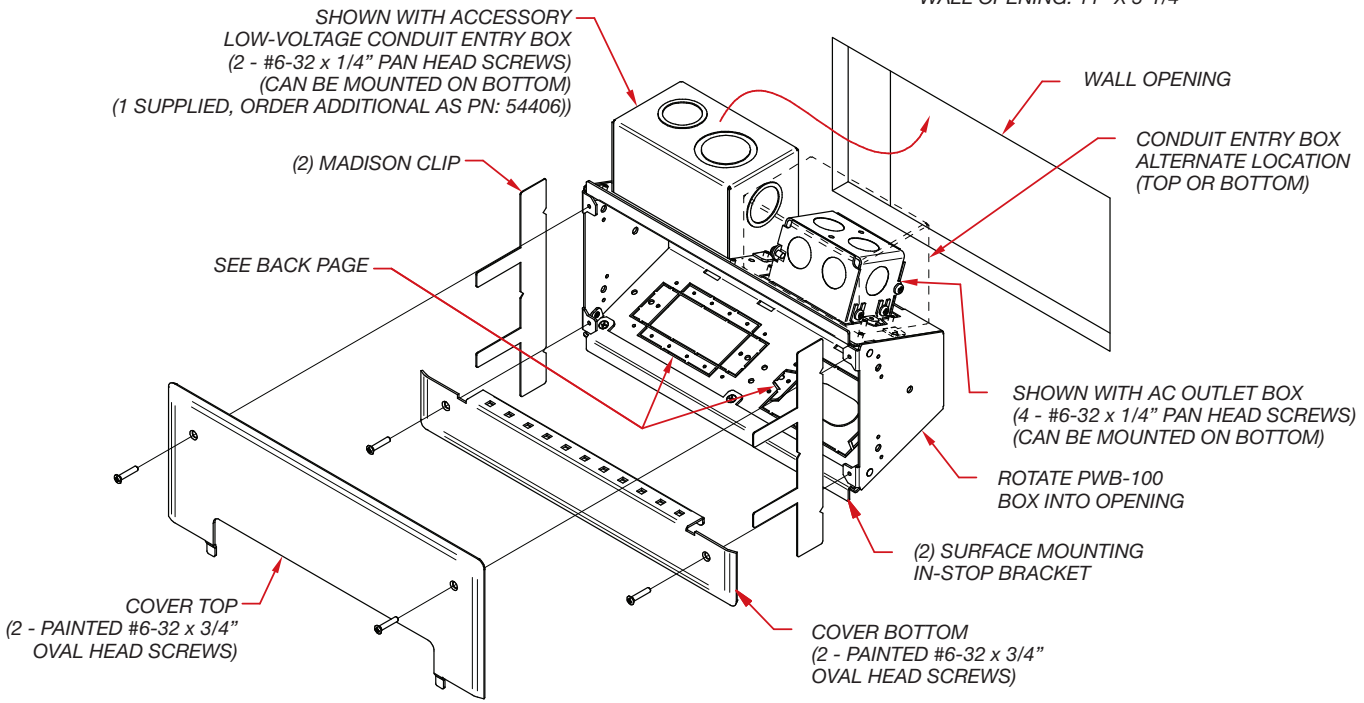
NEW WORK INSTALLATION

WALL OPENING: 11" X 5-1/4"

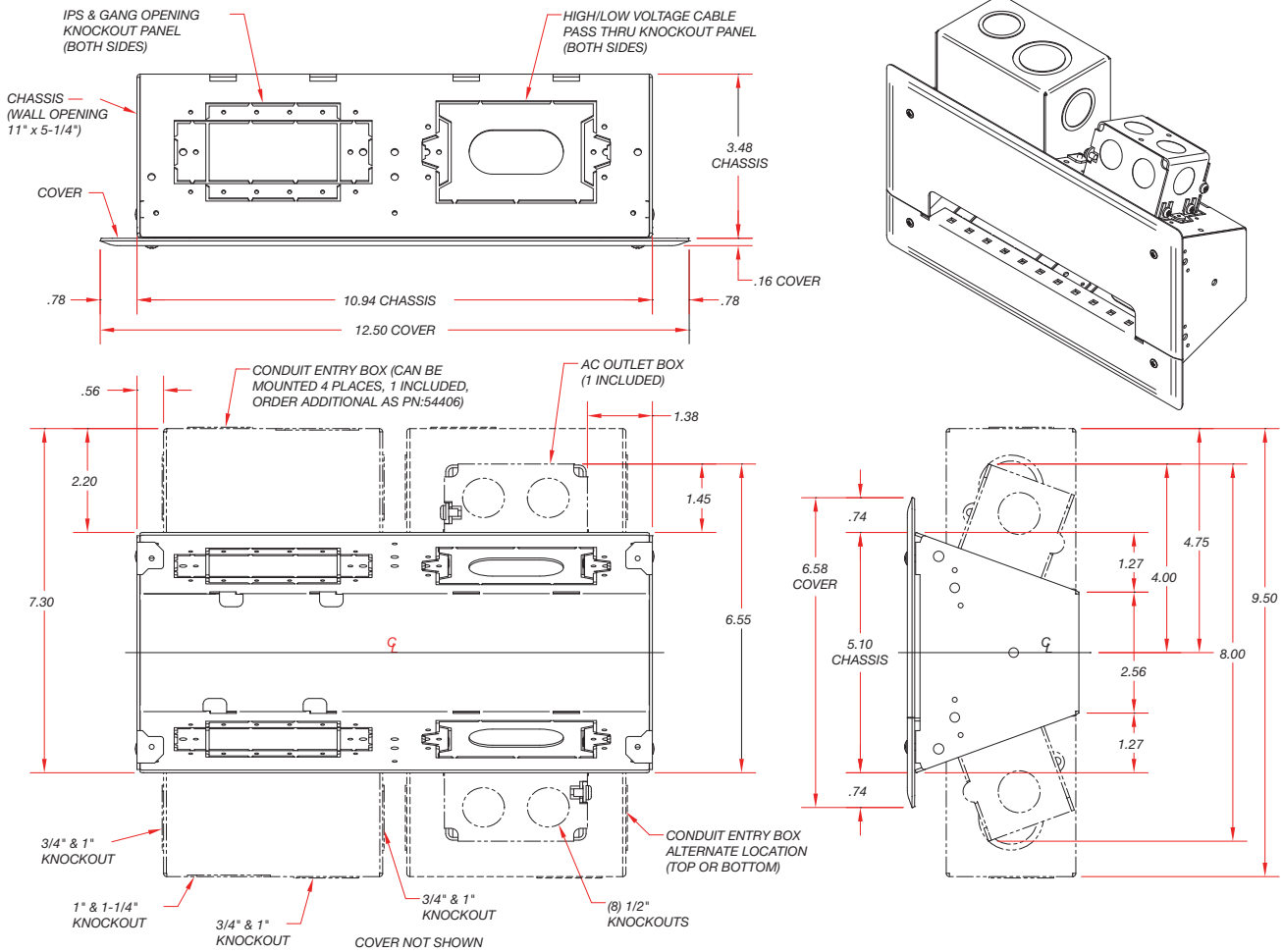


OLD WORK INSTALLATION

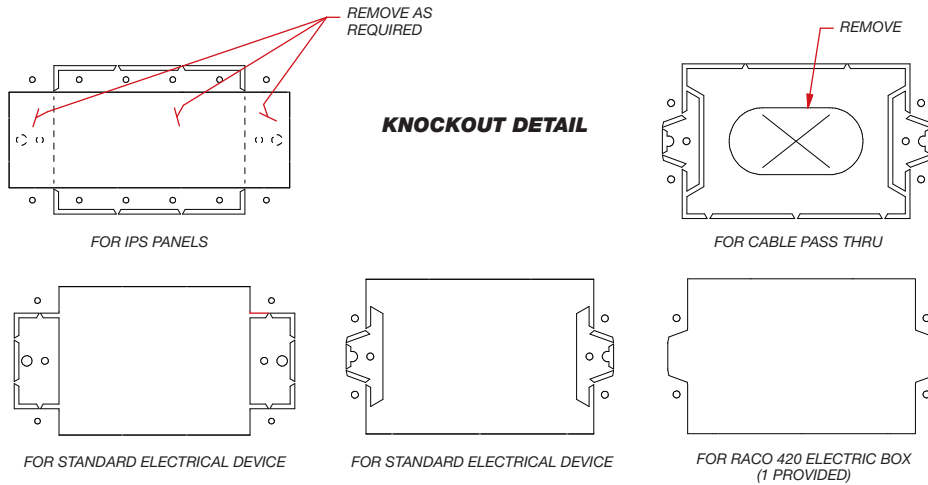
WALL OPENING: 11" X 5-1/4"



PWB-100 DIMENSIONS



KNOCKOUT DETAIL



FSR Inc.

244 Bergen Boulevard, Woodland Park, NJ 07424
 Phone: 973.785.4347 · Fax: 973.785.4207
 Web: www.fsrinc.com · E-mail: sales@fsrinc.com



Specifications are subject to change without notice.