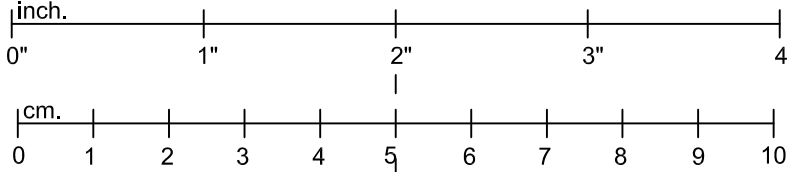


1. STOP

2. MEASURE

3. CUT

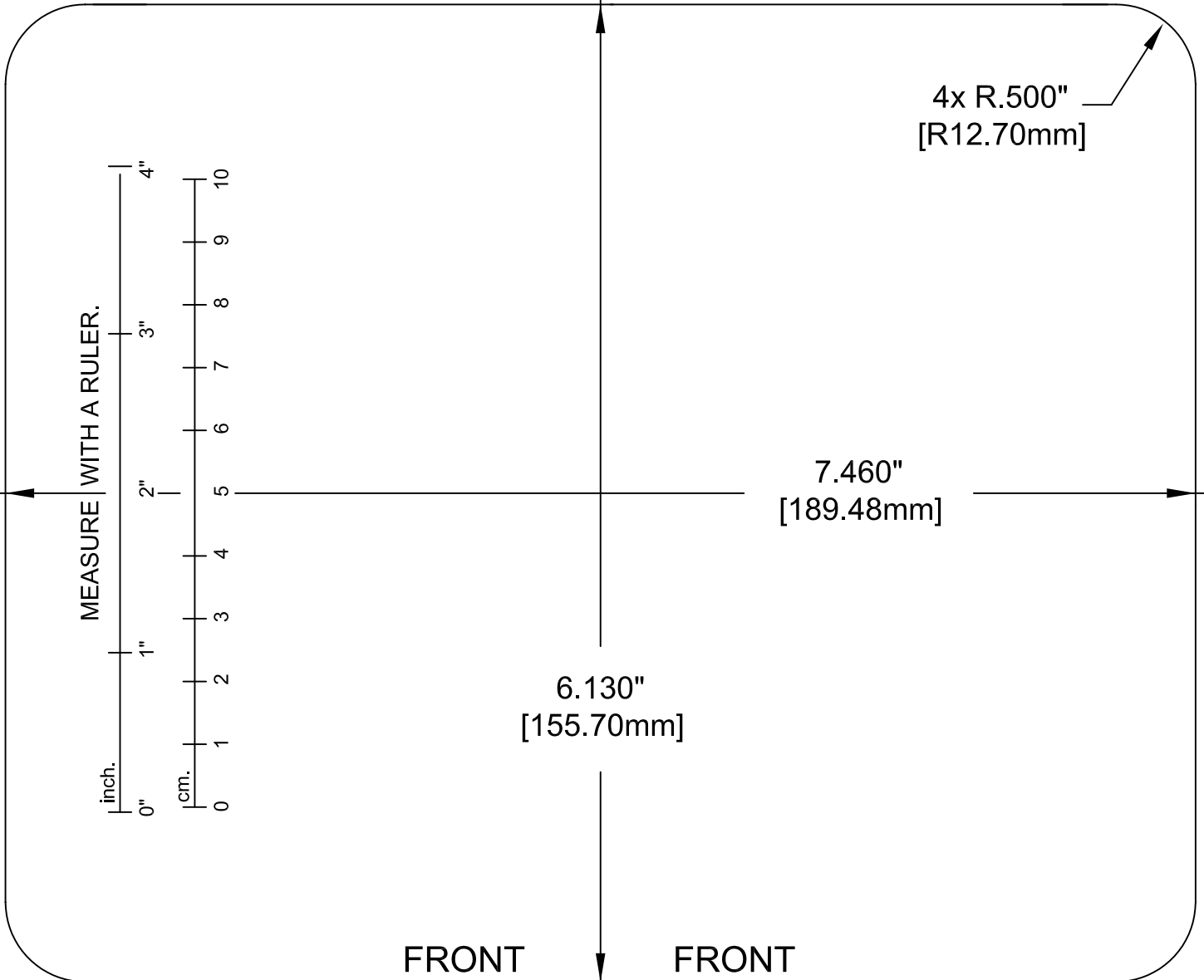
VERIFY ALL DIMENSIONS TO ENSURE THAT THIS PRINT IS 1 TO 1 SCALE.



Document p/n:
250-0682-003
Page 1 of 1

THIS IS A PRECISION CUT-OUT TEMPLATE.
DO NOT SCALE OR ADJUST!

MEASURE WITH A RULER.



ALTINEX, INC. IS NOT RESPONSIBLE FOR ANY DAMAGE TO A TABLE OR DESK.



ALTINEX, INC. MODEL NUMBERS:

TNP500	TNP500C	PNP400	PNP400C
TNP510	TNP510C	PNP402	PNP402C
TNP512	TNP512C	CNK200	CNK200C
CNK240	CNK240C		

1. STOP

2. MEASURE

3. CUT