



AVF's **PLM1022** is an LCD monitor mount designed for podium and lectern surfaces. It provides the capability to mount and position LCD screens at a comfortable viewing angle for standing presenters.

**Standard Features**

- 75mm and 100mm standard mounting plate
- Compatible with most 10" - 22" LCD monitors
- Adjustable screen angle
- 2 height positions to accommodate various screen sizes and angles
- Requires wood (MDF) surface for installation

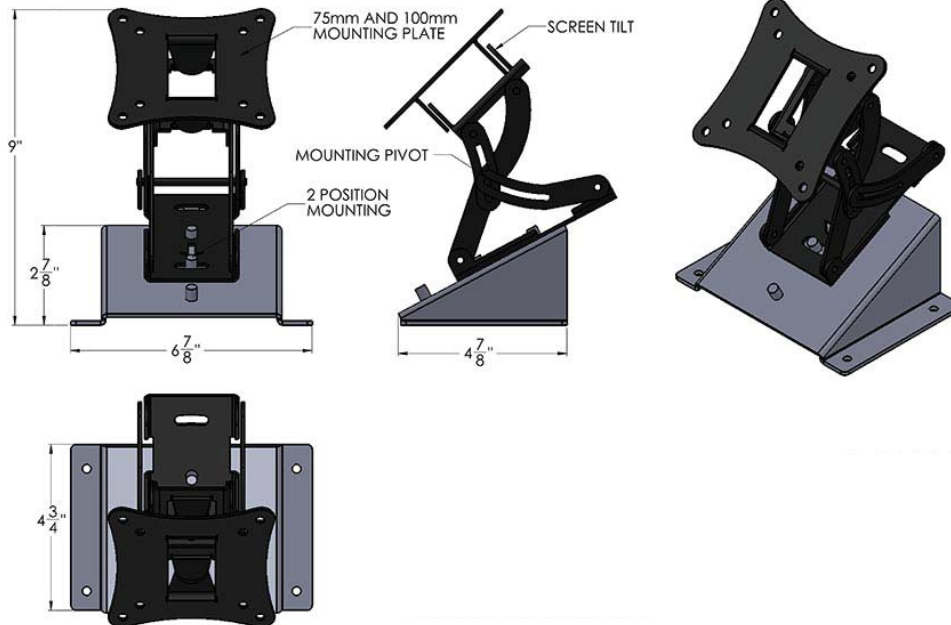


PLM1022 installed on an AVF podium  
(Sold separately)

**Specifications**

**Model:** PLM1022  
**Width:** 7"  
**Depth:** 5"  
**Height:** 6"

**Color**



The information contained in this drawing is the sole property of AVF Audio Visual Furniture International. Any reproduction in part or as a whole without the written permission of Audio Visual Furniture International is prohibited. AVF can build or modify stock configurations to suit customer specifications. Please contact us to discuss how this service can help meet your needs. Some quantity restrictions may apply. Specification subject to change without notice. Computers, cameras, monitors, etc. are shown to illustrate product usage and are not included unless otherwise noted.