

A

B

C

D

BYRNE

NODE

1
2
3
4
5
6
7
8

1
2
3
4
5
6
7
8

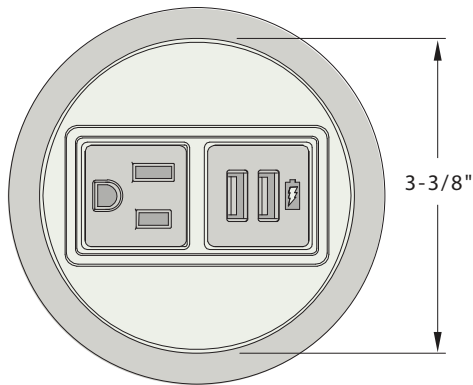


A

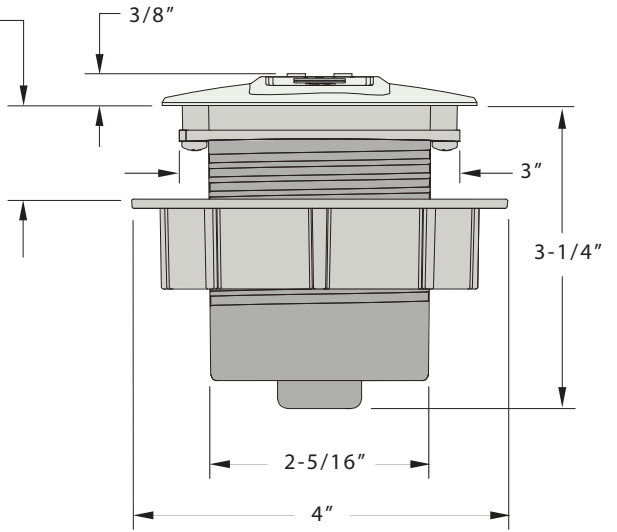
B

C

D



Maximum Worksurface
Thickness 1.5"



« »

{Node} Every workspace deserves a little sparkle. The easy elegance of Node's clean, flush mount design is sure to complement a wide range of aesthetics, while its stylish plated or powder coat finish accents a robust, die-cast construction. Refined but versatile, Node offers a range of power with Spill-Proof Technology outlets, data and USB configurations - including a 2 amp USB duplex, ideal for charging two tablets and other USB-friendly electronics. Node is UL approval and is available in a 15 amp cord. To learn more, visit us at www.byrne-electrical.com.

Finish Options

PLATED



Dark Bronze



Nickel

POWDERCOAT



Midnight



Parchment



Silver

Byrne



ELECTRICAL
SPECIALISTS

320 Byrne Industrial Drive • Rockford, Michigan 49341

616 866-3461 • Fax 616 866-3449

www.byrne-electrical.com