

A

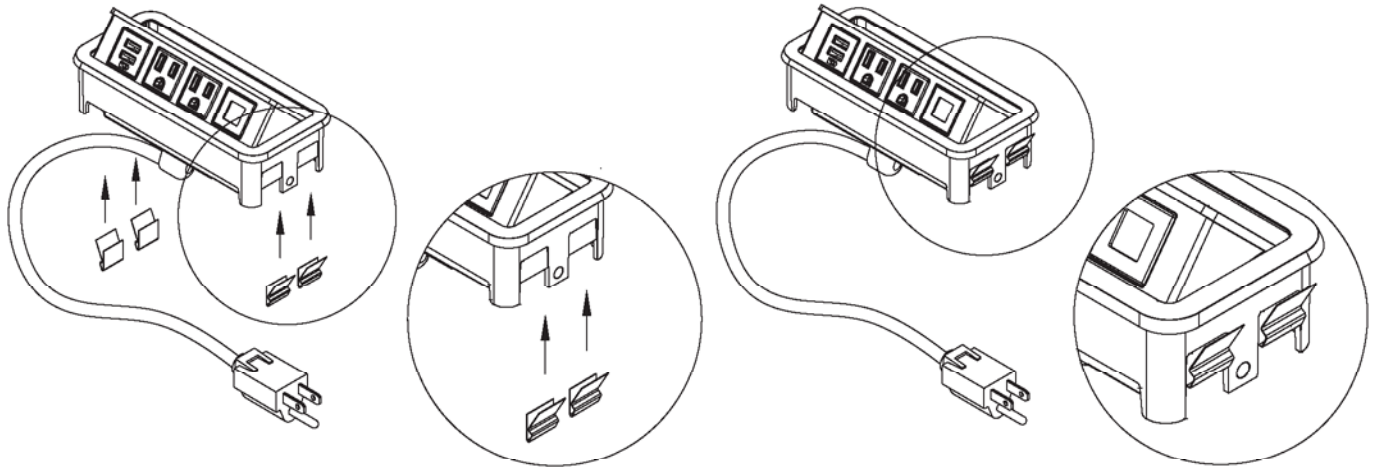
B

C

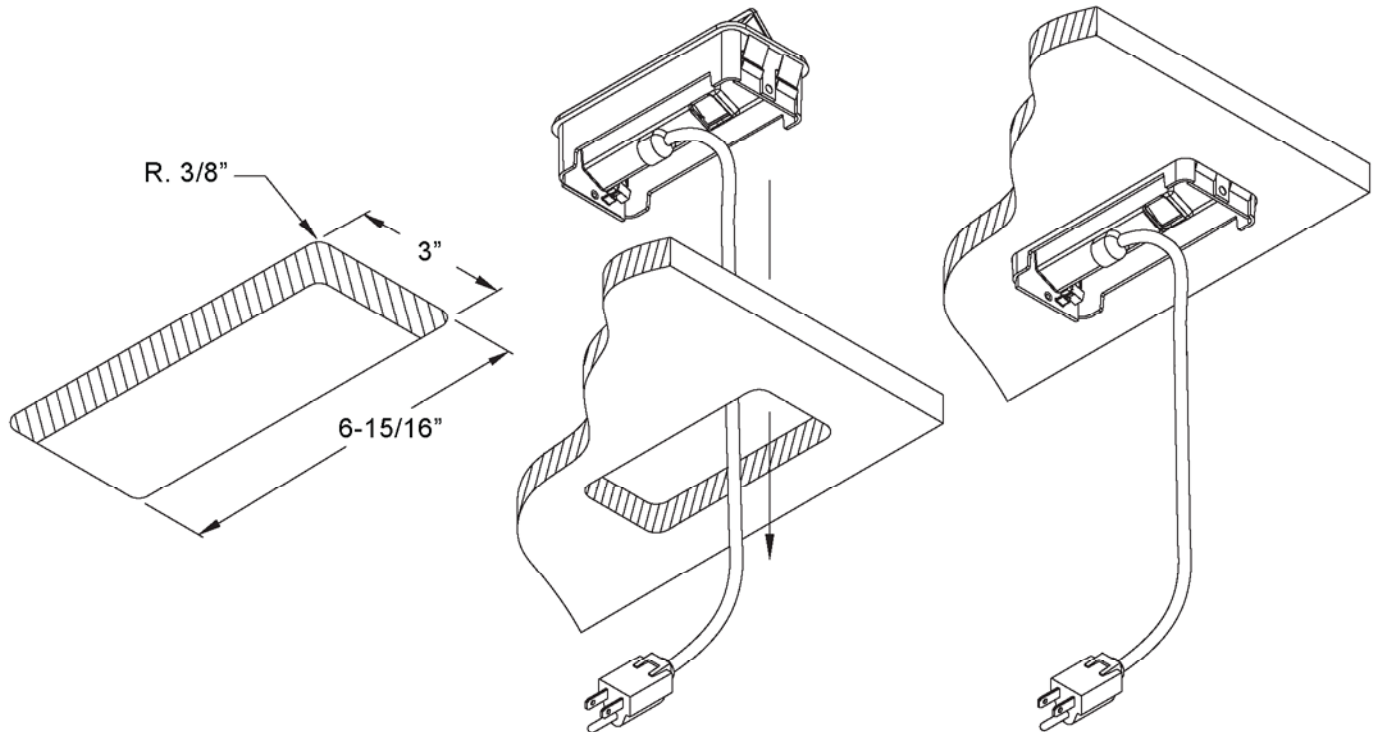
D

BYRNE**INSTALLATION INSTRUCTIONS FOR NACRE**

Install mounting clips on ends of unit.



Determine placement of Nacre. Cut out hole according to below dimensions.



A

B

C

D