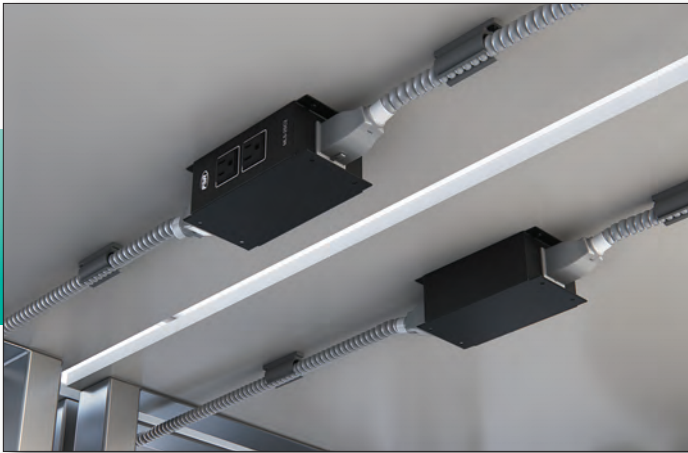


# MLS - Power Distribution Modular Linx System



## DESCRIPTION

FSR's Modular Linx System elegantly distributes two 20 amp AC power circuits creating a relocatable & reusable modular power system. This UL-listed system can be used to distribute power to a maximum of 20 AC outlets on each single circuit. The system utilizes a patented locking connector designed for rugged use in a small form factor. The MLS installs under the work surface with a power distribution box at each point of use. The cabling can also be used in open walls & ceilings. Tee cables can also be used to split the system at any point in its path.

Our Smart-Way Stick & Modular Linx System have teamed up to provide a quick way to extend the platform's power distribution along the floor to another work surface. The addition of the Smart-Way MLS Stick gives designers, architects, users, & engineers the flexibility to rapidly reconfigure & move power anywhere in the room. The Stick is available in 6-foot lengths & a choice of slate or aluminum to blend into any décor.

### IN-FEED OPTIONS

The power for the system can originate from the floor via a Smart-Way Furniture Feed Device Box or Poke-Thru, from a pluggable single wall gang plate or directly hard wired.



MLS-SW-2SO  
Bracket Only



MLS-2SC-4 or -6



MLS-WP-2SO

### DISTRIBUTION BOX

The MLS-2AC2 power distribution box has a male and female connector to allow daisy-chaining. It provides two 20 amp NEMA 5-20R outlets, each connected to a separate circuit. Two small flanges to allow mounting so power can flow in either direction.



MLS-2AC2

# FSR

Power Products Group



### CONNECTING CABLES

The MLS-2AC2 units are inter-connected with connecting cables MLS-2CC(x), where the x designates length in feet. Stock cable lengths are 2, 3, 4, 5, 6 & 8 feet. Connecting cables can be strung together to make longer cables or create a separation point.



MLS-2CC

### TEE CABLE

The MLS-2TC can be inserted between any connecting cables or between a connecting cable & the input or the output of any distribution box.



MLS-2TC

## FEATURES

- Designed for 2 to 40 AC Outlets
- Installed as Single or as a Dual Circuit
- UL Listed - CSA Certified
- Robust terminal design exceeds 470Amp for 4 seconds
- Acceptable for interrupting current (make or break) under full load
- Connectors are fully encapsulated for reliability and safety
- Cabling is suitable for environmental air handling spaces (plenums)
- Eco-Friendly, Low Smoke, V0 rated, RoHS-compliant materials
- MLS Stick, available in 6-foot lengths, swiftly extends the platform's power distribution along the floor to another work surface

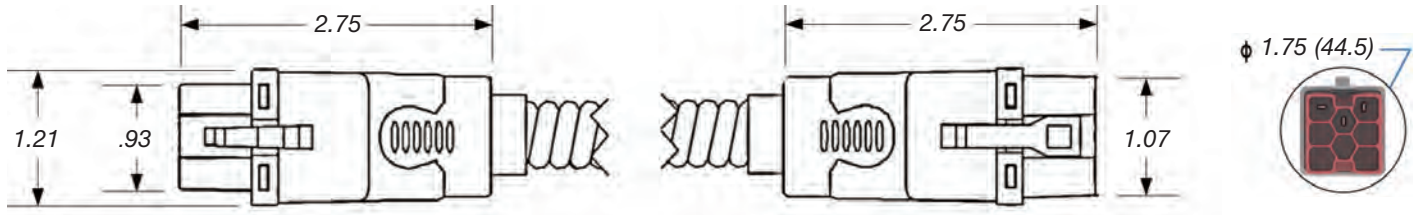
UL 183 - (QQVX) and CSA Certified to be in compliance with CSA 22.2 No. 203-1



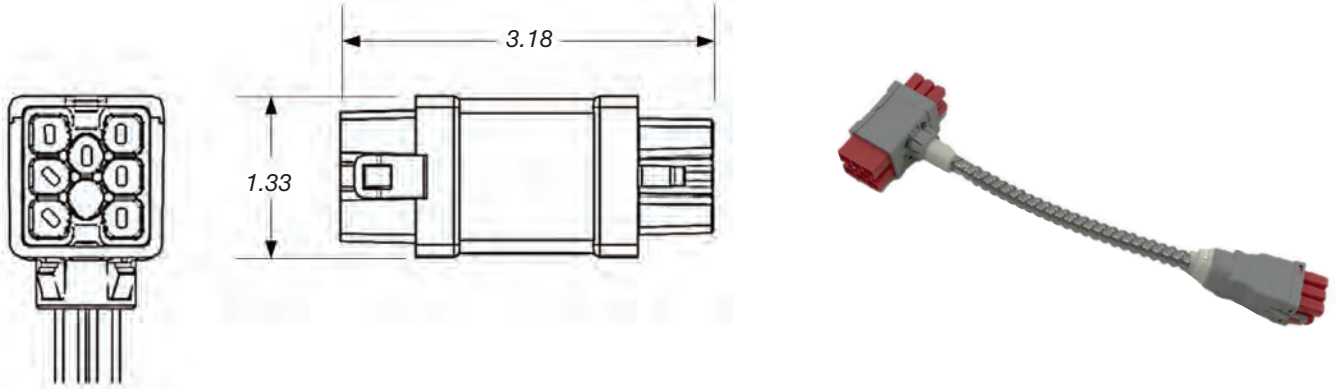
## FSR Inc.

244 Bergen Boulevard, Woodland Park, NJ 07424  
Phone: 973.998.2300 · Fax: 973.785.4207  
Toll Free: 1.800.332.FSR1  
Web: www.fsrinc.com · E-mail: sales@fsrinc.com

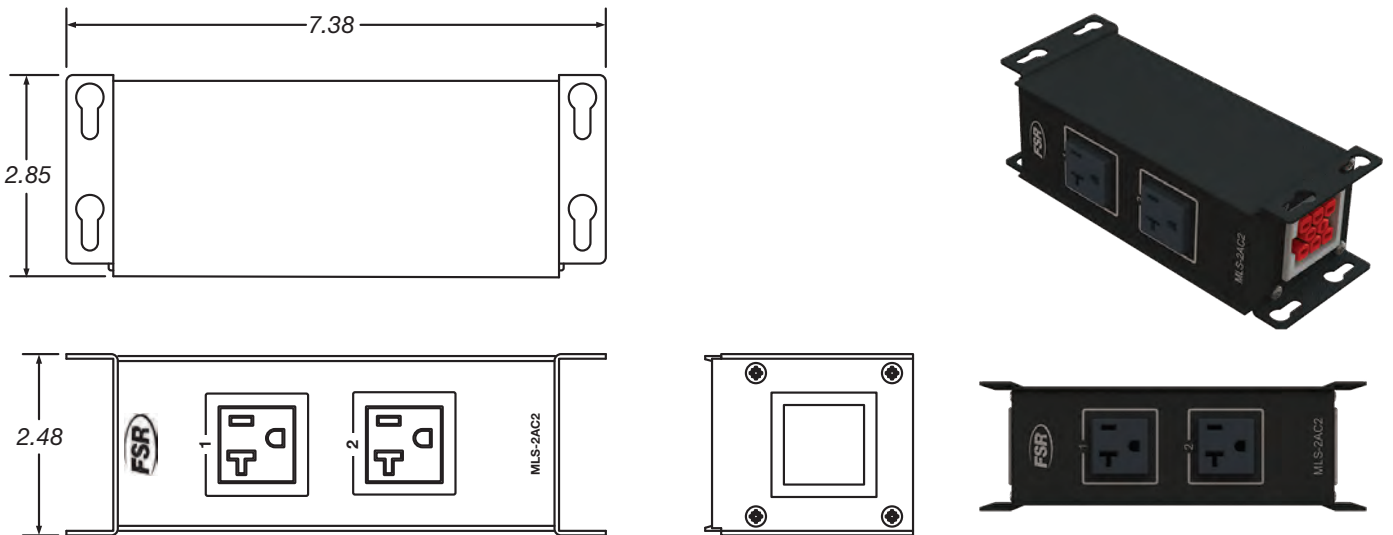
## CONNECTING CABLES



## TEE CABLE



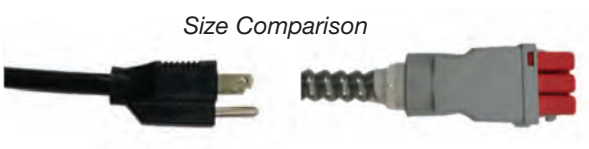
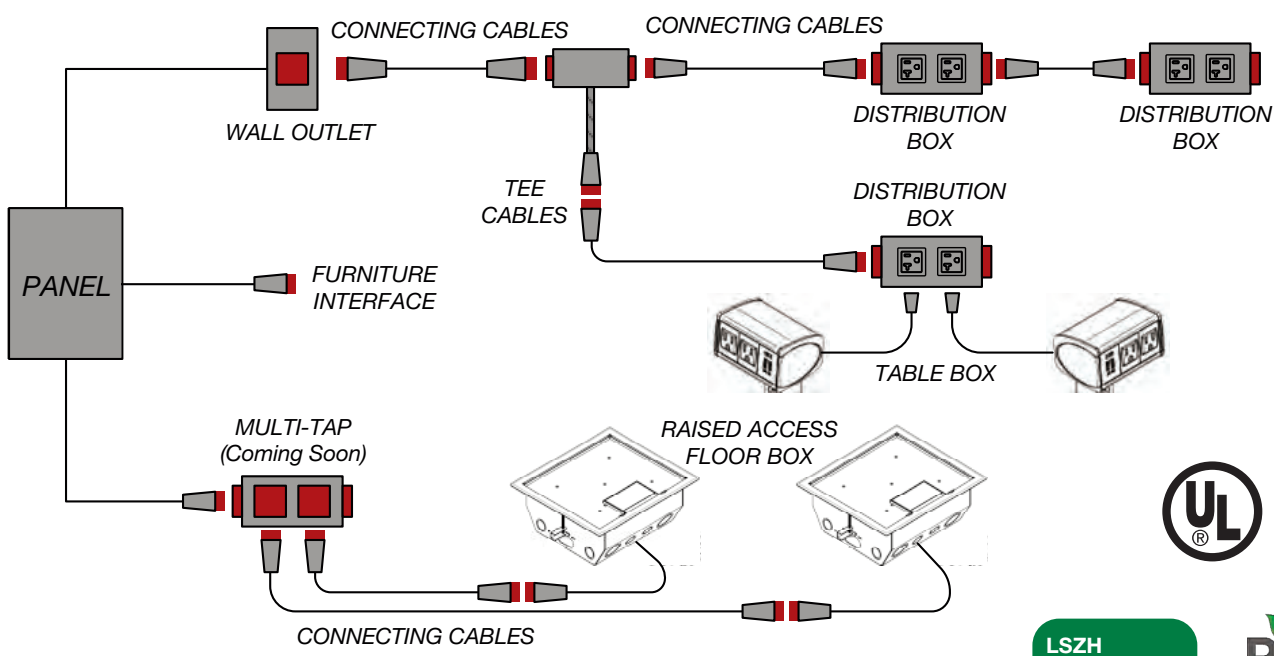
## DISTRIBUTION BOX



# MLS STICK



# SYSTEM TOPOLOGY



## ORDERING INFORMATION

Item #	Model #	Description
18485	MLS-2SC-4	Starter Cable 4' - Female Connector to Stripped Ends
18486	MLS-2SC-6	Starter Cable 6' - Female Connector to Stripped Ends
18487	MLS-WP-2SO	1-Gang Plate with Female Connector to Stripped Ends
18488	MLS-SW-2SO	1 Female Connector in-feed plate requires SW-DB-1HWP1D
18216	SW-DB-1HWP1D	Smart-Way Device Box 2 Gang 1 Hardwired Power 1 Data
18489	MLS-2CC2	Connecting Cable 2' - Male to Female Connectors
18490	MLS-2CC3	Connecting Cable 3' - Male to Female Connectors
18491	MLS-2CC4	Connecting Cable 4' - Male to Female Connectors
18492	MLS-2CC5	Connecting Cable 5' - Male to Female Connectors
18493	MLS-2CC6	Connecting Cable 6' - Male to Female Connectors
18494	MLS-2CC8	Connecting Cable 8' - Male to Female Connectors
18495	MLS-2TC	Tee Cable - Female to Male/Female Connectors
18496	MLS-2AC2	20A Power Distribution Box - 2 AC Rec, 1 Male, 1 Female Connector
18017	WM-UTC	Under Table Channel
18569	SWT72-MLS-ALM	6' prewired 1 MLS PI to 2 MLS SO, Aluminum
18570	SWT72-MLS-SLT	6' prewired 1 MLS PI to 2 MLS SO, Slate

The MLS can be used with our under table channels for supporting cable connections.



18017 WM-UTC



Specifications are subject to change without notice.  
© 2021 FSR, Inc. All Rights Reserved.



244 Bergen Boulevard, Woodland Park, NJ 07424  
Phone: 973.998.2300 · Fax: 973.785.4207  
Web: [www.fsrinc.com](http://www.fsrinc.com) · E-mail: [sales@fsrinc.com](mailto:sales@fsrinc.com)

