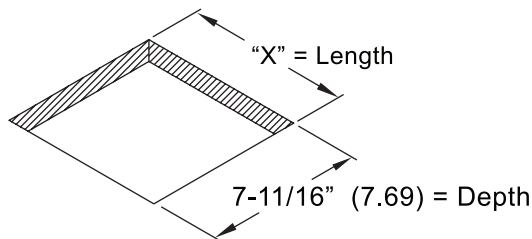


# BYRNE

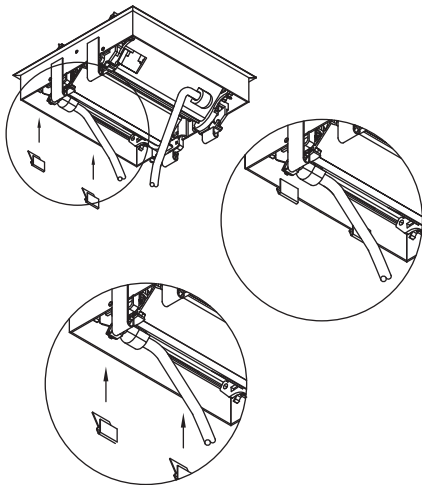
## INSTALLATION INSTRUCTIONS FOR M2X

1. Install data jacks as described in the installation instructions provided with the data adapters, BE01421
2. Determine and make appropriate cut out on work surface; see chart for model cut out requirements.  
**When managing conduit and cabling exiting the unit, ensure there is adequate slack to allow unit to open properly.**

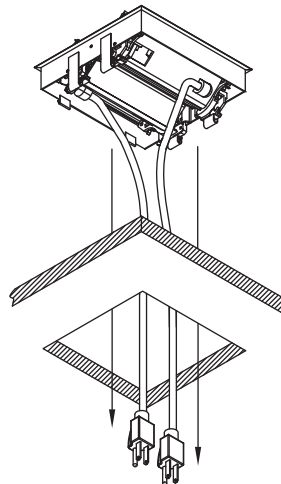


Part Number	# Ports per Side	"X" Dim.
BE01820-M2X	2 ports	5" (5.00)
BE01820-M2X	3 ports	6-1/2" (6.50)
BE01820-M2X	4 ports	8" (8.00)
BE01820-M2X	5 ports	9-1/2" (9.50)
BE01820-M2X	6 ports	11" (11.00)
BE01820-M2X	7 ports	12-1/2" (12.50)
BE01820-M2X	8 ports	14" (14.00)

3. Install stability clips as shown:



4. Insert unit into cut out.



5. Snap cord clips onto unit cord and place exposed double sided tape onto underside of work surface, close to unit. This allows for cord slack when the unit is being opened and closed.

