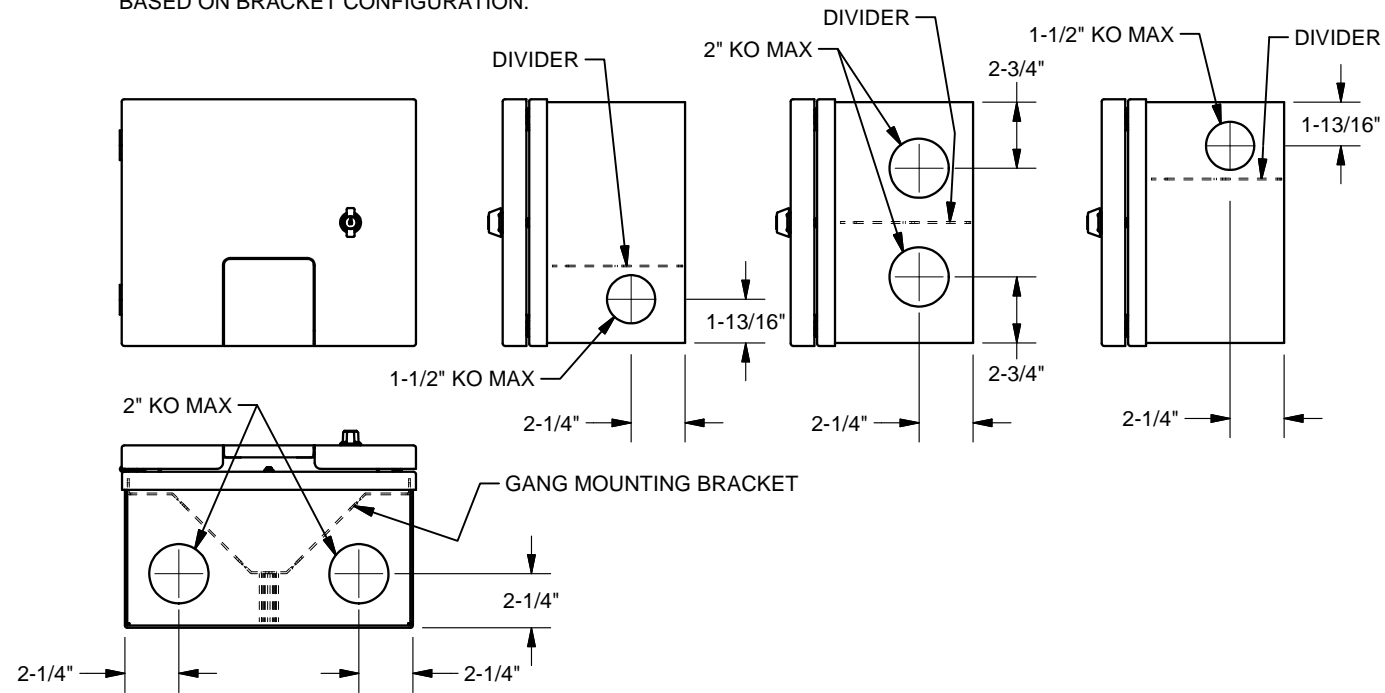


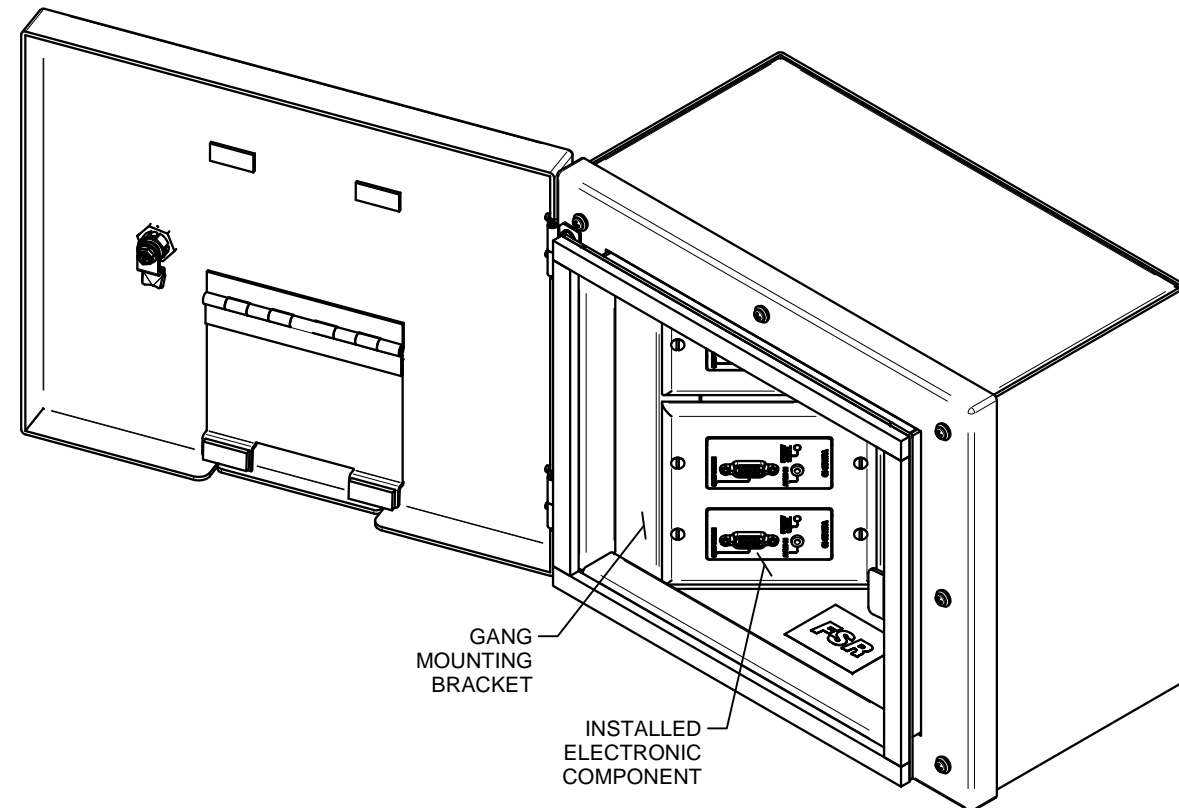
## RECOMMENDED CONDUIT KNOCKOUT LOCATIONS

AVOID ROUTING CONDUIT INTO BRACKETS AND DIVIDERS. DIVIDER LOCATION VARIES BASED ON BRACKET CONFIGURATION.



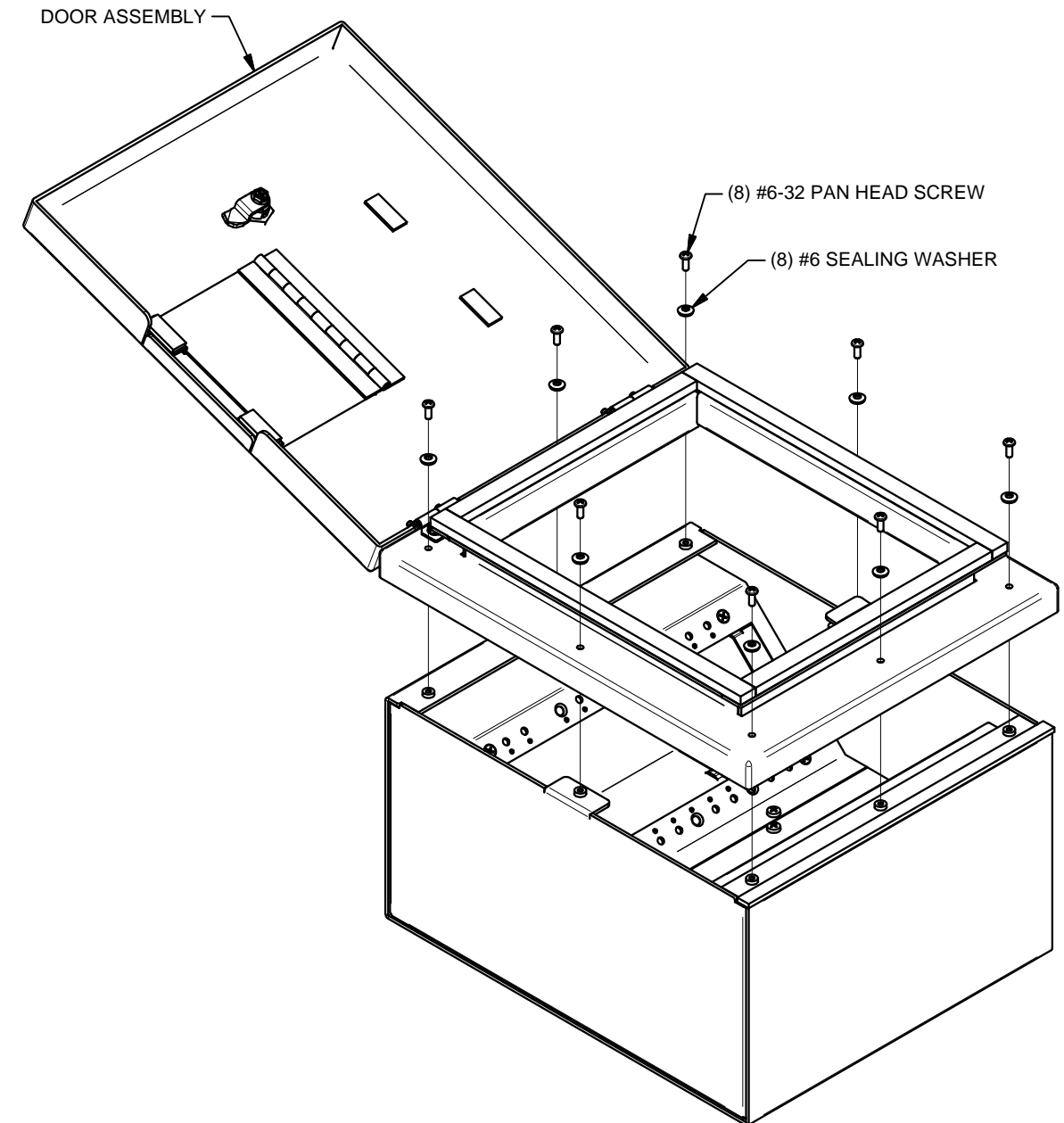
## INSTALLING ELECTRONIC COMPONENTS

PULL WIRES AND CABLES TO BOX AS NECESSARY (REMOVAL OF GANG MOUNTING BRACKETS MAY BE REQUIRED). TERMINATE WIRES AND CABLES TO ELECTRONIC COMPONENTS, AND INSTALL ELECTRONIC COMPONENTS ONTO GANG MOUNTING BRACKETS. REINSTALL DOOR ASSEMBLY.



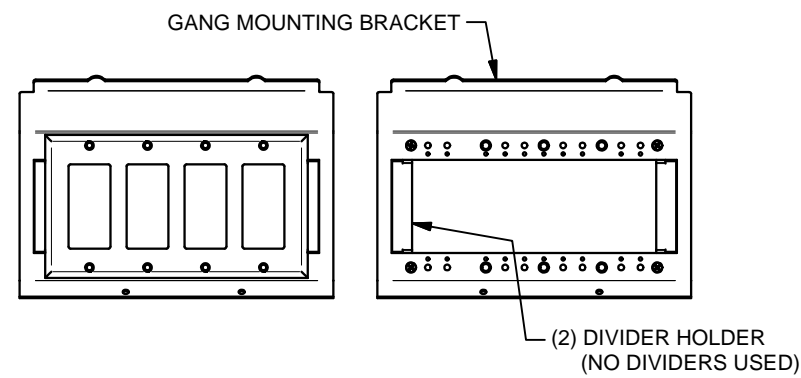
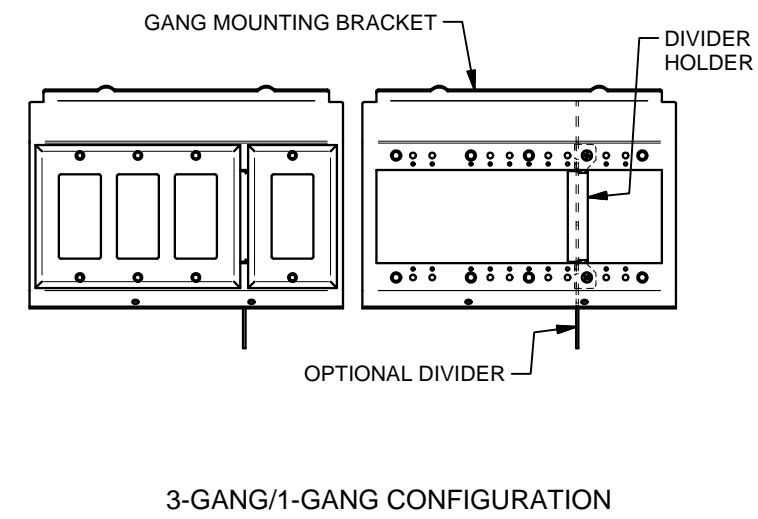
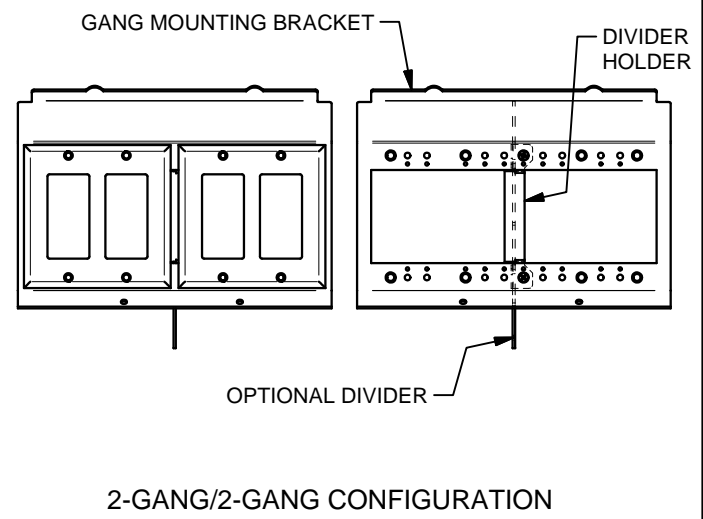
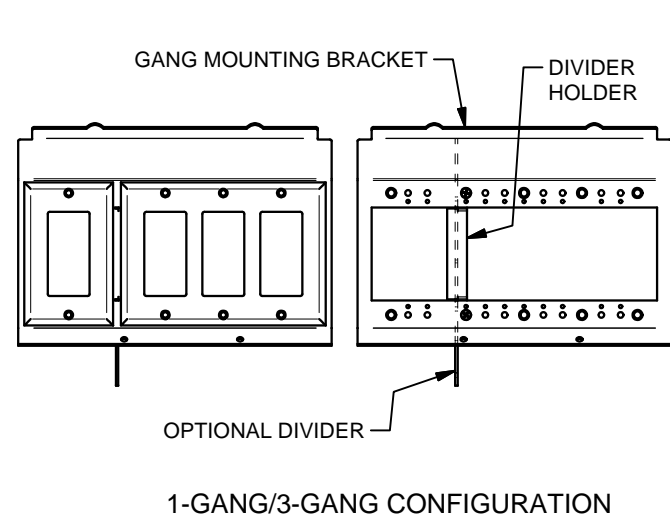
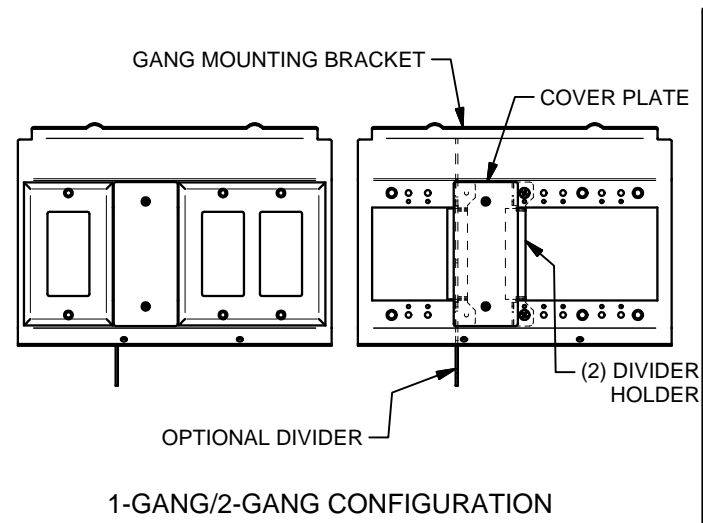
## REMOVE DOOR ASSEMBLY

DOOR MUST BE REMOVED TO CONFIGURE GANG MOUNTING BRACKETS. REMOVE DOOR AND RETAIN SCREWS AND WASHERS FOR REASSEMBLY AFTER CONFIGURING BRACKETS.



## GANG MOUNTING BRACKET CONFIGURATION

PER CUSTOMER SPECIFICATIONS, CONFIGURE GANG MOUNTING BRACKETS AS SHOWN BELOW AND REASSEMBLE INTO BOX (DECORA WALL PLATES SHOWN AS REFERENCE AND NOT INCLUDED).



4-GANG CONFIGURATION

**BOTH GANG MOUNTING BRACKETS ARE IDENTICAL, AS IS THEIR CONFIGURATION CAPABILITY**

## GANG DIVIDER ASSEMBLY

