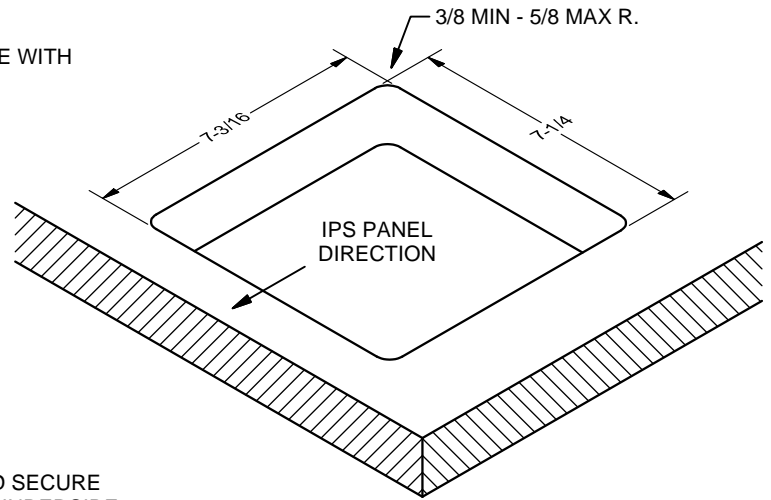
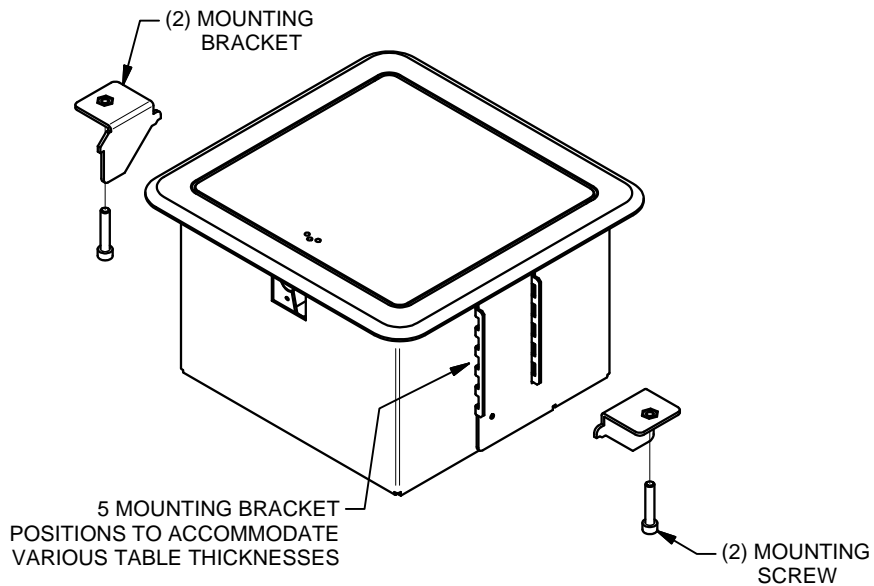
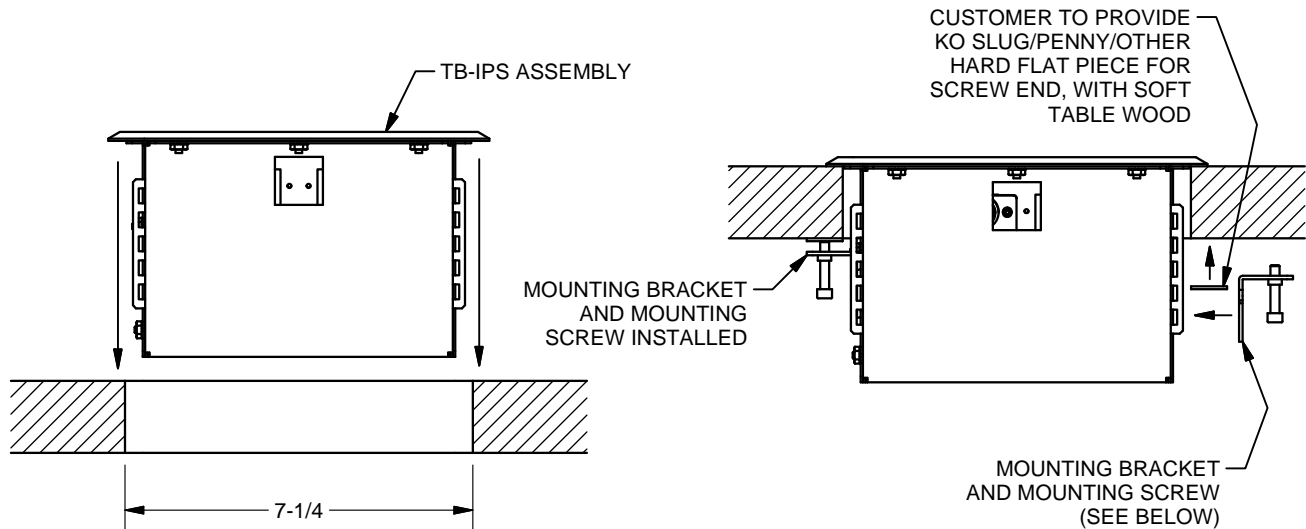


1. DETERMINE LOCATION AND CUT 7-1/4 x 7-3/16 HOLE WITH 3/8 MIN - 5/8 MAX RADIUS CORNERS IN TABLE TOP.



2. INSTALL MOUNTING BRACKETS TO ASSEMBLY AND SECURE TO TABLE BY SCREWING MOUNTING SCREWS TO UNDERSIDE OF TABLE.



3. INSTALL IPS PANELS (SOLD SEPERATELY) AND MAKE ELECTRICAL CONNECTIONS AS REQUIRED.

