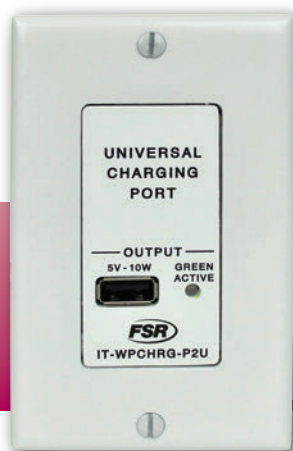


PoE to USB Chargers



IT-WPCHRG-P2U



IT-USB-CHRG



IT-CHRG-P2U



IPS-D717S



SS-USB-CHRG

**Patent Pending
Charging Solution**

Using FSR's PoE to USB chargers, you can power and charge USB devices such as an iPad® from a POE-Ethernet drop without the need for AC line power. The IT-CHRG-P2U cube style model can be mounted in a 2-gang wall box behind an FSR IPD wall mount or other wall mounted USB devices. Both units emulate the Apple™ charging circuit to avoid annoying pop-ups. The IT-WPCHRG-P2U Decora style models fit directly into a standard gang box and are available with white, black or ivory cover plates.

The PoE to USB chargers will operate and charge the iPad®, iPod®, iPhone® and most other USB powered devices. The output side is rated at 5VDC@2A/10W and both models derive ample power from a standard POE network connection.



FSR's iPad
Wall Enclosure

FSR

Power Products Group

FEATURES

- Powers/charges USB devices without an AC line
- Compatible with USB 2.0 and power switch requirements
- Universal USB charger
- Power "ON" indicator
- A fault indicator monitors excessive temperature, over-current and short circuit events
- IEEE 802.3at Type1 Class 0
IEEE 802.3af

ORDERING INFORMATION

IT-CHRG-P2U

PoE to USB Universal, Charger Cube

IT-WPCHRG-P2U- (BLK, WHT)

POE to USB Universal, Charger Wallplate

IT-USB-CHRG- (BLK, WHT)

Wall Plate DC to USB charger
Charger Wallplate
Available in Black White or Ivory

IT-USB-CHRG- (BLK, WHT)

Wall Plate DC to USB charger
Charger Wallplate
Available in Black White

IPS-D717S- (BLK, WHT, IV)

PS DC to USB charger
Available in Black White or Ivory

SS-USB-CHRG (BLK, WHT)

Keystone DC to USB charger
Available in Black White

FSR Inc.

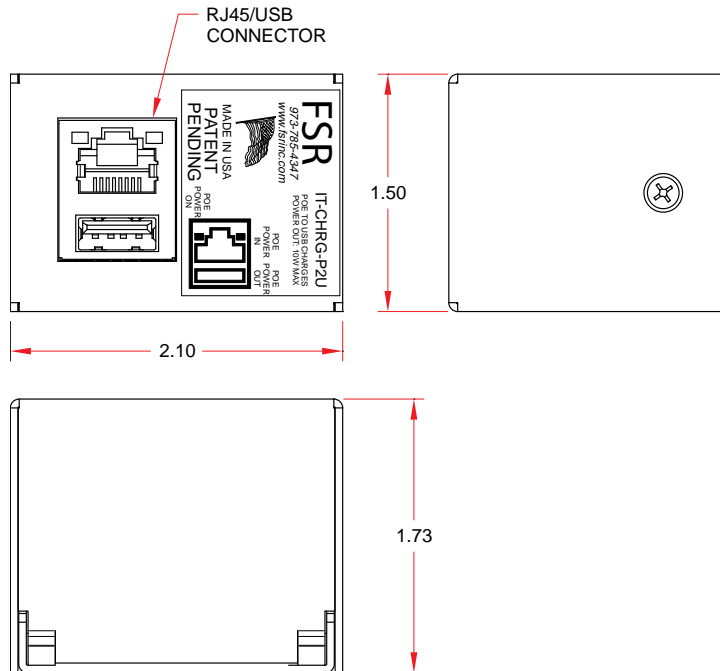
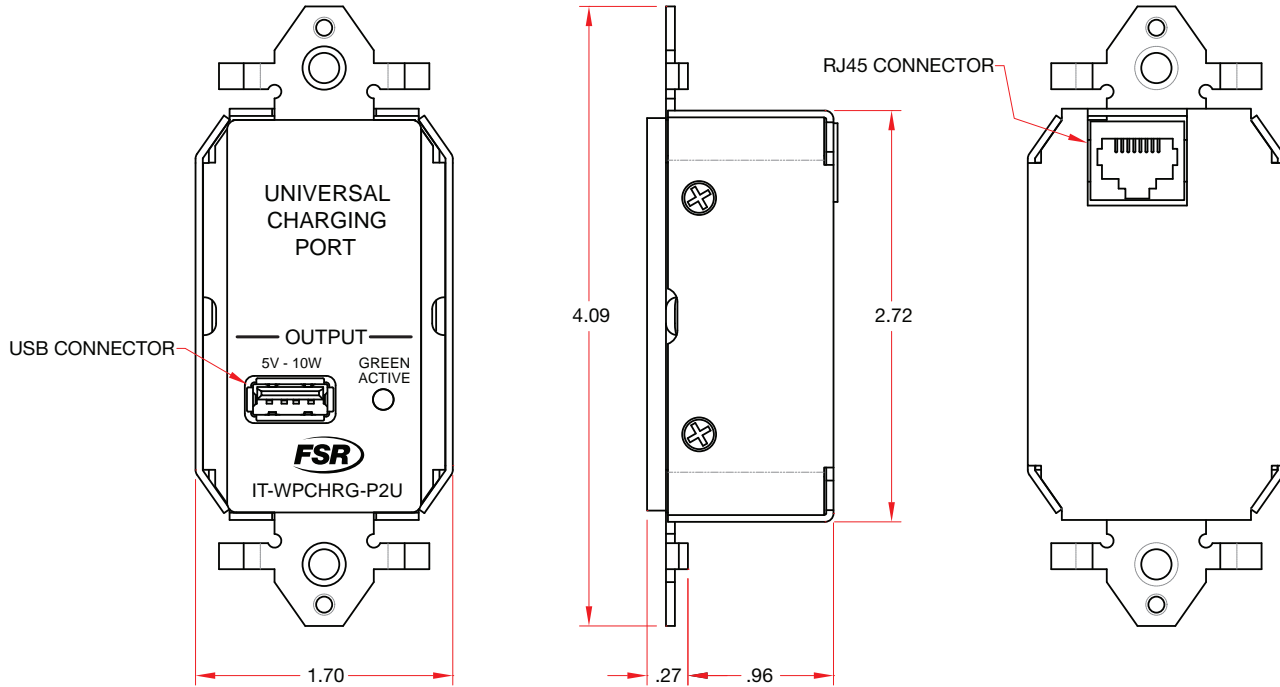
244 Bergen Boulevard, Woodland Park, NJ 07424

Phone: 973.785.4347 · Fax: 973.785.4207

Order Desk: 1-800-332-FSR1

Web: www.fsrinc.com · E-mail: sales@fsrinc.com LIT1407

DIMENSIONS



Specifications are subject to change without notice.



244 Bergen Boulevard, Woodland Park, NJ 07424
 Phone: 973.785.4347 · Fax: 973.785.4207
 Web: www.fsrinc.com · E-mail: sales@fsrinc.com