

DOUBLE WIDE SIZE
BACK ACCESS COVER WITH
ISOLATING DIVIDER.

ISO24BAC



MATES WITH
VERTICAL SLANT
STYLE POCKET



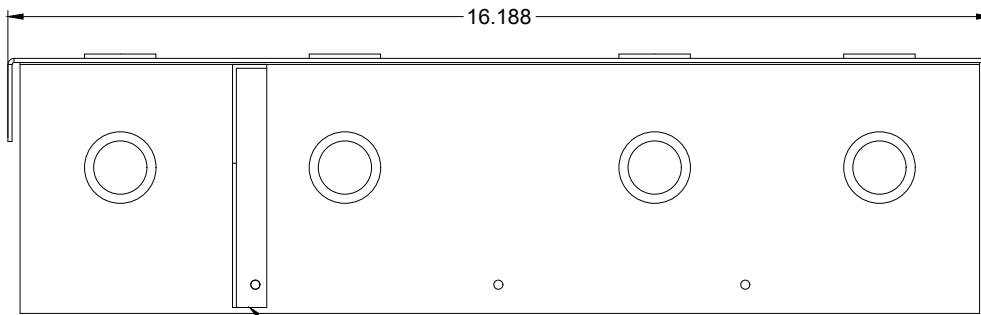
As part of the Double Wide Stage Pocket System



PROUDLY MADE
IN THE U.S.A.

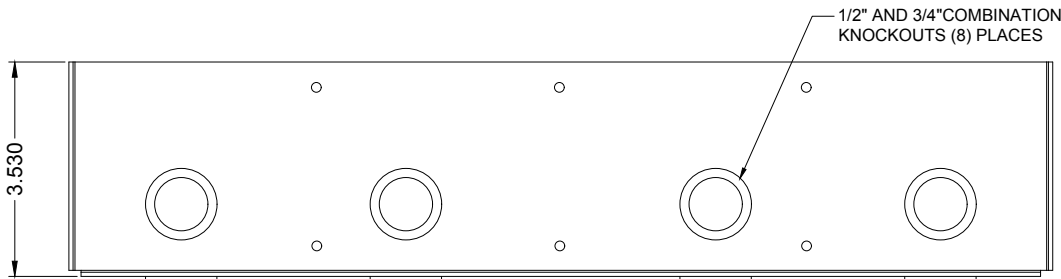
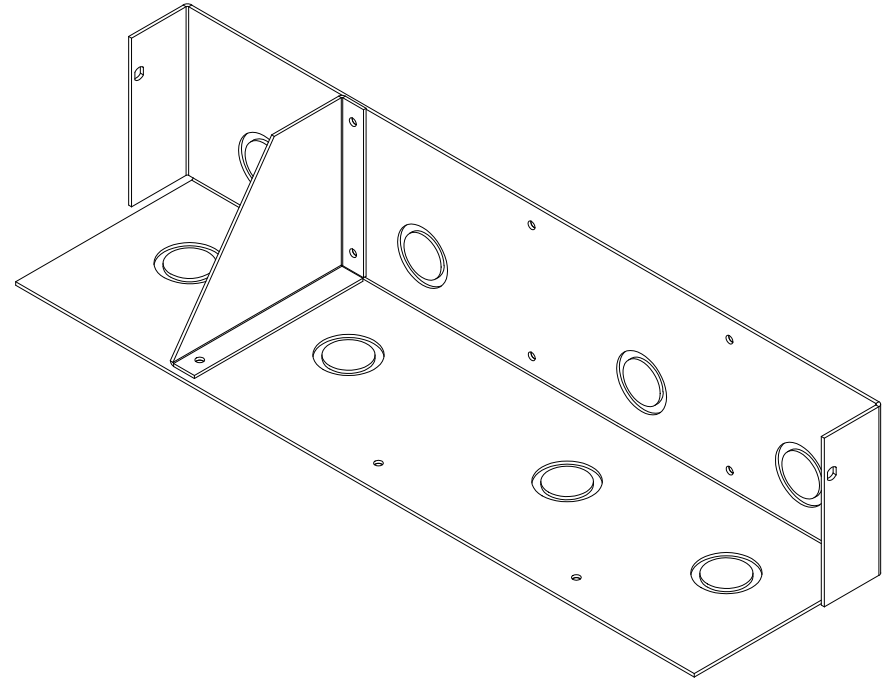


ACE BACKSTAGE CO
Stage Pocket Systems **Connectivity**
www.acebackstage.com



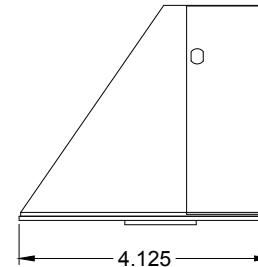
TOP VIEW

A/C ISOLATING DIVIDER
INSTALLED IN 1 OF 3 POSITIONS.
16ga GALVANNEALED STEEL



BACK VIEW

1/2" AND 3/4" COMBINATION
KNOCKOUTS (8) PLACES



SIDE VIEW

REVISION: 11/2019

FINISH :

COMPATIBLE POCKETS:

DESCRIPTION:

ALL DIMENSIONS ARE FOR REFERENCE
ONLY. ALL DIMENSIONS ARE IN INCHES

- Electro Deposited Clear Zinc
ASTM Certified

Any Double Wide Size Stage Pocket:
124/224/324

Back Access Cover for use when installing high and low voltage in
the same Double Wide Size Stage Pocket.
Made from 14ga CRS.

REV
1
SHEET
1 OF 1