

FULL SIZE BACK ACCESS COVER  
WITH ISOLATING DIVIDER.

ISO22BAC



MATES WITH  
VERTICAL SLANT  
STYLE POCKET



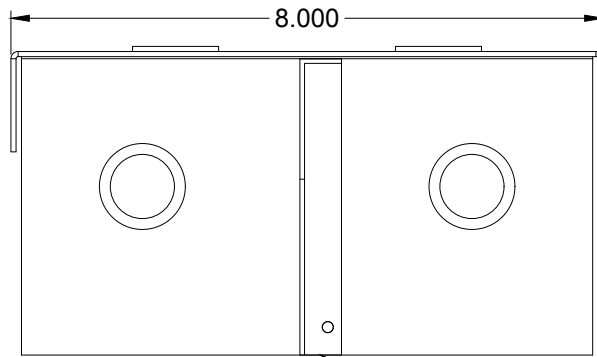
As part of the Full Stage Pocket System



PROUDLY MADE  
IN THE U.S.A.

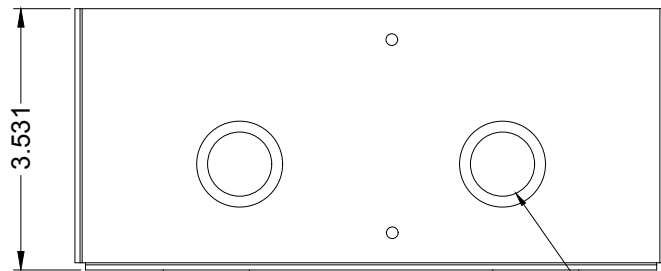
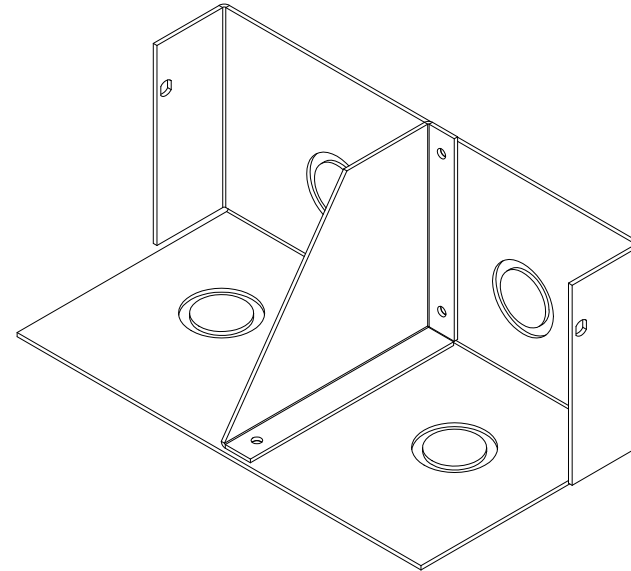


**ACE BACKSTAGE CO**  
Stage Pocket Systems **Connectivity**  
www.acebackstage.com



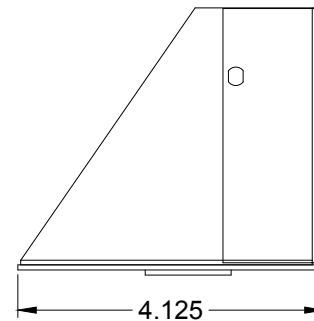
TOP VIEW

A/C ISOLATING DIVIDER  
16ga GALVANNEALED STEEL



BACK VIEW

1/2" AND 3/4" COMBINATION  
KNOCKOUTS (4) PLACES



4.125

REVISION: 11/2019

FINISH :

- Electro Deposited Clear Zinc  
ASTM Certified

COMPATIBLE POCKETS:

Any Full Size Stage Pocket: 122/222/322

DESCRIPTION:

Back Access Cover for use when installing high and low voltage in  
the same Full Size Stage Pocket.  
Made from 14ga CRS.

REV  
1  
SHEET  
1 OF 1