

DOUBLE WIDE SIZE BACK BOX
WITH ISOLATING DIVIDER

ISO104BBXW



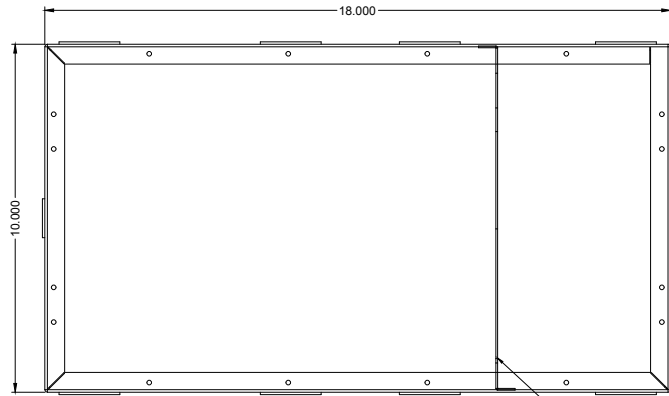
MATES WITH
VERTICAL SLANT
STYLE POCKET



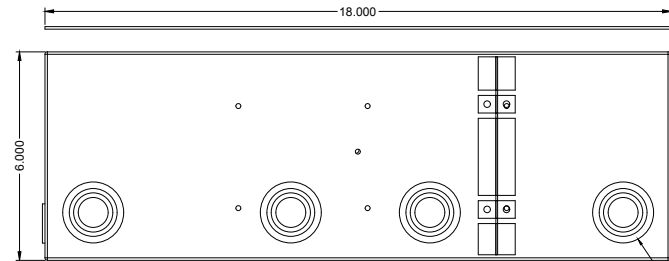
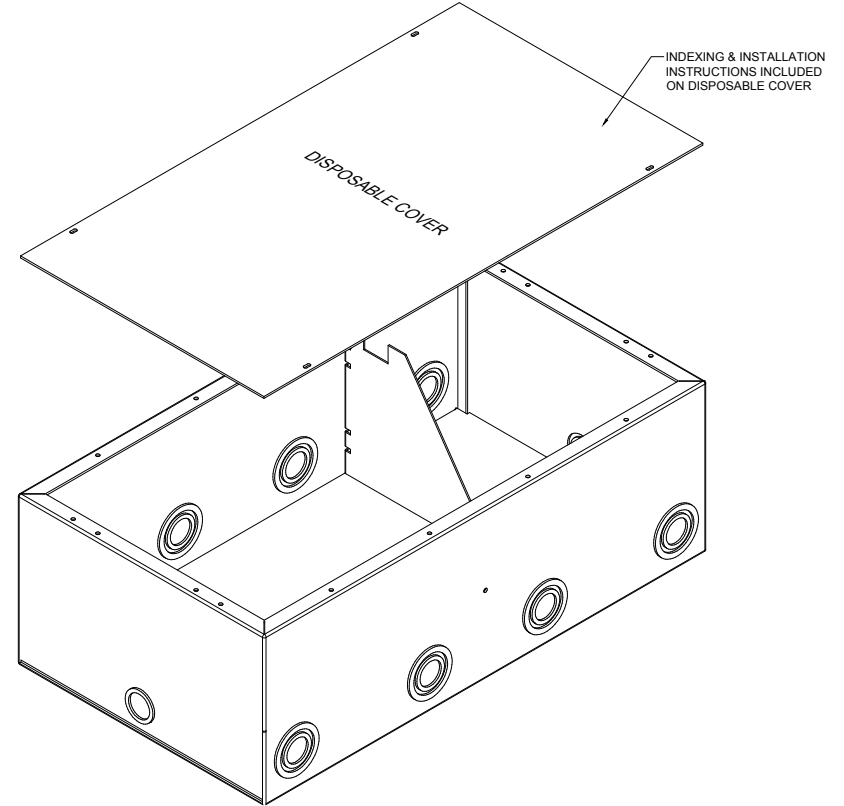
PROUDLY MADE
IN THE U.S.A.



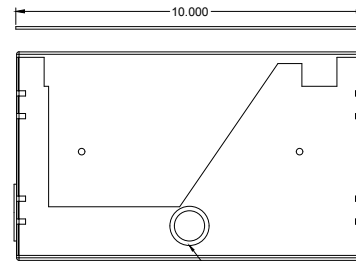
ACE BACKSTAGE CO
Stage Pocket Systems **Connectivity**
www.acebackstage.com



A/C ISOLATING DIVIDER
INSTALLED IN 1 OF 3 POSITIONS.
16ga GALVANNEALED STEEL



1/2", 3/4", 1", AND 1-1/4" COMBINATION
KNOCKOUTS (4) PLACES TYPICAL ON
OPPOSING SIDES



1/2" AND 3/4" COMBINATION
KNOCKOUTS (1) PLACE TYPICAL ON
OPPOSING SIDES

REVISION: 11/2019

FINISH :

- ASTM Certified Electro Deposited Clear Zinc
- 1/16" Thick Polyurethane Jacket for
moisture seal

COMPATIBLE POCKETS:

Any Double Wide Size Stage Pocket:
124/224/324

DESCRIPTION:

Polyurethane encapsulated Rough In Box for use with Double Wide Size Stage Pockets. Provides extra protection from incursion of moisture and water by sealing seams, knock-outs, and holes. Includes Isolation Bracket for use when installing high and low voltage in the same Double Wide Size Stage Pocket. Made from 14ga CRS.

REV
1
SHEET
1 OF 1