

DOUBLE WIDE SIZE
BACK BOX WITH
ISOLATING DIVIDER

ISO1048BBXW



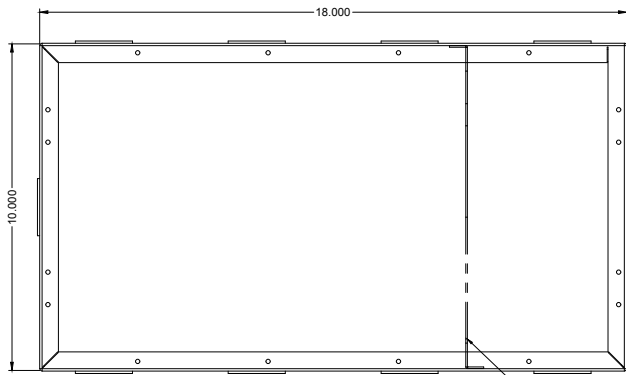
MATES WITH
VERTICAL SLANT
STYLE POCKET



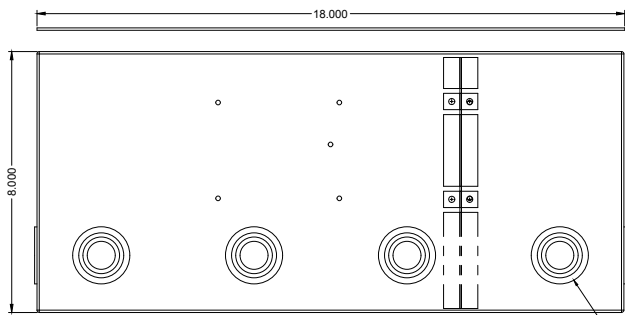
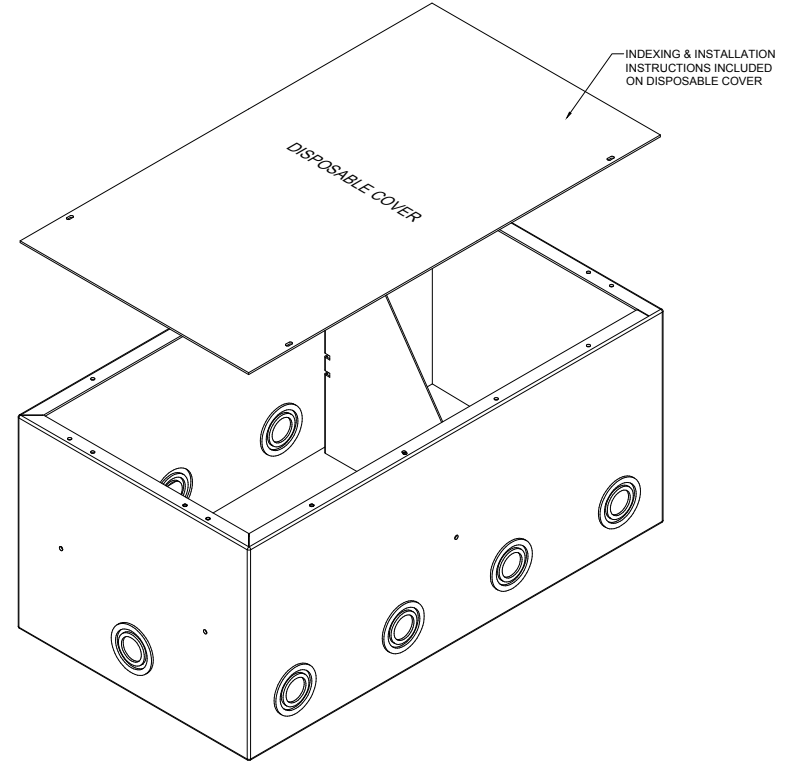
PROUDLY MADE
IN THE U.S.A.



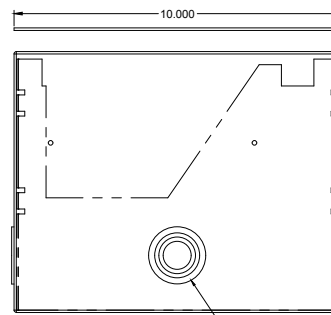
ACE BACKSTAGE CO
Stage Pocket Systems **Connectivity**
www.acebackstage.com



A/C ISOLATING DIVIDER
INSTALLED IN 1 OF 3 POSITIONS.
16ga GALVANNEALED STEEL



1/2", 3/4", 1", AND 1-1/4" COMBINATION
KNOCKOUTS (4) PLACES TYPICAL ON
OPPOSING SIDES



1/2", 3/4", 1", AND 1-1/4" COMBINATION
KNOCKOUTS (1) PLACE TYPICAL ON
OPPOSING SIDES

REVISION: 11/2019

FINISH :

- ASTM Certified Electro Deposited Clear Zinc
- 1/16" Thick Polyurethane Jacket for moisture seal

COMPATIBLE POCKETS:

Any Double Wide Size Stage Pocket:
124/224/324

DESCRIPTION:

Polyurethane encapsulated Rough in Box with Isolation Bracket for use when installing high and low voltage in the same Double Wide Size Stage Pocket. Provides extra protection from incursion of moisture and water by sealing seams, knock-outs, and holes. Provides 3.5" of junction clearance underneath the installed Pocket. Made from 14ga CRS.

REV
1

SHEET
1 OF 1

ALL DIMENSIONS ARE FOR REFERENCE
ONLY. ALL DIMENSIONS ARE IN INCHES