

# IP-CONSOLE-GH

PoE IP Console with Gooseneck Microphone and Handset



## Features

### Network Features

- Dynamic or Static IP Address
- IEEE 802.3 10/100/1000 Base-T Ethernet
- IEEE 802.3af Compliant
- Dual Bridged Port for PC Bypass
- Built-in 2.4G / 5G Wi-Fi
- IPv6 compatible

### Audio Codec Support

- G.711 u-law / a-law (16 kbit/s)
- G.722 Wideband Audio (64 kbits/s), Opus

### Video Codec Support

- H.264 / H.265(optional) 780P/1080P

### Auto Registration

- SLP or DNS-SRV for Singlewire Applications
- AtlasIED Discover tool

### Static Configuration

- HTTP GUI for Static Configuration

### Additional Features

- 10.1" 1280 x 800 color touch screen
- Programable 112 one-touch virtual DSS keys
- Supports 20 SIP lines
- Compatible with most major call platforms (e.g., Asterisk®, Broadsoft®, 3CX®, Metaswitch®, Elastix®, Avaya®, and others)
- Built-in Bluetooth 5.0
- Direct to IPX communication using multi-cast
- On-board Gooseneck Mic, Handset, and conference speaker
- Stand with 2 adjustable angles of 40 and 50 degrees

## General Description

The AtlasIED IP-CONSOLE-GH is a PoE voice over IP communications console equipped with a large 10.1-inch color touch screen, gooseneck microphone, handset and built-in speaker that combines clear voice communication and access to the wide range of features within the IPX Unified Communication ecosystem. The IP-CONSOLE-GH supports telephony integration and is compatible with most major call platforms when used as a desktop phone. The IP-CONSOLE-GH offers 112 programmable virtual DSS (Direct Station Selection) keys and each key can be configured with its own custom color and naming scheme to easily active a preprogrammed event or notification within the Unified Communication ecosystem. A built-in Gigabit Ethernet switch for both network connection and PC connection is included.

## Applications

- Healthcare
- Public Transportation
- Subway Stations
- Corporate Centers
- Education
- Industrial / Manufacturing

The AtlasIED IP-CONSOLE-GH natively registers with Singlewire's InformaCast® notification application or can register as a SIP phone to serve as the systems network Administrative Display Phone or Master Paging Station.

The gooseneck microphone, built-in speaker and graphical user-friendly interface allow the operator to select any or all zones for live day-to-day announcements or a single zone for two-way communication. The operator can also choose to select a single zone and use the handset for private intercom sessions.

When used with InformaCast® notification application each of the IP-CONSOLE-GH programmable 112 virtual DSS (Direct Station Selection) keys can be configured to match the InformaCast Fusion Command Center's button design that is synced to user defined color styles for normal, warning and emergency notifications.

Its large 10.1" color touch screen graphical user-friendly interface makes it easy to navigate through the configured virtual DSS (Direct Station Selection) keys and launch InformaCast's programed color coded critical alerts, manual bells, and pre-recorded events for fast and clear communications with AtlasIED's IPX Series IP endpoints.

The AtlasIED IP-CONSOLE-GH can also register as a SIP phone directly to a SIP server, VoIP Communications Manager, or call service including on-premise and hosted infrastructure call platforms and supports 20 SIP lines.

| System                                  |  |
|---|--|
| Type                                    | PoE IP Console with Gooseneck Microphone and Handset   |
| Operating System (OS)                   | Android® 9.0   |
| Phone Features                          |  |
| Local Phonebook Size                    | 2000   |
| Physical Keys                           | Volume Down, Volume Up, Home, Hands Free, Return   |
| Handset Connector                       | RJ9  |
| Power Input                             | PoE  |
| Bluetooth Headset Compatible            | Yes  |
| DSS (Direct Station Selection) Keys     | Yes – 112 (Virtual) Keys   |
| Call Log Depth                          | 1000 Entries   |
| Bluetooth Version                       | 5.0  |
| Safety Agency Ratings                   | CE and FCC   |
| Audio                                   |  |
| Microphone / Speaker Frequency Response | 20Hz - 7kHz (Minimum Range)  |
| Sampling Rate                           | 16kHz  |
| Supported Narrow Band Codecs            | G.711a/u and G.729AB   |
| Supported Wide Band Codecs              | G.722 and Opus   |
| AEC                                     | Full Duplex  |
| Gooseneck Mic Frequency Response        | 20Hz - 20kHz   |
| Video                                   |  |
| Codecs                                  | H.264 / H.265(Optional)  |
| Video Call Resolution                   | CIF / VGA / 4CIF / 720P / 1080P  |
| Image Format                            | JPEG / PNG / BMP   |
| Video Format                            | MP4 - Bandwidth Selection: 64kbps~4Mbps, Frame Rate Selection: 5~30fps   |
| Display                                 |  |
| Display Type                            | High Resolution Back-Lit Color Touch Screen  |
| Display Size                            | 10.1" (1280 x 800)   |
| Software                                |  |
| InformaCast Advanced Compatible Version | 4.0+   |
| InformaCast Fusion Compatible Version   | 3.0+   |
| Network                                 |  |
| Ethernet                                | IEEE 802.3 10/100/1000 Base-T  |
| PoE                                     | IEEE 802.3af Compliant   |
| Ethernet Switch                         | An Internal 2-Port Switch: 1 RJ45 for Network and 1 RJ45 for PC (Bridged to Network)   |
| Wi-Fi                                   | 2.4GHz (802.11 b/g/n) and 5GHz (802.11 a/n/ac)   |
| SIP Lines                               | 20   |
| Protocols                               |  |
| IP Addressing                           | DHCP / Static  |
| Auto-Registration                       | HTTP / Service Location Protocol   |
| Telephony                               | SIP2.0 over UDP /TCP / TLS   |
| Supported Protocols                     | RTP / RTCP / SRTP, STUN, CDP, LLDP, 802.1x, OpenVPN (Requires third-party app support), SNMP, FTP / TFTP, HTTP / HTTPS, TR-069 |

©2023 Atlas Sound L.P. The Atlas "Circle-A", Soundolier, and Atlas Sound are trademarks of Atlas Sound L.P. IED is a Registered Trademark of Innovative Electronic Designs LLC. All rights reserved. All other Trademarks are property of their respective owners. No endorsement is implied. Due to continual product development, specifications are subject to change without notice. ATIS007075 RevD 4/23

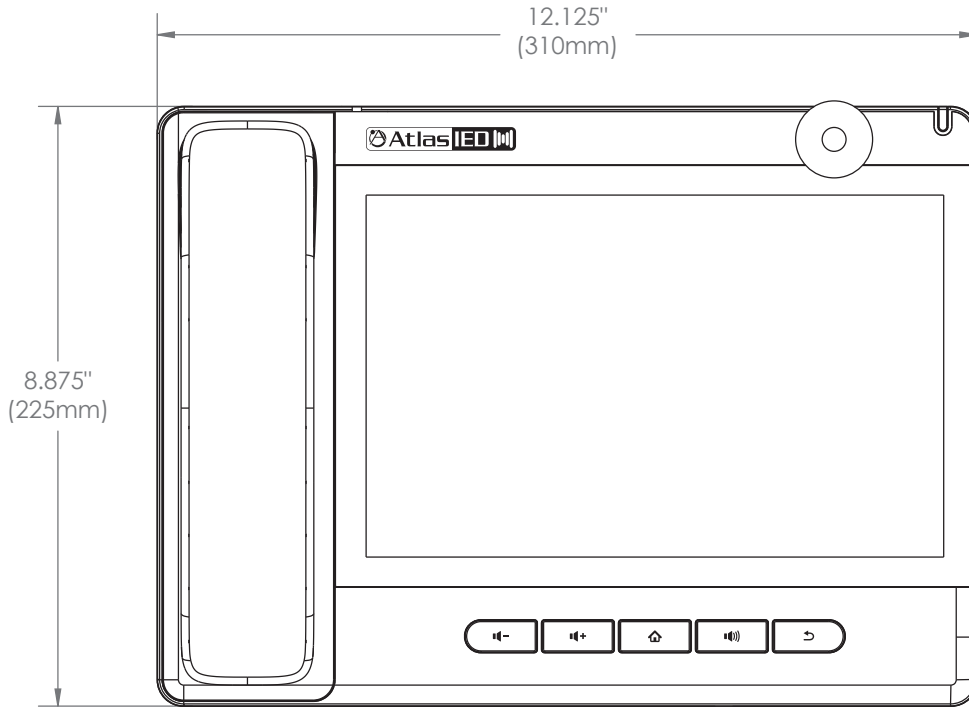
| <b>Mechanical</b>           |  |
|-----------------------------|--|
| Operating Temperature       | 0°C (32°F) to 45°C (113°F)                                 |
| Operating Humidity          | 10 - 95%   |
| Product Dimensions (HxWxD)  | 8.875" x 12.125" x 1.8" (225mm x 310mm x 46mm) (Base Unit) |
| Shipping Dimensions (HxWxD) | 12.0" x 12.75" x 2.75" (305mm x 324mm x 70mm)              |
| Net Weight - lbs            | 2.65lb (1.20kg) (Console / Kick Stand / Goose Neck)        |
| Net Weight - lbs            | 2.95lb (1.34kg) (Console / Kick Stand / Handset)           |
| Shipping Weight - lbs       | 4.075lb (1.85kg)   |
| <b>Warranty Coverage</b>    |  |
| Warranty Period             | 1 Year   |

The above specifications may be updated in the future without prior notice.

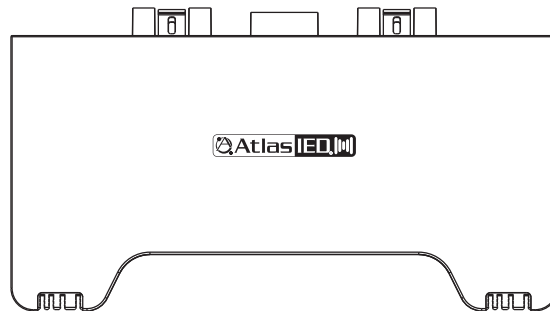
©2023 Atlas Sound L.P. The Atlas "Circle-A", Soundolier, and Atlas Sound are trademarks of Atlas Sound L.P. IED is a Registered Trademark of Innovative Electronic Designs LLC. All rights reserved. All other Trademarks are property of their respective owners. No endorsement is implied. Due to continual product development, specifications are subject to change without notice. ATIS007075 RevD 4/23

## Dimensional Drawings

IP Phone Console



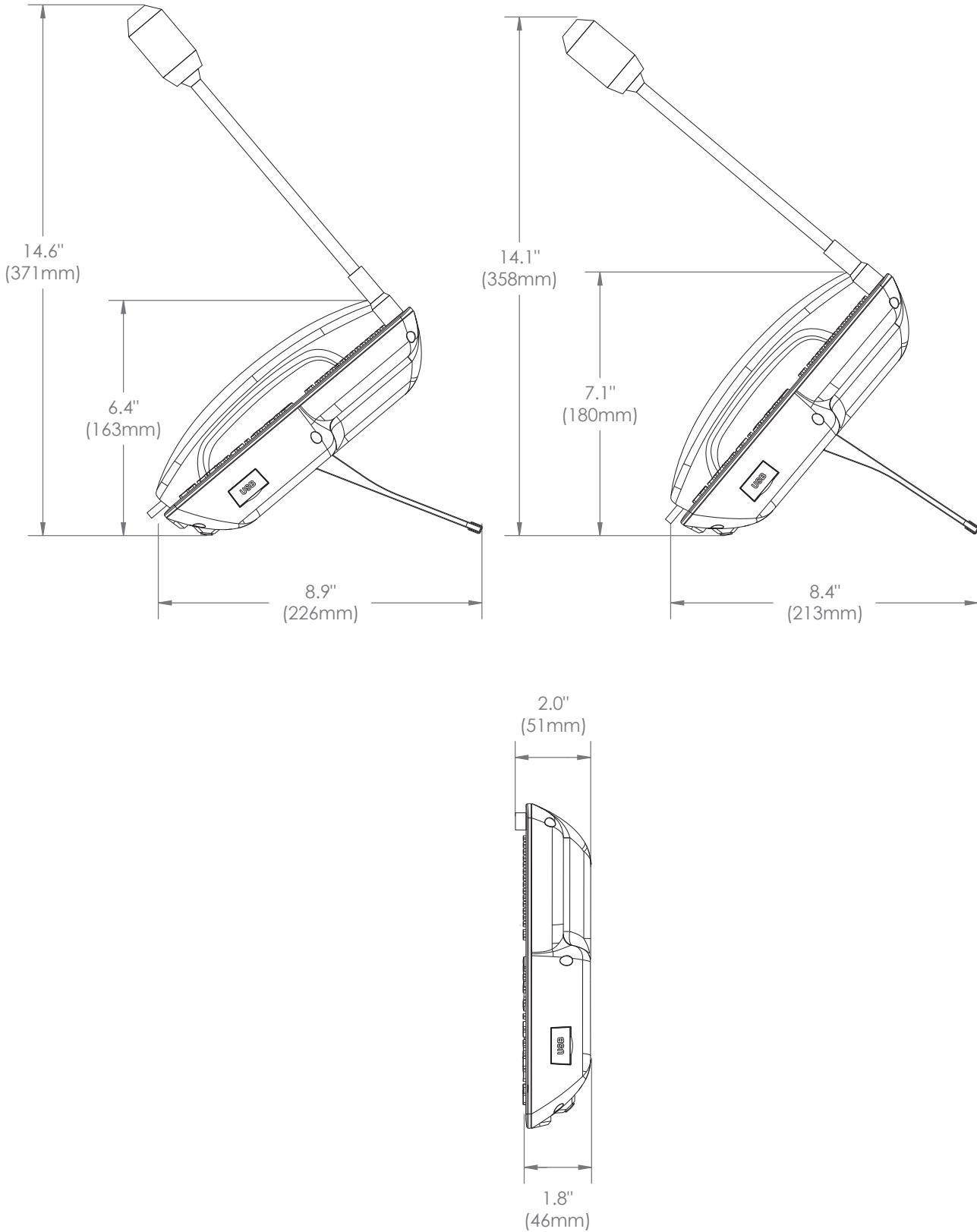
Stand



©2023 Atlas Sound L.P. The Atlas "Circle-A", Soundolier, and Atlas Sound are trademarks of Atlas Sound L.P. IED is a Registered Trademark of Innovative Electronic Designs LLC. All rights reserved. All other Trademarks are property of their respective owners. No endorsement is implied. Due to continual product development, specifications are subject to change without notice. ATSO07075 RevD 4/23

## Dimensional Drawings

Mic, Console, Stand



©2023 Atlas Sound L.P. The Atlas "Circle A", Soundolier, and Atlas Sound are trademarks of Atlas Sound L.P. IED is a Registered Trademark of Innovative Electronic Designs LLC. All rights reserved. All other Trademarks are property of their respective owners. No endorsement is implied. Due to continual product development, specifications are subject to change without notice. ATIS007075 RevD 4/23

## Architect & Engineer Specifications

The unit shall be AtlasIED model IP-CONSOLE-GH. The PoE voice over IP communication Administrative Control Console (subsequently referred to as Console) shall be a programmable 10.1" diagonal capacitive touch technology color screen interface with a 1280x480 resolution. The Console shall provide 112 programmable virtual DSS (Direct Station Selection) keys and allow for a custom color and naming scheme for each key. The Console shall have a gooseneck microphone and built-in speaker that supports hands-free wideband audio (HD Audio) for maximum intelligibility, as well as a corded handset. The Console shall be equipped with an internal Gigabit Ethernet switch and include 1 RJ45 port for IEEE 802.3 10/100/1000 Base-T Ethernet network connection and 1 RJ45 port for IEEE 802.3 10/100/1000 Base-T Ethernet co-located PC connection. The Console shall allow connectivity to a 2.4GHz (802.11 b/g/n) and 5GHz (802.11 a/n/ac) Wi-Fi access-point infrastructure as an alternative to wired Ethernet. The Console shall support telephony integration and be compatible with most major call platforms.

The AtlasIED IP-CONSOLE-GH shall natively register with Singlewire's InformaCast® notification application or register as a SIP phone to serve as the systems network Administrative Display Phone or Master Paging Station.

Each of the Console's programmable 112 virtual DSS (Direct Station Selection) keys shall be capable of matching Singlewire's InformaCast® Fusion Command Center button architecture. The Console's 10.1" diagonal capacitive touch technology color screen interface shall allow the operator to launch Singlewire's InformaCast® Fusion programmed color-coded critical alerts, manual bells, pre-recorded, scheduled events and two-way communication. When there are no active calls, the display shall show the Console name and dial number. If a time server is connected to the network, the display shall also show the time and date.

The Console's gooseneck microphone, built-in speaker and graphical user-friendly interface shall allow the operator to select any or all zones for live day-to-day announcements or a single zone for two-way communication. The Console shall also allow the operator to select a single zone and use the handset for private intercom sessions.

The Console shall be capable of registering as a SIP phone directly to a SIP Server, VoIP Communications Manager or call service including on-premise and hosted infrastructure call platforms and supports 20 SIP lines for making calls to external and internal phones, two-way intercom, monitoring, and broadcasting. The Console SIP implementation shall support standards G.711 a-law and u-law, G.722 and SIP.2.0 over UDP, TCP, TLS, and RTP protocols.

The Console shall be PoE IEEE Power over Ethernet class 4 and compatible with both IEEE 802.3af and 802.3at switch blades and support Link Layer Discovery Protocol - Power over Ethernet (LLDP-PoE).

The Console shall provide Bluetooth 5.0 Enhanced Data Rate (EDR) Class 1 technology support for Hands-Free Profile (HFP) untethered headset connections and voice communications.

The PoE voice of IP communications console shall be Molded of Dark Grey Polycarbonate Acrylonitrile Butadiene Styrene (ABS) Textured Plastic. It shall offer the ability to mount flat on top of a surface, or free-standing on a desktop using included adjustable stand with 40 and 50 degree angles. The overall dimensions of the base unit shall be 8.875" x 12.125" x 1.8" (225mm x 310mm x 46mm).