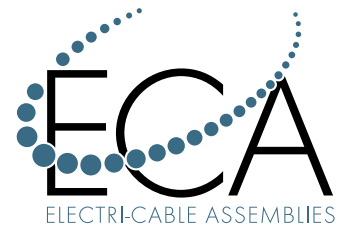


SPECIFICATION SHEET AND ORDERING INFORMATION



Specifications

- Fits table thickness up to 1-1/4"
- Recommended table cutout 4-5/8" x 4-5/16"
- Corded units are UL Listed and CSA Certified.

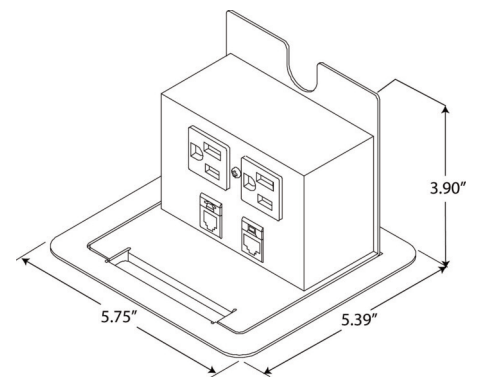
INTERACT JR

The Interact Jr. is a flip up unit which provides access to 2 power receptacles and 2 data or phone connectors. Power and Data is accessed by lifting the lid and can be hidden from use when closed. The Interact Jr is constructed of durable powder coat steel making it ideal for even the most demanding environments. UL Listed and CSA Certified.

Ordering information

Part number	Product Configuration
Black Finish	
INTERACT JR AB	Flip up, tabletop unit, 2 power, 1 RJ-11 (cat 3) connector, 1 RJ-45 (cat 6) connector, 72" power cord, Black textured finish.
INTERACT JR BB	Flip up, tabletop unit, 2 power, 2 RJ-45 (cat 6) connectors, 72" power cord, Black textured finish.
INTERACT JR 019	Flip up, tabletop unit, 2 power, no data, 2 Stuffer Caps, 72" power cord, Black textured finish.
Silver Finish	
INTERACT JR 058	Flip up, tabletop unit, 2 power, 1 RJ-11 (cat 3) connector, 1 RJ-45 (cat 6) connector, 72" power cord, Silver finish.
INTERACT JR 078	Flip up, tabletop unit, 2 power, 2 RJ-45 (cat 6) connector, 72" power cord, Silver finish.
ACT-JR-DKO-S-72	Flip up, tabletop unit, 2 power, no data, 2 Stuffer Caps, 72" power cord, Silver finish.

Product Dimensions



INTERACT JR SHOWN
5.75" x 5.39" x 3.90"