

Overview

The **HPX-N102-USB-PC** Dual Charging USB Module (**FG553-13**) can be used in conjunction with Hydraport HPX-600/900/1200 Connection Ports as well as the HPX-1600 Retractable Connection Port.

This module provides two user-accessible USB Power connections on the face of the module, providing 2.1A USB power connections from the user's equipment to a remote power supply (FIG. 1):

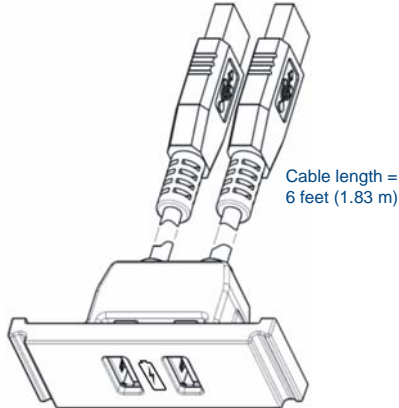


FIG. 1 HPX-N102-USB-PC Dual USB Power Module

The HPX-N102-USB-PC receives its power from the (included) **PSU2.1** USB Power Supply (**FG423-25**). The PSU2.1 features two powered USB ports that provide up to 2.1A max per port (4.2A total across both ports):



FIG. 2 PSU2.1 - 2-port USB Power Supply

Product Specifications

HPX-N102-USB-PC Module - Specifications	
Dimensions (HWD):	Module: 0.98" x 2.05" x .276" (25 mm x 66 mm x 7 mm) <i>Note that "Depth" (D) represents the depth of the module faceplate relative to the front of the connection ports.</i>
Weight:	.35 lbs (0.16 Kg)
USB Ports:	(2) Type A USB Ports
USB Cables:	(2) USB cables 6' (1.83 m) - connect the module to the USB Ports on the PSU2.1 USB Power Supply
Enclosure:	Matt black finished face plate (Polycarbonate plastic).
Compatibility:	<ul style="list-style-type: none"> HPX-600: 6 Module Connection Port (FG560-01-SL/BL) HPX-900: 9 Module Connection Port (FG560-02-SL/BL) HPX-1200: 12 Module Connection Port (FG560-03-SL/BL) HPX-1600: 16 Module Retractable Connection Port (US - FG550-01-SL/BL, International - FG550-SL/BL)
Included Accessories:	<ul style="list-style-type: none"> PSU2.1 USB Power Supply (FG423-25)
PSU2.1 USB Power Supply - Specifications	
Dimensions (HWD):	1.26" x 2.17" x 3.15" (3.2 cm x 5.5 cm x 8 cm)
Weight:	.25 lbs (93.3 g)
2 USB Ports/LEDs:	<ul style="list-style-type: none"> 2 Charging Ports provide 2.1A USB charging (max per port) 4.2A total is provided across both ports. Blue LEDs on each USB port light to indicate that power is available.

PSU2.1 USB Power Supply - Specifications (Cont.)	
Included Accessories:	4 Power Plug Adapters: <ul style="list-style-type: none"> NEMA 1-15 (for North America) BS 1363 (for UK and Ireland) CEE 7/16 Europlug (for most European countries) AS/NZS 3112 (for Australia and New Zealand)

Installation (HPX-600/900/1200 Connection Ports)

The following instructions describe installing the HPX-N102-USB-PC into Hydraport HPX-600/900/1200 Connection Ports.

For instructions on installing modules into the HPX-1600 Retractable Connection Port (US and International versions), refer to the *HPX-1600 Installation Manual* - available to view or download from www.amx.com.

Caution: Only use a hand-held screw driver for the mounting instructions in this document. Over-tightening the screws can hinder performance or damage the product.

1. For Existing HPX Installations, First Unmount the HPX Base

For new HPX installations, skip to Step 2.

For existing HPX installations, the HPX Base Assembly must be un-mounted from the surface before the HPX-N102-USB-PC module can be installed:

- Cut/remove any cable ties that would restrict the removal of the HPX Base Assembly.
- Loosen the four mounting screws (located inside and at each end of the HPX base assembly), in order to rotate the retaining tabs from under the mounting surface.

Note that when the cover of the HPX base is open, only two of these screws are visible. To access the other two mounting screws, tip the cover over to the opposite open position (see FIG. 3).

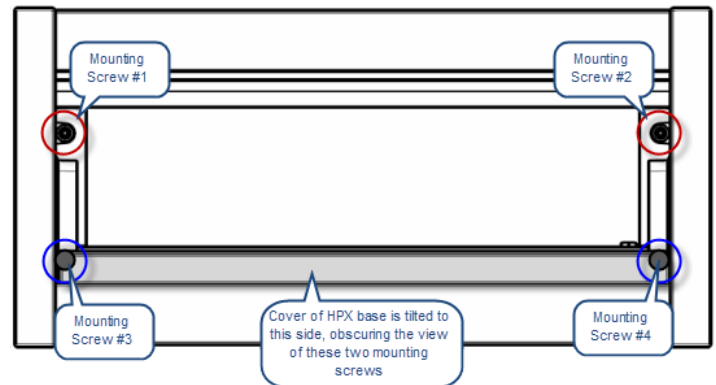


FIG. 3 HPX Base Assembly (shown mounted) - Mounting Screws Locations

- Once the retaining tabs have been rotated out from under the mounting surface, the HPX assembly can be lifted away from the mounting surface.

FIG. 4 provides a cutaway view of the End Cap, showing the retaining tabs in both the loose position and the tightened (secure) position:

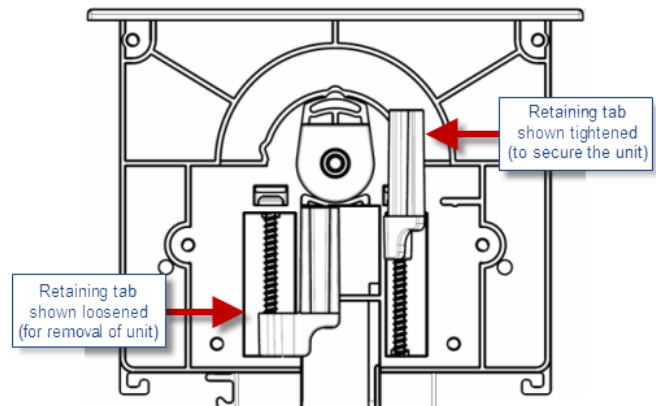


FIG. 4 HPX Base Assembly (shown mounted) - Mounting Screws Locations

2. Remove the End Cap and Existing Modules

Remove the End Cap as well as existing modules (as necessary, depending on how you want the modules arranged) from one end of the HPX base assembly.

1. Remove the (silver) pivot screw and pivot pawl assembly in the center of the End Cap (FIG. 5).
2. Remove the six (black) sheet metal screws that secure the End Cap to the HPX assembly (locations circled in red below).

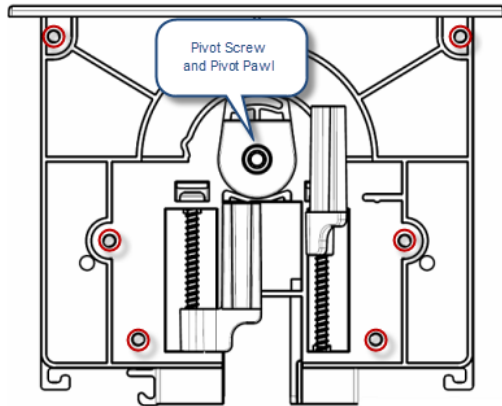


FIG. 5 HPX Base Assembly (shown mounted) - Mounting/Pivot Screw Locations

3. Gently slide the End Cap out of the HPX base assembly.

3. Insert the Dual USB Module into the HPX Base

1. Orient the module relative to the HPX base assembly so that the Module's faceplate is facing up, towards the mounting surface (FIG. 6).

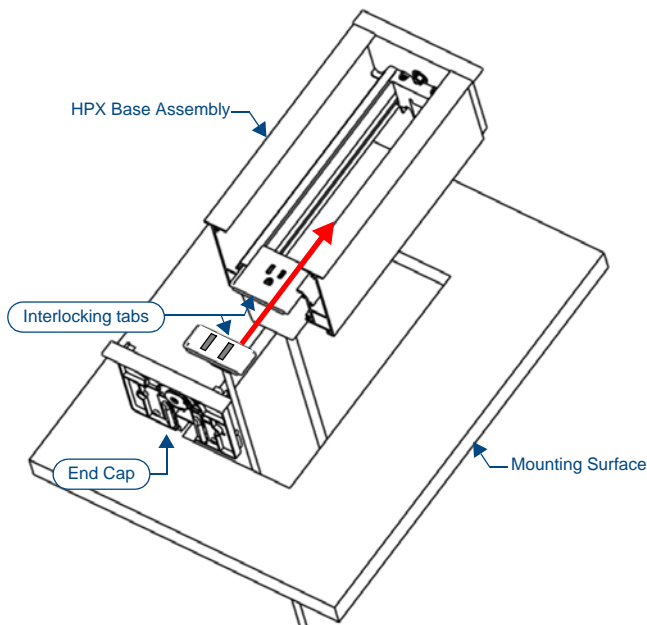


FIG. 6 Installing the HPX-N102-USB-PC Module

2. Align the Mounting Notches on the module with the Mounting Rails on the HPX base.

Note: Module faceplates are notched in a "tongue and groove" type fashion to ensure that all modules are oriented correctly in the HPX. Note the orientation of the notched faceplate on each module before sliding the module(s) into the HPX assembly.

3. Slide the module into position.
4. Install any remaining modules into the HPX base.

4. Re-Install the End-Cap

Caution: Do not use a high-powered torque screw driver. Over-tightening these screws can damage the product.

1. Align the Mounting Notches on the End Cap with the Mounting Rails on the HPX base.
2. Slide the End Cap into the HPX base until it is fully inserted against the end of the base assembly.
3. Secure the End Cap with the six (black) sheet metal screws (removed in Step 2 - 2; see FIG. 5).
4. Replace the (silver) pivot screw and pivot pawl assembly (removed in Step 2 - 1, see FIG. 5) in the center of the End Cap.

5. Mount the HPX into the Mounting Surface

Caution: Do not use a high-powered torque screw driver. Over-tightening these screws can damage the product.

Note: For detailed instructions on installing the HPX base assembly, refer to the HPX-600/900/1200 Installation Guide (available online at www.amx.com).

1. Carefully insert the HPX base into the cutout in the mounting surface.
2. Tighten the four mounting screws (loosened in Step 1, see FIG. 4) located inside and at each end of the HPX base assembly, to rotate the retaining tabs into locking position under the mounting surface.
3. Replace any cable ties that were removed in Step 1.

Connecting the USB Module to the PSU2.1 USB Power Supply

Plug the two USB cables from the USB module into the USB ports on the included PSU2.1 Power Supply (see FIG. 2).

USB Power Supply Installation

Install the Appropriate Power Adapter

The PSU2.1 USB Power Supply comes with Power Adapters to accommodate various wall outlet types. Select the Power Adapter that is appropriate for your locale and mount it on the PSU2.1:

PSU2.1 Included Power Adapters			
NEMA 1-15	BS 1363	CEE 7/16 Europlug	AS/NZS 3112

1. Align the mounting slots on the Power Adapter with the metal prongs on the PSU2.1
2. Slide the adapter into place, until it "clicks" into its secure position (FIG. 7):



FIG. 7 Installing a Power Adapter on the PSU2.1

3. Plug the power supply (with Power Adapter installed) to a wall outlet. Note that the (blue) Power Status LEDs light to indicate that the PSU2.1 is receiving power.
4. Plug both USB cables from the USB Module into the PSU2.1.

Note: The PSU2.1 USB Power Supply is also available to purchase separately from AMX (FG423-25).

Additional Documentation

Refer to the *Products > Architectural Connectivity* catalog page on www.amx.com (Dealer Site) for additional product documentation.

