

Overview

Hydraport Retractable Cable Modules are designed to be used in conjunction with the HPX-600/900/1200 Connection Port base assembly, to provide the convenience of various types of cables in a Hydraport System.

The **HPX-AV101-DP-R** DisplayPort Module with Retractable Cable (FG552-28) provides a user-accessible Display cable in a retractable spool that mounts into the Hydraport base assembly (FIG. 1).

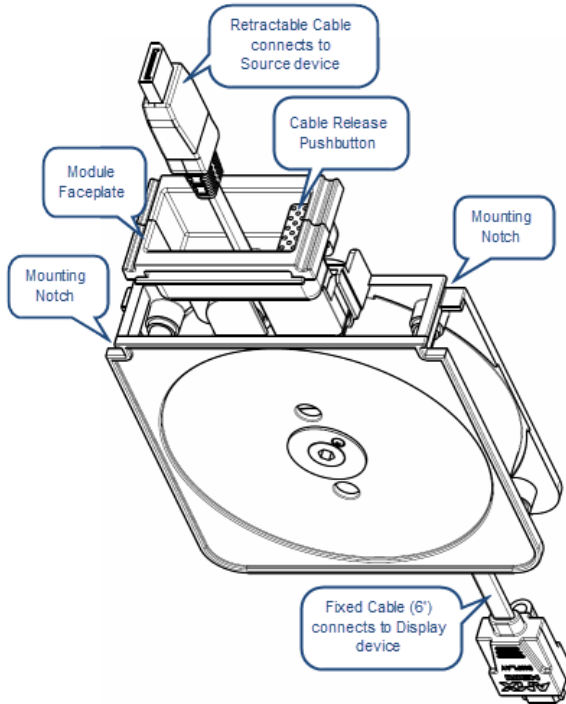


FIG. 1 HPX-AV101-DP-R DisplayPort Module with Retractable Cable

Installation

Warning! - Do not attempt to open the retractable cable module enclosure. There are no serviceable parts inside the module.

Opening the module enclosure may result in an uncontrolled release of spring forces which could cause serious injury and/or equipment damage.

Opening the module enclosure will void the product warranty.

Caution: Only use a hand-held screw driver for the mounting instructions in this document. Over-tightening the screws can hinder performance or damage the product.

1. For Existing HPX Installations, First Unmount the HPX Base For new HPX installations, skip to Step 2.

For existing HPX installations, the HPX Base Assembly must be un-mounted from the surface before the Retractable Cable Modules can be installed:

1. Cut/remove any cable ties that would restrict the removal of the HPX Base Assembly.
2. Loosen the four mounting screws (located inside and at each end of the HPX base assembly), in order to rotate the retaining tabs from under the mounting surface.

Note that when the cover of the HPX base is open, only two of these screws are visible. To access the other two mounting screws, tip the cover over to the opposite open position (see FIG. 2).

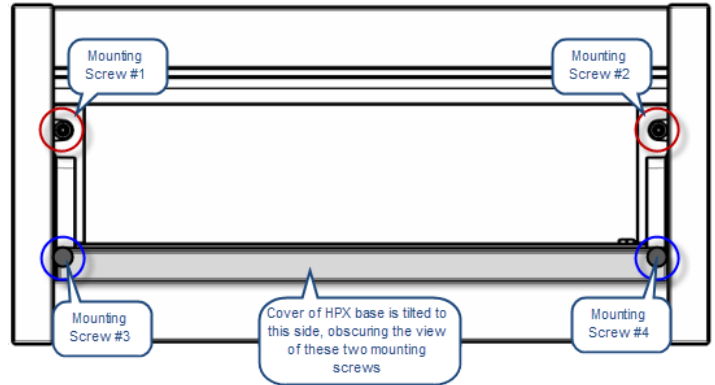


FIG. 2 HPX Base Assembly (shown mounted) - Mounting Screws Locations

3. Once the retaining tabs have been rotated out from under the mounting surface, the HPX assembly can be lifted away from the mounting surface.

FIG. 3 provides a cutaway view of the End Cap, showing the retaining tabs in both the loose position and the tightened (secure) position:

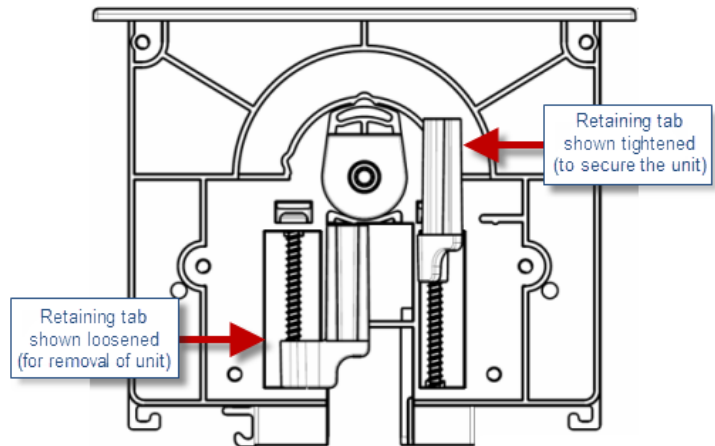


FIG. 3 HPX Base Assembly (shown mounted) - Mounting Screws Locations

2. Remove the End Cap and Existing Modules

Remove the End Cap as well as existing modules (as necessary, depending on how you want the modules arranged) from one end of the HPX base assembly.

1. Remove the (silver) pivot screw and pivot pawl assembly in the center of the End Cap (FIG. 4).
2. Remove the six (black) sheet metal screws that secure the End Cap to the HPX assembly (locations circled in red below).

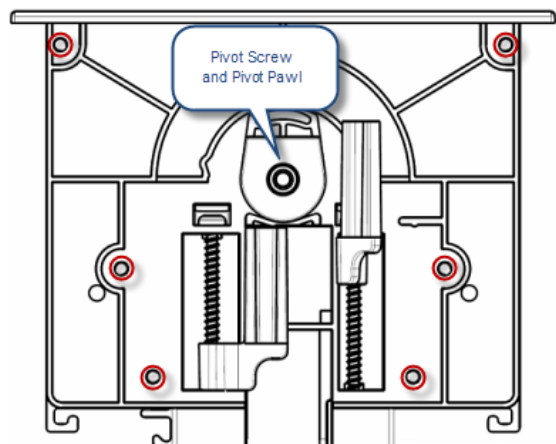


FIG. 4 HPX Base Assembly (shown mounted) - Mounting/Pivot Screw Locations

3. Gently slide the End Cap out of the HPX base assembly.

3. Insert the Retractable Cable Module into the HPX Base

1. Orient the module relative to the HPX base assembly so that the Module's faceplate is facing up, towards the mounting surface (FIG. 5).

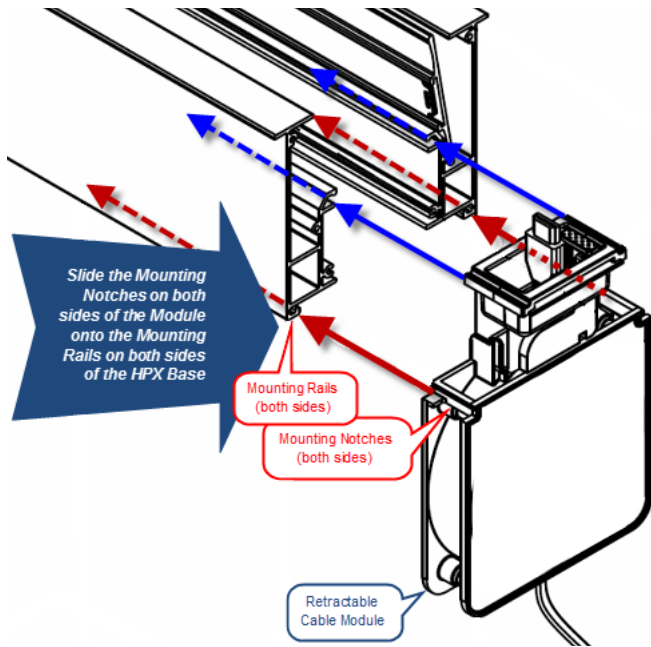


FIG. 5 Retractable Cable Module - Mounting into an HPX Base Assembly

2. Align the Mounting Notches on the module with the Mounting Rails on the HPX base.

Note: Module faceplates are notched in a "tongue and groove" type fashion to ensure that all modules are oriented correctly in the HPX. Note the orientation of the notched faceplate on each module before sliding the module(s) into the HPX assembly.

3. Slide the module into position.
4. Install any remaining modules into the HPX base.

4. Re-Install the End-Cap

Caution: Do not use a high-powered torque screw driver. Over-tightening these screws can damage the product.

1. Align the Mounting Notches on the End Cap with the Mounting Rails on the HPX base.
2. Slide the End Cap into the HPX base until it is fully inserted against the end of the base assembly.
3. Secure the End Cap with the six (black) sheet metal screws (removed in Step 2 - 2; see FIG. 4).
4. Replace the (silver) pivot screw and pivot pawl assembly (removed in Step 2 - 1, see FIG. 4) in the center of the End Cap.

5. Mount the HPX into the Mounting Surface

Caution: Do not use a high-powered torque screw driver. Over-tightening these screws can damage the product.

Note: For detailed instructions on installing the HPX base assembly, refer to the HPX-600/900/1200 Installation Guide (available online at www.amx.com).

1. Carefully insert the HPX base into the cutout in the mounting surface.
2. Tighten the four mounting screws (loosened in Step 1, see FIG. 3) located inside and at each end of the HPX base assembly, to rotate the retaining tabs into locking position under the mounting surface.

6. Terminate Fixed Cables

1. Terminate fixed cables as necessary.

Note: Use of an extension cable on either end of this cable should be avoided to ensure optimal performance.

2. Replace any cable ties that were removed in Step 1.

Mounting Dimensions

FIG. 6 provides dimensions for the retractable cable module, when installed in an HPX base assembly:

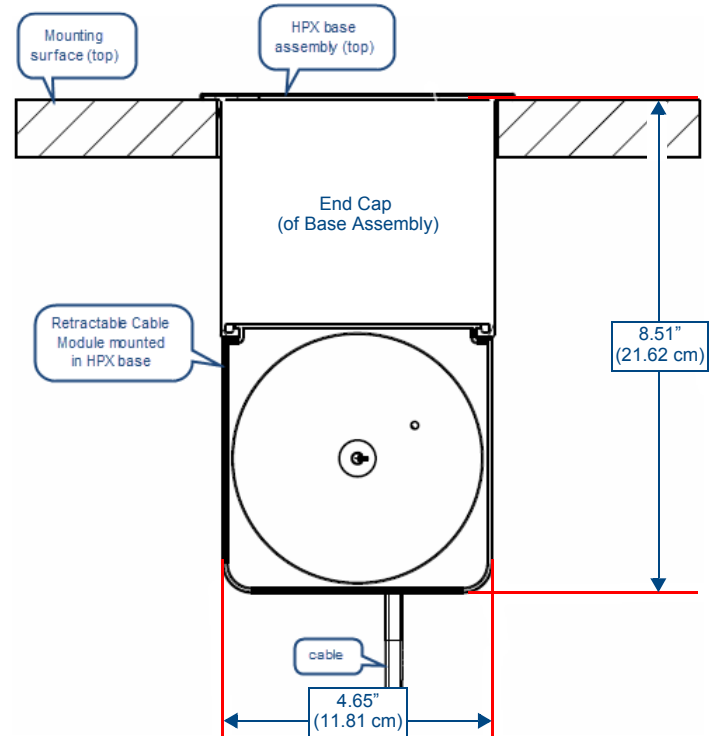


FIG. 6 RCM Module (installed in an HPX base) - detailed dimensions

Additional Documentation

Refer to the *Products > Architectural Connectivity* catalog page on www.amx.com (Dealer Site) for additional product documentation.

