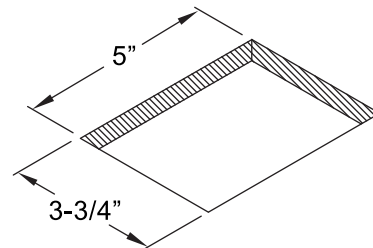
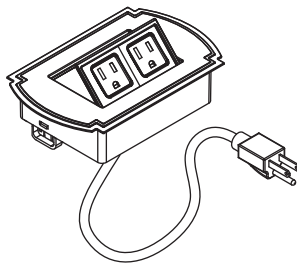
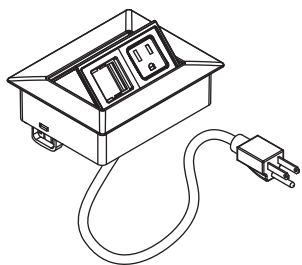


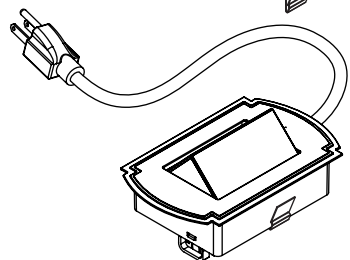
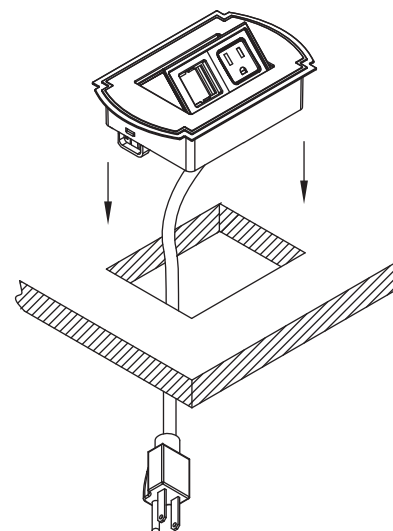
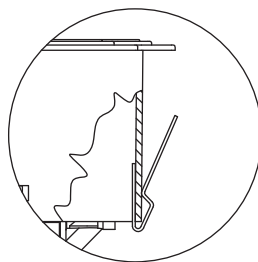
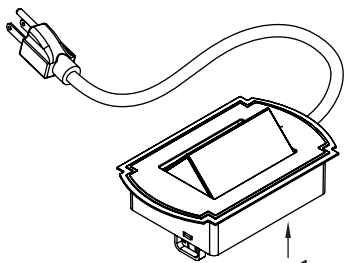


# INSTALLATION INSTRUCTIONS FOR GLENBEIGH®

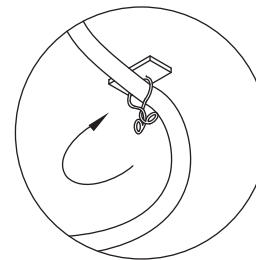
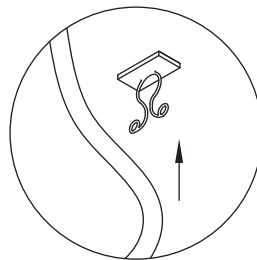
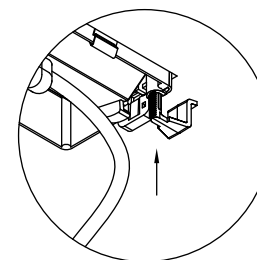
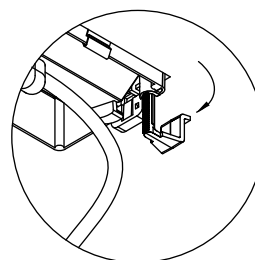
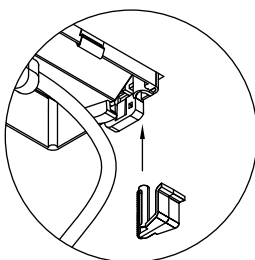
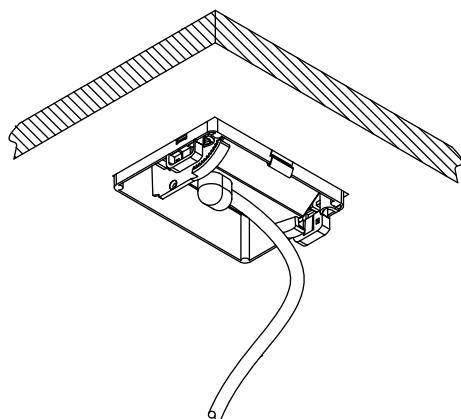


Install data jacks as described in the installation instructions provided with the data adapters, BE01421

**Note: When managing conduit and cabling exiting the unit ensure there is adequate slack to allow unit to open properly.**



Note: Metal clip to be located on back side of Glenbeigh only.



Note: In a conduit application; conduit should be supported according to local code.