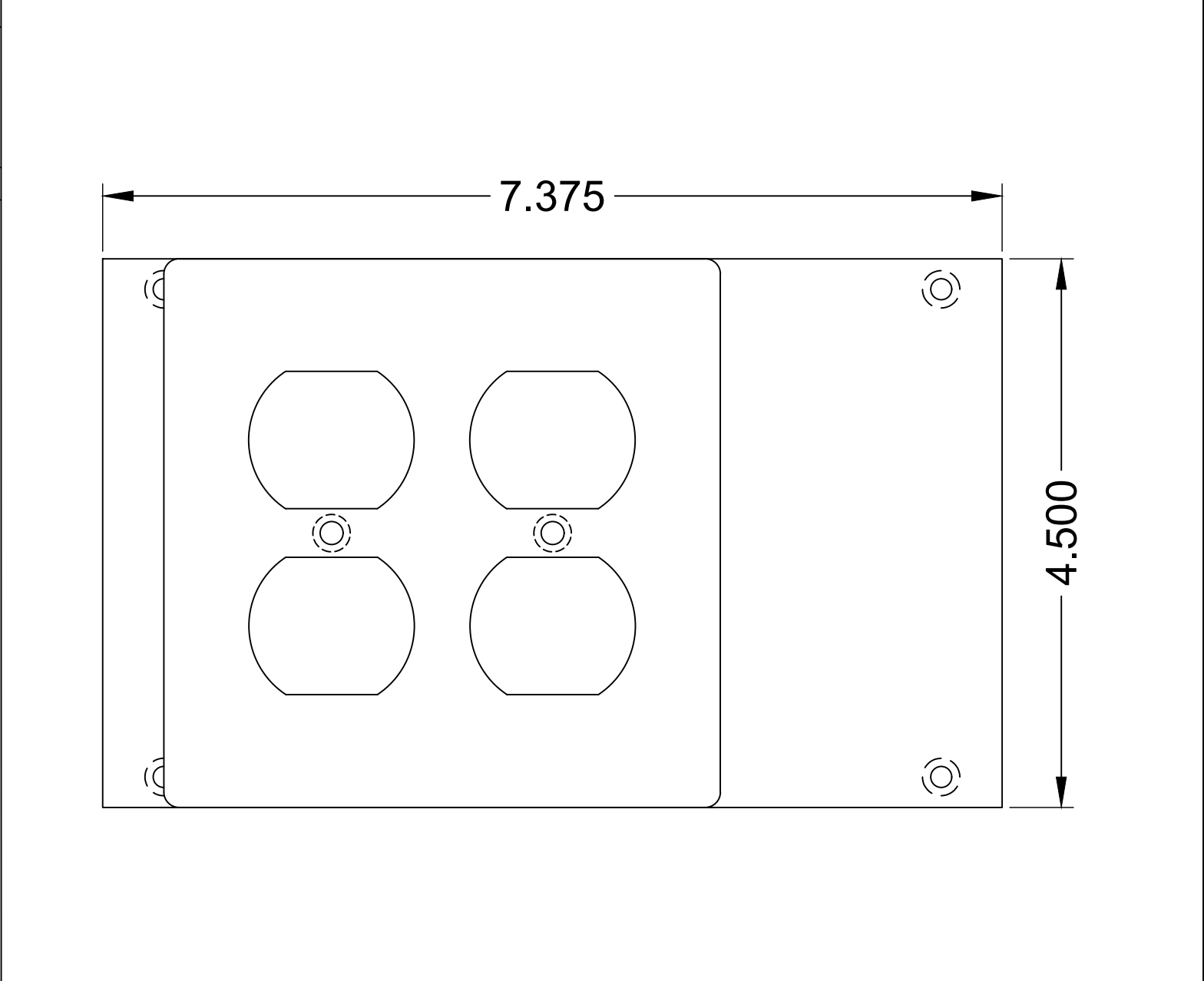
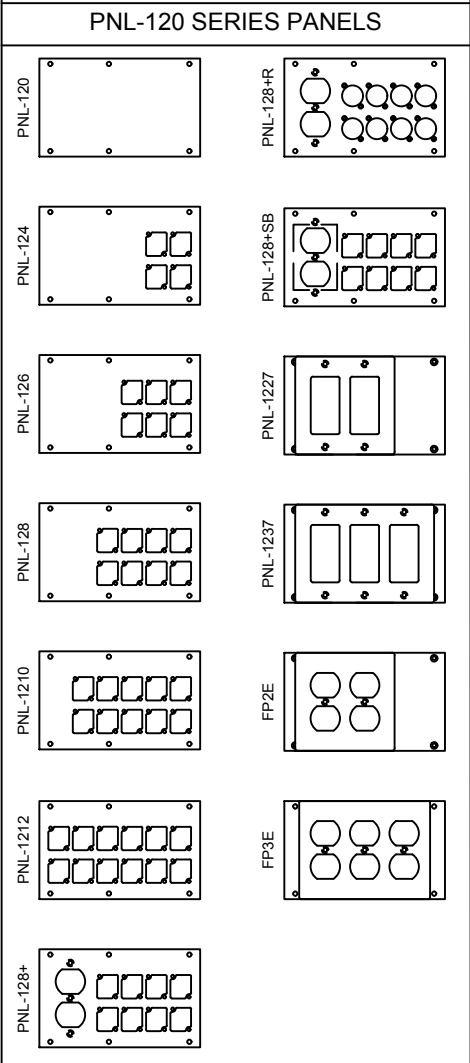


COMPATIBLE POCKETS

- FULL
- DOUBLE WIDE
- SUPER
- SUPER DOUBLE WIDE



REVISED: 01/2021	MATERIAL:	FINISH:	DESCRIPTION:	REV 1
ALL DIMENSIONS ARE FOR REFERENCE ONLY. ALL DIMENSIONS ARE IN INCHES	1/16" 6061-T6 ALUMINUM	BLACK POWDER COAT, SEMI GLOSS	FLOOR POCKET PANEL WITH TWO-GANG ELECTRICAL BOX AND QUAD COVER PLATE	SHEET 1 OF 1