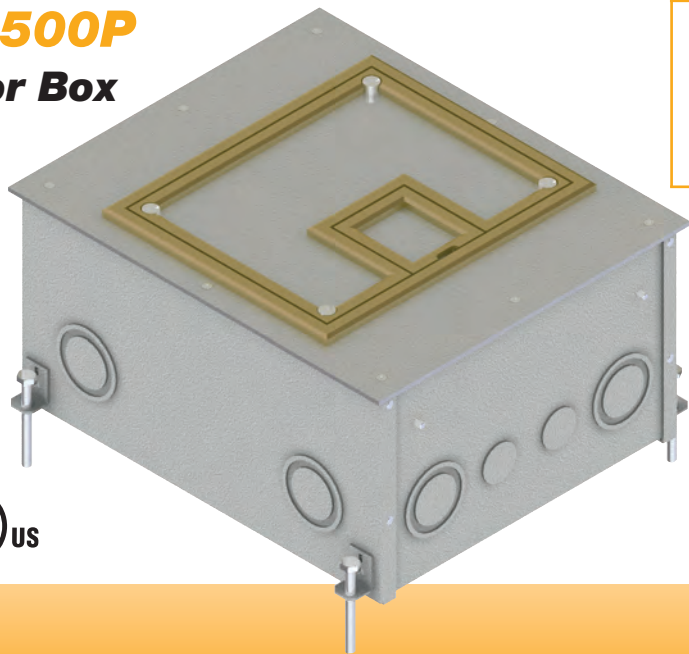


FL-500P Floor Box



FSR

Metal Products Group

FL-500P Floor Box

- 11-gauge steel temporary construction cover included
- 11-gauge finished steel cover with choice of carpet edging
- Mitered brass or aluminum carpet edging .5" or .25" high
- Stainless steel compression latches
- Lift-off full access door
- Leveling feet

Scrub water approved for carpet, tile, and wood floors!

DESCRIPTION

Our FL-500P Floor Boxes combine rugged construction and an elegant design for use in carpet, tile or wood covered floors over poured concrete applications. This makes it the perfect floor box for ballrooms, convention spaces and high traffic areas. There is ample compartment room to accommodate power, audio, video, telecommunications and data in one elegant and practical box.

There are a variety of covers to choose from. Options include integrated carpet edging, flat covers for non-carpeted, bare floor applications and different finishes. The lift-off section of the cover allows full access to internal connector plates and stored cables. The hinged cable exit door flips back to allow the cover to remain in place after connections are made and cables are routed through it. The 0.25" and 0.5" raised edge style and solid covers are UL scrub water approved.

The innovation continues to the "transformable" back box. The FL-500P's internal brackets can be arranged to provide numerous options for both high and low voltage standard gang openings making it the most flexible and easiest to install floor box available. Removable center dividers make passing cables through the various compartments a snap. Integral "Easy Pour" leveling feet are standard on all of the back boxes. Several box depths are available. The 3" through 10" deep boxes are UL listed.

The unit includes all the necessary internal plates and brackets to make "pre" and "post" pour compartment changes quick and easy. Using this system, both high and low voltage gang configurations along with line voltage compartment isolation can be implemented "on the fly". This makes just about any cabling/ connector scenario possible.

SPECIFICATIONS

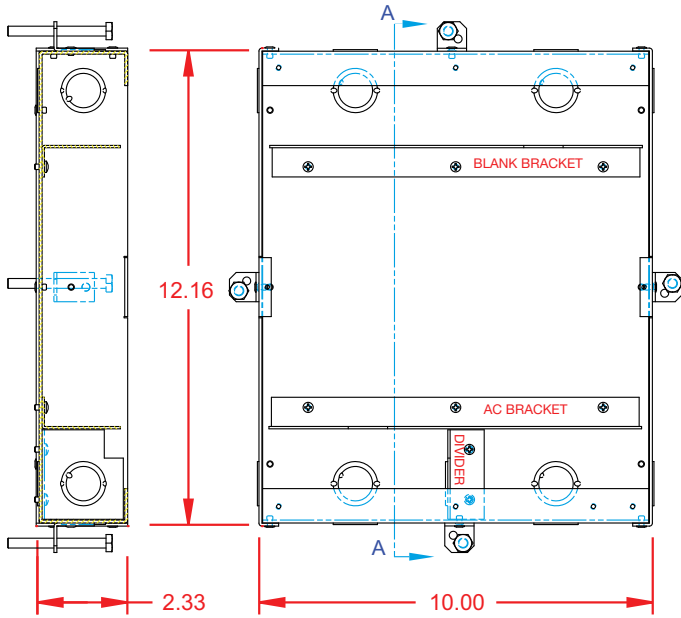
Size:	Box:	10" x 12" x depth
	Cover:	10.5" x 12.5" x .125"
Edging:	Height:	.25" or .5"
	Material:	Brass or Aluminum
		Flat and Solid Covers also available

KNOCKOUT SPECIFICATIONS

FL-500P-2.25"	
KO trade size	Qty/Box
1/2" / 3/4" Concentric	12
FL-500P-3"	
KO trade size	Qty/Box
3/4"	4
1"	4
3/4" / 1" Concentric	8
1" / 1-1/4" Concentric	4
FL-500P-4"	
KO trade size	Qty/Box
3/4"	8
1.00" / 1-1/4" Concentric	4
1.00" / 1-1/4" / 1-1/2" Concentric	8
FL-500P-6" thru 10"	
KO trade size	Qty/Box
3/4"	8
1.00" / 1-1/4" / 1-1/2" Concentric	12

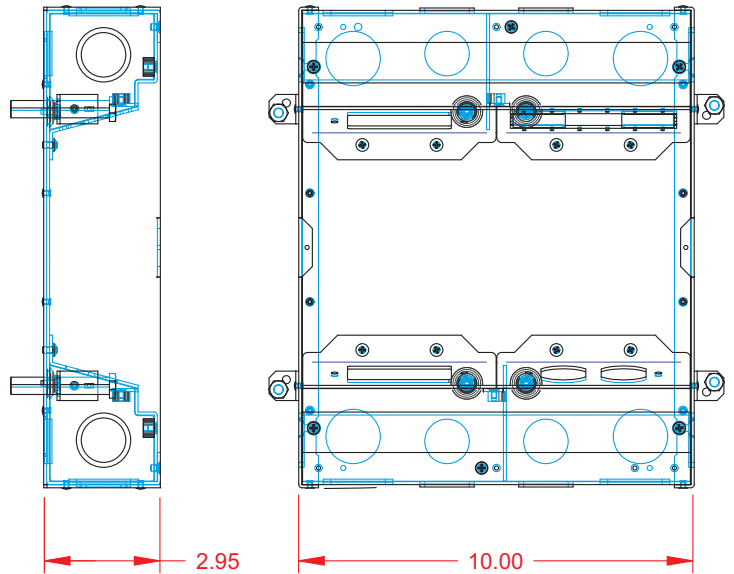
BACK BOX DETAIL DRAWINGS

FL-500P-2.25 2.25" Deep



* Optional brackets available for these back boxes. See the ordering table for more information.

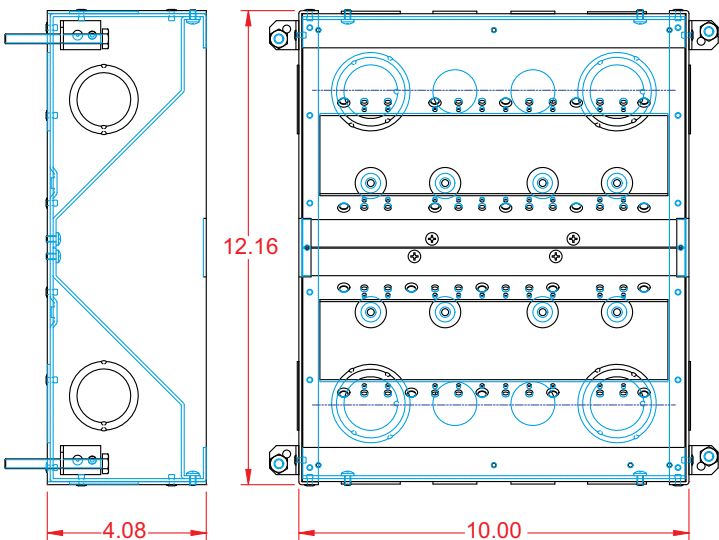
FL-500P-3 3" Deep



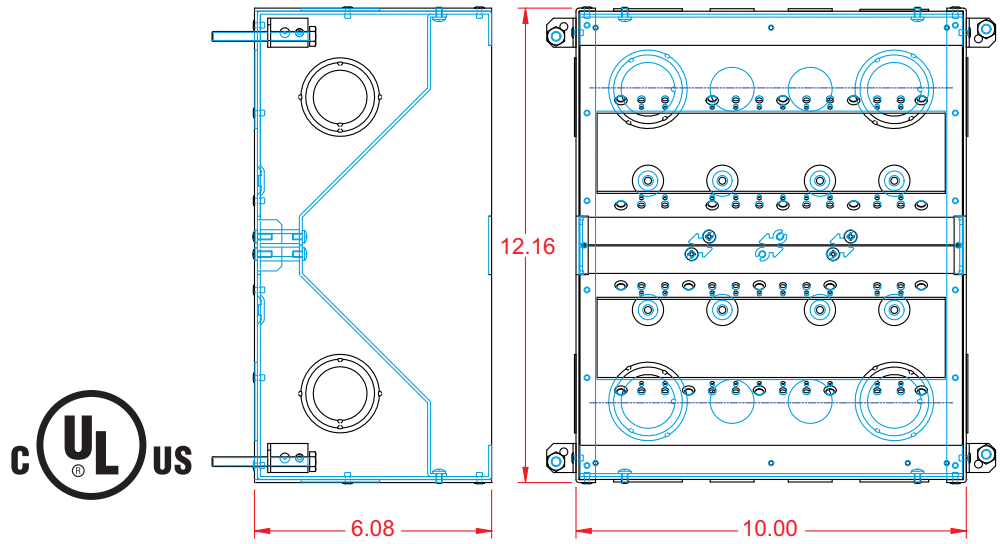
* Optional brackets available for these back boxes. See the ordering table for more information.



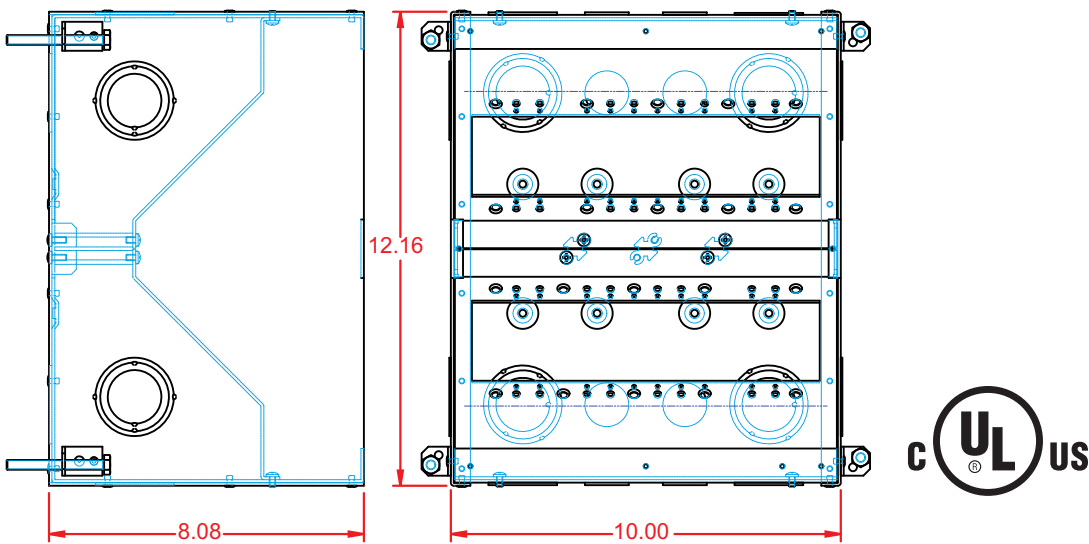
FL-500P-4 4" Deep



**FL-500P-6
6" Deep**



**FL-500P-8
8" Deep**



**FL-500P-10
10" Deep**

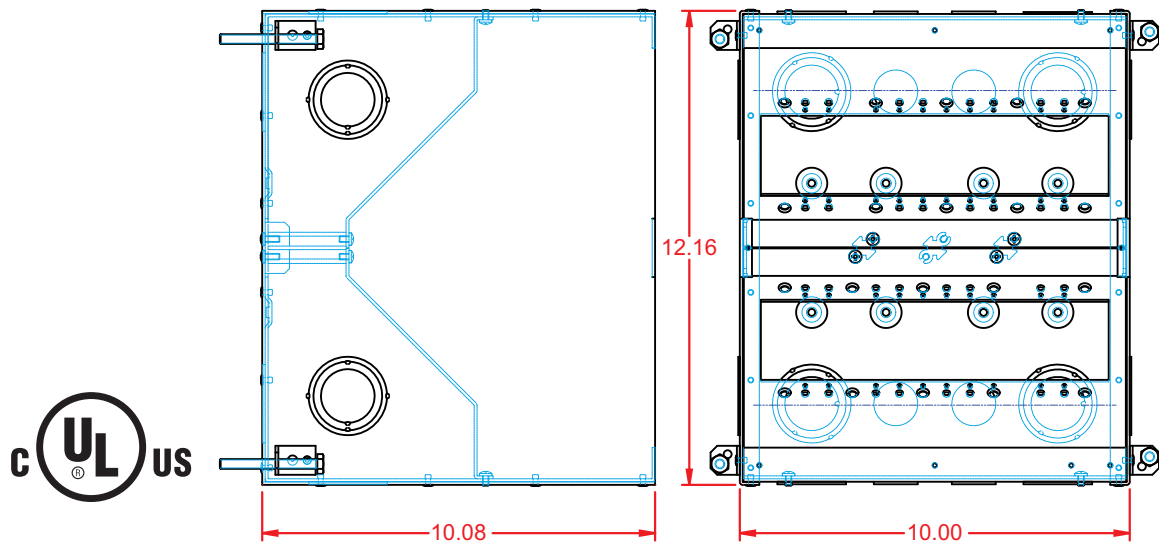


PLATE CONFIGURATIONS

The box contains two identical brackets and either side can be configured as shown using the included parts.

Plate Configuration 1-2



Plate Configuration 1-3



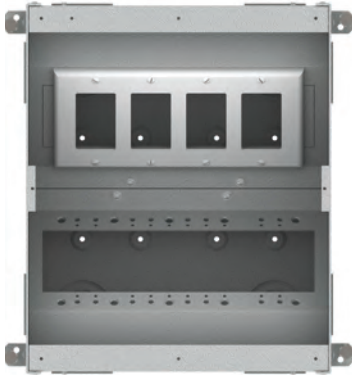
Plate Configuration 2-2



Plate Configuration 3-1



Plate Configuration 4

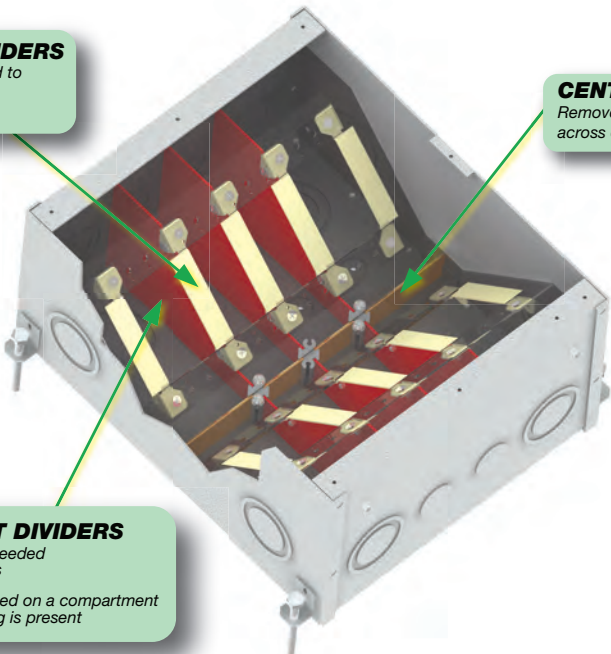


FL-500P "TRANSFORMABLE" BACKBOX

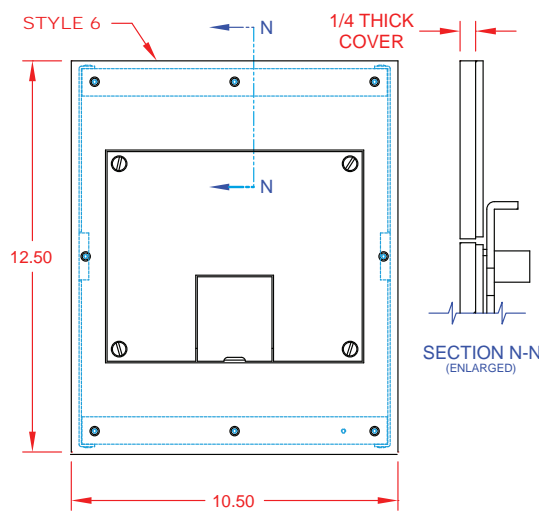
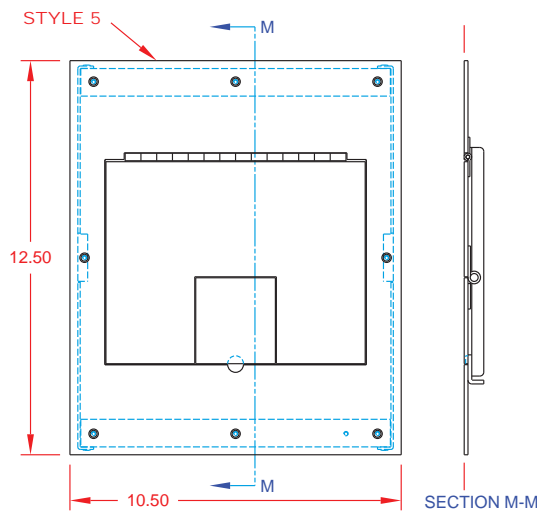
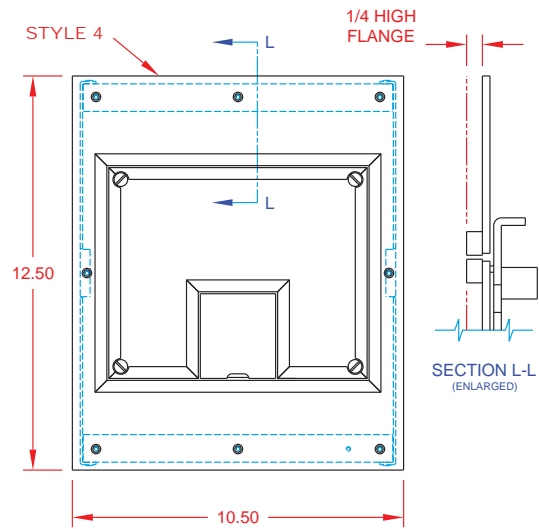
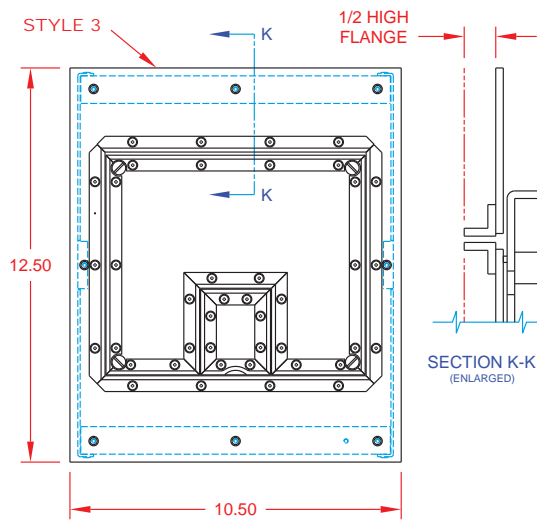
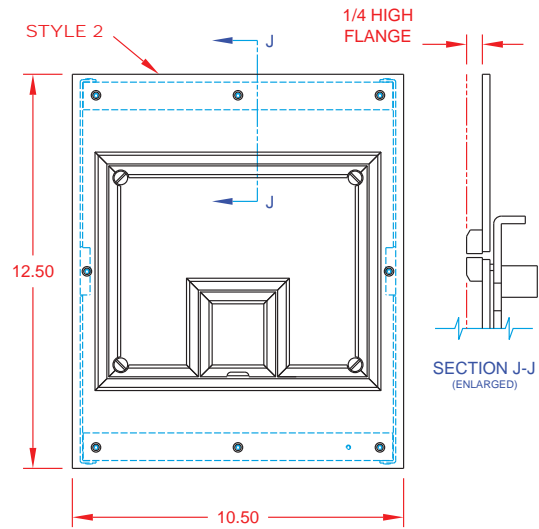
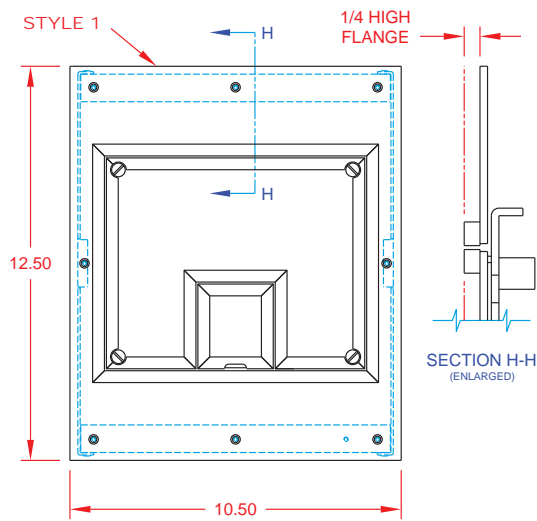
GANG PLATE DIVIDERS
Add and remove as needed to form a multitude of gang arrangement possibilities

CENTER DIVIDERS
Remove to run cables across compartments

COMPARTMENT DIVIDERS
Remove or arrange as needed to isolate compartments
WARNING: Must be used on a compartment where line voltage wiring is present



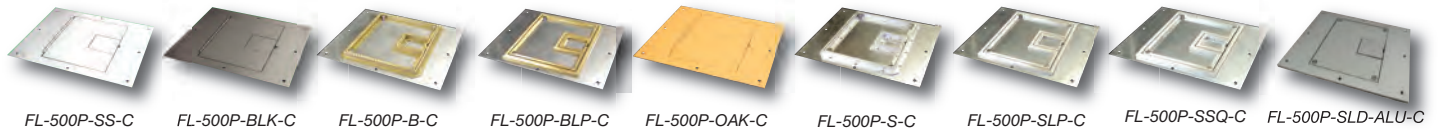
COVER DETAIL DRAWINGS



STYLE	MODEL NUMBER	DESCRIPTION
1	FL-500P-BSQ-C	1/4" BRASS FLANGE
1	FL-500P-SSQ-C	1/4" ALUMINUM FLANGE
2	FL-500P-BLP-C	1/4" BEVELED BRASS FLANGE
2	FL-500P-SLP-C	1/4" BEVELED ALUMINUM FLANGE
3	FL-500P-B-C	1/2" BRASS FLANGE
3	FL-500P-S-C	1/2" ALUMINUM FLANGE
4	FL-500P-PLP-GRY-C	1/4" ALUMINUM FLANGE PAINTED GRAY
4	FL-500P-PLP-CLY-C	1/4" ALUMINUM FLANGE PAINTED CLAY
4	FL-500P-PLP-BLK-C	1/4" ALUMINUM FLANGE PAINTED BLACK

STYLE	MODEL NUMBER	DESCRIPTION
5	FL-500P-BLK-C	NO FLANGE, BLACK SANDEX
5	FL-500P-OAK-C	NO FLANGE, OAK SANDEX
5	FL-500P-SS	NO FLANGE, STAINLESS STEEL
6	FL-500P-SLD-BLK-C	SOLID COVER W/ CABLE EXIT (NO TRIM) BLACK
6	FL-500P-SLD-GRY-C	SOLID COVER W/ CABLE EXIT (NO TRIM) GRAY
6	FL-500P-SLD-CLY-C	SOLID COVER W/ CABLE EXIT (NO TRIM) CLAY
6	FL-500P-SLD-ALU-C	SOLID COVER W/ CABLE EXIT (NO TRIM) ALUM.

COVER OPTIONS



Not all cover color options are pictured. See the ordering table below for additional options.

Floor Box Covers and Back Boxes ordering information

FL-500P – Requires ordering Cover and Back Box separately

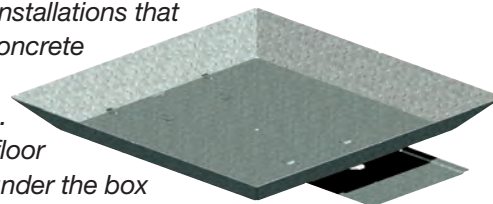
Part #	Description
Covers - UL Scrub Water Rated for Tile and Carpet Installations	
FL-500P-B-C	Cover With 1/2" Brass Carpet Flange (Lift off door)
FL-500P-BLP-C	Cover With 1/4" Brass Carpet Flange (Lift off door)
FL-500P-BSQ-C	Cover With 1/4" Square Brass Flange (Lift off door)
FL-500P-S-C	Cover With 1/2" Aluminum Carpet Flange (Lift off door)
FL-500P-SLP-C	Cover With 1/4" Aluminum Carpet Flange (Lift off door)
FL-500P-SSQ-C	Cover With 1/4" Square Aluminum Flange (Lift off door)
FL-500P-PLP-GRY-C	Cover with 1/4" Painted Carpet Flange - Gray (Lift off door)
FL-500P-PLP-CLY-C	Cover with 1/4" Painted Carpet Flange - Clay (Lift off door)
FL-500P-PLP-BLK-C	Cover with 1/4" Painted Carpet Flange - Black (Lift off door)
Covers - UL Scrub Water Rated - No Carpet Trim	
FL-500P-SLD-BLK-C	Solid Cover w/ Cable Exit (No Trim) Black
FL-500P-SLD-GRY-C	Solid Cover w/ Cable Exit (No Trim) Gray
FL-500P-SLD-CLY-C	Solid Cover w/ Cable Exit (No Trim) Clay
FL-500P-SLD-ALU-C	Solid Cover w/ Cable Exit (No Trim) Aluminum
Covers	
FL-500P-BLK-C	Cover (No Flange) With Hinged Door in Black Sandtex
FL-500P-OAK-C	Cover (No Flange) With Hinged Door in Lt. Oak Sandtex
FL-500P-SS-C	Stainless Steel Cover (No Flange) with Hinged Door
Back boxes - UL Listed - Includes Steel Construction Cover	
FL-500P-2.25-B	FL-500P Back Box - 2.25" Deep (Different Internal Brackets) (Not UL)
FL-500P-3-B	FL-500P Back Box - 3" Deep 4 x 1-Gang Areas
FL-500P-4-B	FL-500P Back Box - 4" Deep
FL-500P-6-B	FL-500P Back Box - 6" Deep
FL-500P-8-B	FL-500P Back Box - 8" Deep
FL-500P-10-B	FL-500P Back Box - 10" Deep
Optional Back Box Brackets	
FL-500P-2.25-Decora	2 Decora Openings (No Divider) Replaces Blank Plate (2.25" Box Only)
FL-P3"-Decora	Decora optional plate (3" box only)
FL-P3"-Duplex	Duplex optional plate (3" box only)
FL-P3"-6IPS	6 IPS optional plate (3" box only)
FL-P3"-Blank	Blank optional plate (3" box only)

POUR PAN ACCESSORY

The FSR Pour Pan is the answer to floor box installations that are on grade. If your application is a poured concrete floor, but the box may rest on soil, rock, gravel, etc., you must first install the Pour Pan.

The Pour Pan is set into the grade below the floor box and allows concrete to flow around and under the box to prevent the floor box from contacting the grade.

The unit comes with extended length leveling feet, and the unique "pan wings" prevent the pan from shifting during the pour.



Specifications are subject to change without notice.



FSR

244 Bergen Boulevard, Woodland Park, NJ 07424

Phone: 973.785.4347 · Fax: 973.785.4207

Web: www.fsrinc.com · E-mail: sales@fsrinc.com LIT1047G