

# WYRESTORM EXPRESS™ HDBASET 4K EXTENDER WITH TWO-WAY IR CONTROL TO 25M/82FT (1080P TO 50M/164FT)

EXP-EX-HDBT-50



The WyreStorm EXP-EX-HDBT-50 extender set features Class B HDBaseT technology for an even more affordable HDBaseT extender solution over shorter distances up to 50m/164ft.

Designed for smaller projects that may not require the feature set of full HDBaseT yet still benefit from the signal stability and functions offered by this powerful technology, the EXP-EX-HDBT-50 extender comprises of a transmitter and receiver to distribute full, uncompressed HD and UHD video, HD multichannel audio with bidirectional IR control over distances of up to 25m/82ft @ 4K or 50m/164ft @ 1080p HD using a single shielded or unshielded Cat5e/6 cable.

## KEY FEATURES

- HDBaseT single Cat5e/6 extenders capable of:
  - 1080p HD @60Hz up to 50m/164ft
  - UHD 4K @30Hz up to 25m/82ft
  - HD multichannel audio
  - Two-way IR control
- EDID Management - manually handles communication between connected devices for improved compatibility
- Supports 3D applications - frame packing/ sequential (Blu-ray) and Interlaced Stereoscopic (satellite/cable) broadcasts
- Supports 36bit Deep Color @1080p, 24bit True Color @ 4K
- Cable termination follows IEEE-568B standards
- HDCP 2.2 compliant
- Automatically adjusts feedback, equalisation and amplification of signal for easy installation.
- LED indication for visual power and HDMI / HDBaseT video signal status.

## IN THE BOX

1 x WyreStorm EXP-EX-HDBT-50 Transmitter  
1 x WyreStorm EXP-EX-HDBT-50 Receiver  
1 x Printed Quickstart guide\*  
2 x pairs of mounting brackets  
2 x 5V DC power supply

2 x IR emitter for IR control of source device from display zone  
2 x IR receiver to receive IR control signals at display.  
(IR frequency range: 940nm IR Frequency: 38-56KHz)

\*Quickstart and full manual downloadable from product page at [wyrestorm.com](http://wyrestorm.com)



US OFFICE:

TEL: +1 901 384 3575

FAX: +1 901 384 3574

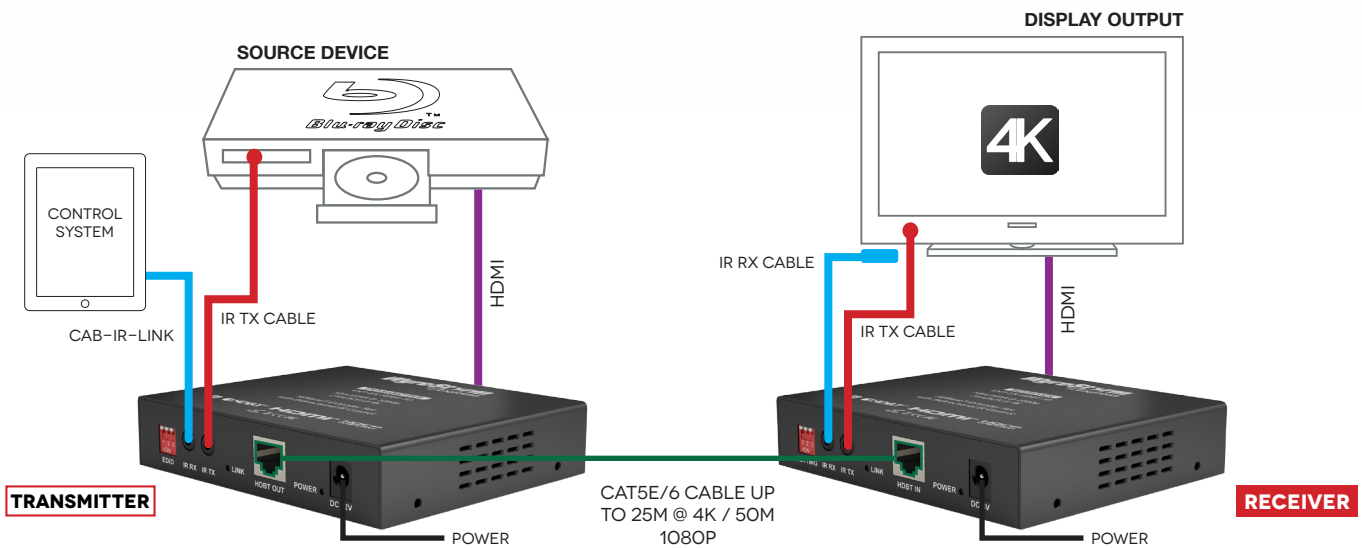
EMEA OFFICE:

TEL: + 44 (0) 1793 230 343

FAX: + 44 (0) 1793 230 583

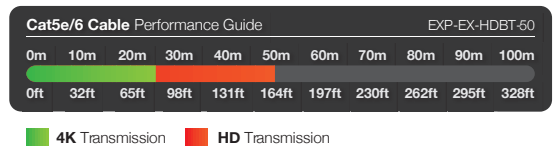
# SPECIFICATIONS

<b>Dimensions (WxHxD):</b>	120mm x 24mm x 101mm /4.72" x 0.94 x 3.97"
<b>Weight (Kg):</b>	0.36Kg / 0.79lb (each)
<b>Operating Temperature Range:</b>	-5 to +35°C (-41 to +95°F)
<b>Operating Humidity Range:</b>	5 to 90 % RH (no condensation)
<b>Video Amplifier Bandwidth:</b>	6.75Gbps
<b>Input Video Signal:</b>	0.5-1.0 volts p-p
<b>Input DDC Signal:</b>	5 volts p-p (TTL)
<b>Maximum Single Link Range:</b>	1920x1200p 36bit Color / 4096x2160p 24bit Color
<b>Transmission Distance:</b>	50m / 164ft (max.) @ 1920x1200p
<b>Video Format Supported:</b>	VESA: 640x480, 800x600, 1024x768, 1280x1024, 1600x1200, 1920x1080, 1920x1200, 3840x2160p (UHD), 4096x2160p (DCI) DTV/HDTV: 480i/576i/480p/576p/720p/1080i/1080p/4Kx2K
<b>Output Video:</b>	HDMI 1.4+ HDCP (Display device mirrors source)
<b>Audio Format Supported:</b>	Dolby TrueHD, DTS Master HD Multi-channel 7.1 / 5.1 Stereo audio (PCM only)
<b>Power Supply:</b>	5V DC - from mains
<b>Power Consumption:</b>	5 Watts (max.)
<b>BTU Rating:</b>	25.59



NOTE: HDMI cable length should not exceed 10m/33ft. HD LED/plasma displays can also be substituted for any other HDMI display device, such as a digital projector or further extended using another WyreStorm extender set featuring alternative transmission such as fiber or UTP/HDBaseT. EXP-EX-HDBT-50 may also be integrated into a larger HDBaseT matrix distribution using HDMI input connectivity.

## WIRING DIAGRAM



WyreStorm Express products include a limited 1 Year manufacturer warranty. Visit [wyrestorm.com](http://wyrestorm.com) for full product details and downloadable materials.

For product installation assistance and troubleshooting, find additional WyreStorm Express product information at [wyrestorm.com](http://wyrestorm.com)

For technical support contact: US: +1 901 384 3575 EMEA: +44 (0) 1793 230 343 EMAIL: [support@wyrestorm.com](mailto:support@wyrestorm.com)