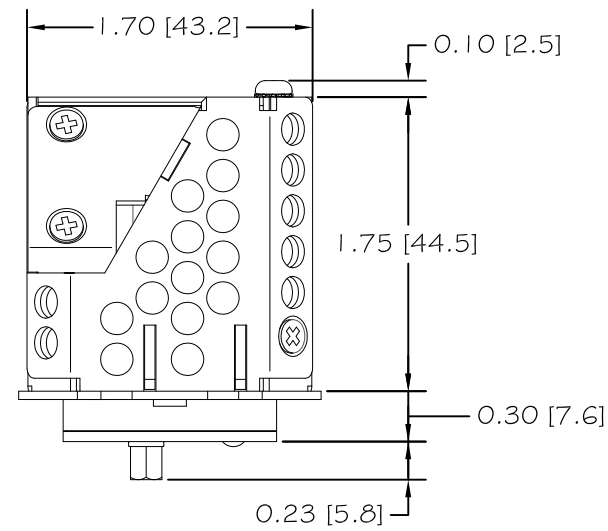
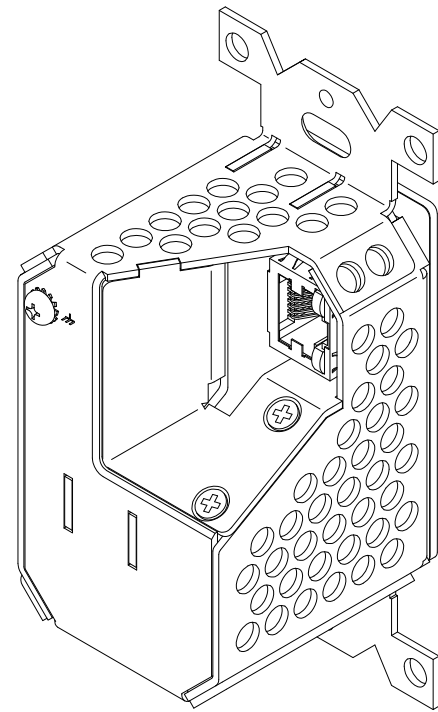
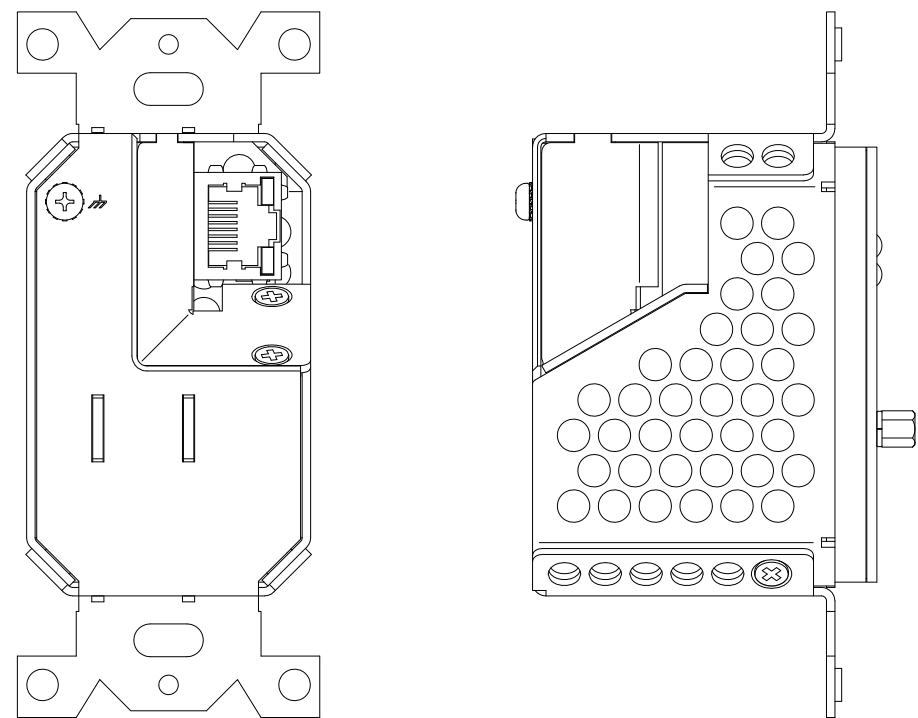
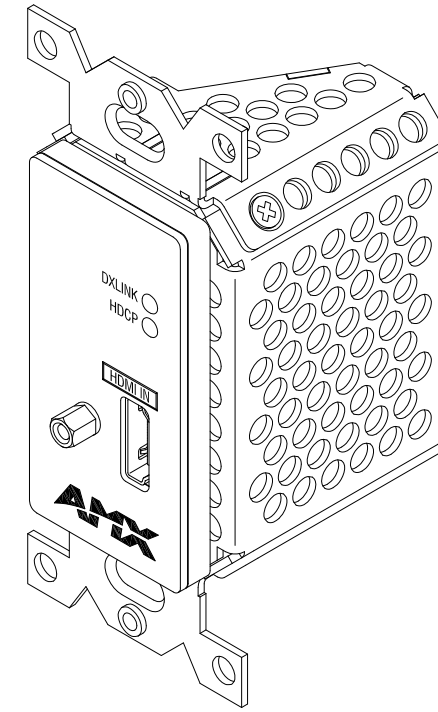


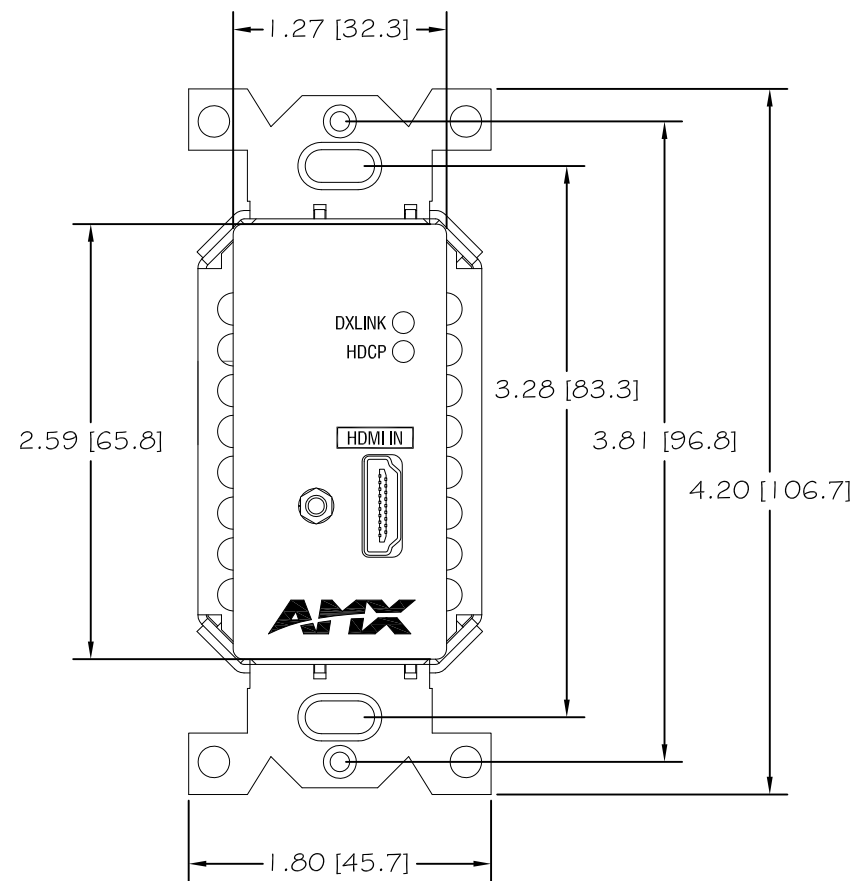
REVISIONS				
REV	ECN	CHANGE DESCRIPTION	DATE	DSNR
A	25002	DRAWING RELEASE	4/6/16	JSH



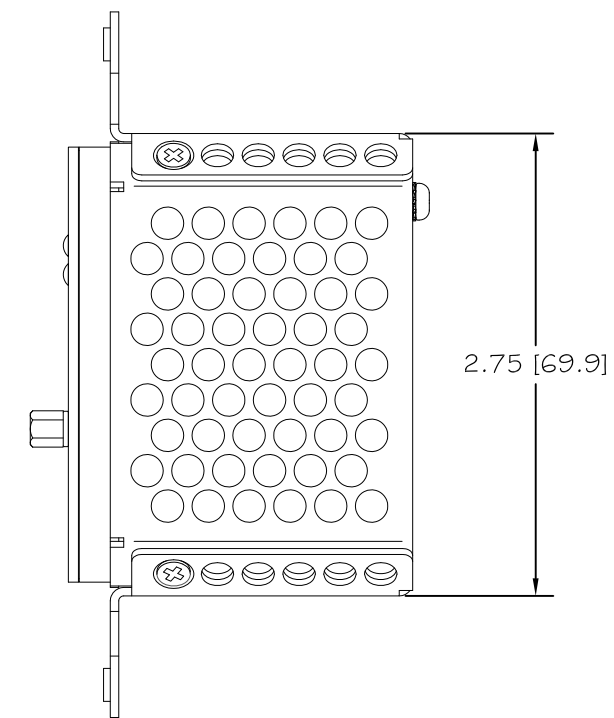
TOP VIEW



BACK VIEW



FRONT VIEW



NOTICE: This drawing is the property of AMX, AutoPatch Group. All information contained herein that is not generally known shall be confidential except to the extent the information has been previously established. This drawing may not be copied, reproduced, or used as the basis for manufacture or sale without written permission.

AMX AMX, AUTOPATCH GROUP
2416 CHENEY-SPOKANE RD.
CHENEY, WA 99004

PICTORIAL, DX-TX-DWP-4K, DXLINK 4K,
HDMI DECOR HDCP TX

SIZE	SCALE	DWG NO.	REV
B	7:8	95-1010-330	A
FILE	95-1010-330_A.DWG	SHEET	1 OF 1