

WIREMOLD®

DEQUORUM™ FLIP-UP TABLE BOXES

Hard-Wired & Cord Ended Versions

FLIP-UP YOUR THINKING



Single-Gang version with brushed aluminum finish



Dual-Gang version with durable black powder coat finish

deQuorum™ Flip-Up Table Boxes bring ready access to power and communications to work surfaces and counter tops. Areas that often need power, like counter tops or table tops, are also prone to spills from liquids. Recognizing that accidents often happen, deQuorum Flip-Up Table Boxes have been designed and rated specifically to perform in these areas.

- **Sleek, attractive design** – Slimmer, lower profile integrates well with table surfaces to enhance conference rooms, meeting rooms, hotel rooms, kitchens, and offices.
- **UL spill water protection** – Exceeds UL1363 standard for relocatable power taps. Eliminates risk of shock or short circuiting due to moisture entering device.
- **Cord ended or hard-wired with Tamper-resistant receptacles** – Meets 2011 NEC Tamper-Resistant requirements. Receptacles feature our patented shutter system that prevents the insertion of foreign objects for safety.
- **USB charging capability** – Duplex 3.1A USB receptacles provide charging capacity for a wide range of mobile devices.
- **Easy open, easy close** – Opens slowly & quietly, without "snapping open."
- **Multiple finishes** – Durable black powder coat and brushed stainless steel finishes blend with most decors.
- **Expanded configuration options** – Accepts full size receptacles which provides expanded custom flexibility. Consult factory for more information.
- **cULus listed** – Meets UL US and Canadian safety standards for Relocatable Power Taps (File E66421, Guide XBY5) and Multitoutlet Assemblies (File E15191, Guide PVGT). Also meets NEC Articles 380 and 406.5(E) for use in counter tops.

designed to be better.™



deQuorum Flip-Up Table Box Part Number Configurator

D Q F

deQuorum Series:

DQF = deQuorum
Flip-Up

—

Wiring Option:

P = Cord Ended
F = Field Wired

— —

Receptacle Amperage:

15 = 15A
20 = 20A

—

USB:

U = USB Receptacle
2A = Communications

— —

Unit Color:

BK = Black
ST = Stainless

— —

Second Gang:

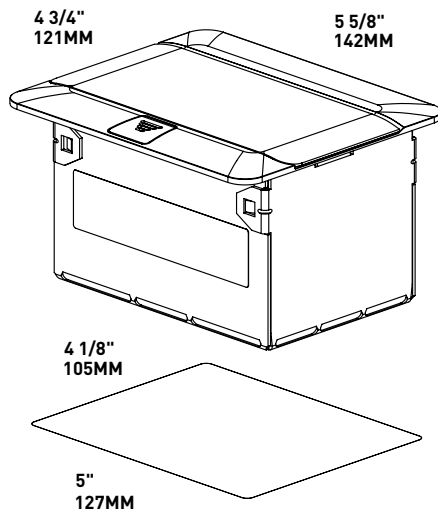
2A = Communications
15 = 15A
20 = 20A
U = USB Receptacle

NOTE: Part Number Configurator can be used both to identify stock product configurations and also to request custom configurations from the factory. Consult the factory for more information.

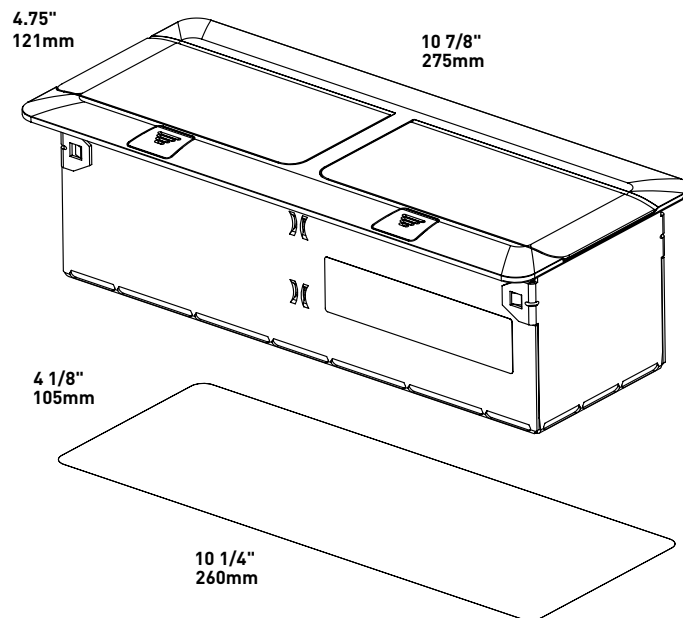
Custom options such as Isolated Grounds, Hospital Grade and Marked Controlled receptacles can be done by request through our Custom Products Group.

Dimensions:

SINGLE-GANG VERSION



DOUBLE-GANG VERSION



©2016 Legrand All Rights Reserved ED1755R1 0316

designed to be better.™



Electrical Wiring Systems

60 Woodlawn Street
West Hartford, CT 06110
1.877.BY.LEGRAND (295.3472)
www.legrand.us

570 Applewood Crescent
Vaughan, Ontario L4K 4B4
905.738.9195
www.legrand.ca

FOLLOW US

