

BYRNE

Byrne HQ™ & Byrne HQ2™

blended.byrne.com



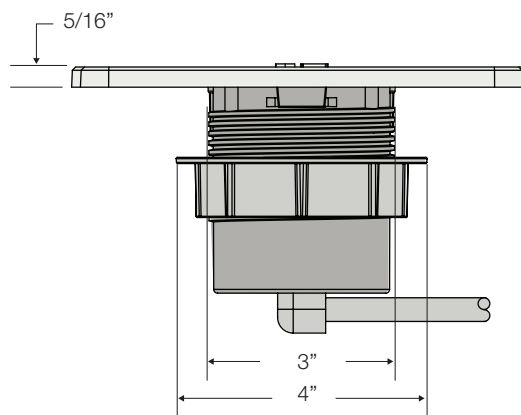
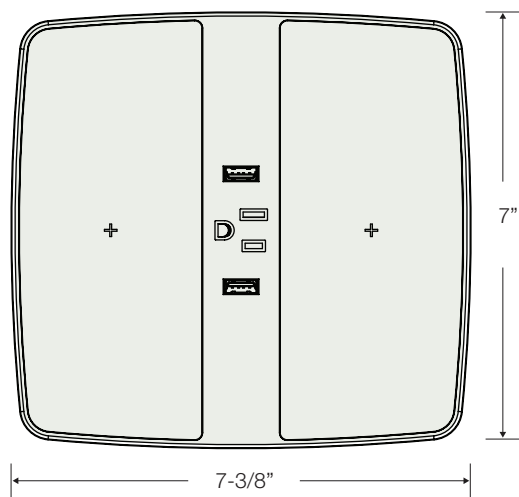
* image shown: double pad configuration (HQ2) in Fog plastic with Fog soft touch inserts

OVERVIEW

Available with a Single Wireless Charging Pad, or Double Wireless Charging Pads - compatible with all Qi-enabled smartphones and devices.

SPECIFICATIONS

* Image depicts the Byrne HQ2



HQ & HQ2

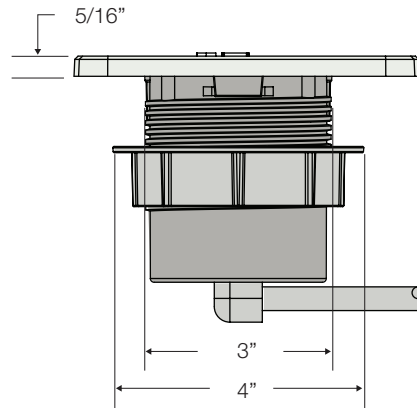
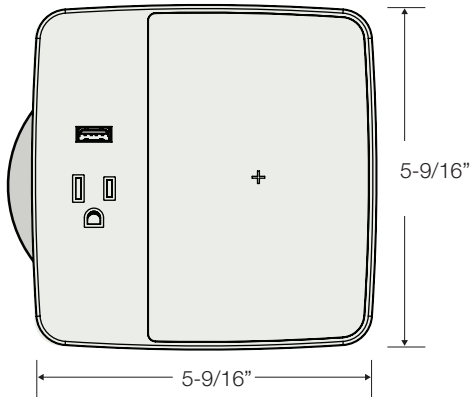
Surface Cut Out

Drill 3" Diameter Hole

Min - Max Surface Depth

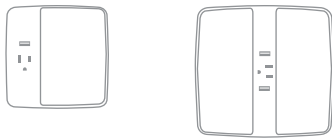
3/4" - 1-1/2"

* Image depicts the HQ



CONFIGURATIONS

Both configurations come with one (15 Amp) power simplex. The double charging pad (HQ2) comes with two (2.1 Amp) USB ports, while the single (HQ) comes with one (2.1 Amp) charging USB port. Each Wireless Charging Pad has one (5 Watt) Charging Coil.



1 Power and 1 USB
1 Wireless Charging Pad or 2

POWER INFEED

UL Listed FCC Compliant

Corded
4-Trac
8-Trac

UL Recognized

Interlink
Interlink IQ 2.0

ETL Listed

Interlink
Interlink IQ 2.0

CODES

NEW YORK

The Corded HQ or HQ2 can be used in New York City, as per the NYC Electrical Code.

CHICAGO

The Corded HQ or HQ2 can be used on Listed freestanding furnishings in Chicago. Limitations apply.

FINISHES

GLOSS PLASTIC



Black

White

Storm

Fog

LEATHER INSERTS



Smoke
Leather

Black
Leather

SOFT TOUCH PLASTIC INSERTS



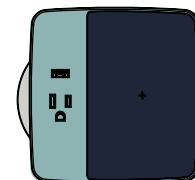
Black

White

Storm

Fog

Colors below represent
different material areas



 Gloss Plastic

 Soft Touch
Plastic or Leather